

FEATURES & BENEFITS

OPTIONS

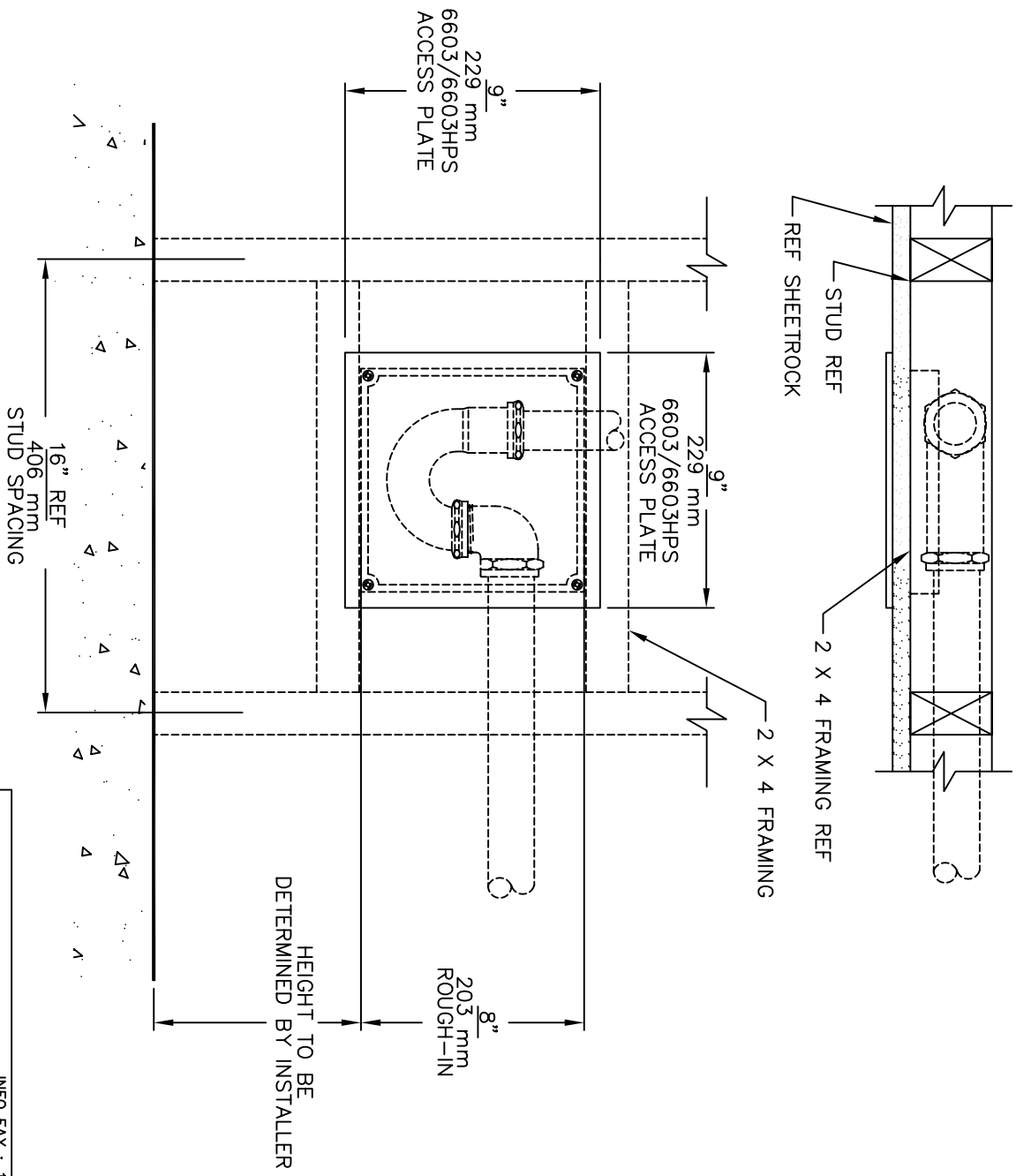
For more information, visit www.hawsc.com or call (888) 640-4297.



SPECIFICATIONS

Model 6603 is a 9" x 9" (22.9 x 22.9 cm) access panel designed to facilitate maintenance by allowing easier access to plumbing behind the wall. It is made of stainless steel with a satin finish and includes frame and screws.

APPLICATIONS



Haws Corporation

INFO FAX : 1-888-FAX-HAWS (1-888-329-4297)

1455 Kiappa Ln, Sparks NV, 89431
 Phone: 775-359-4712 Fax: 775-359-7424
 Haws Ag Building 3 CH-3401, Burgdorf, Switzerland and
 Haws Mfg Pte Ltd 74 Sungai Kodut Loop, Singapore 729531
 e-mail: Haws@hawsco.com Website: www.hawsco.com

| | |
|----------------|---------------------------|
| ORDER NO. | 6603/6603HPS ACCESS PLATE |
| DATE | 06/24/97 |
| SCALE | 1/8" |
| MODEL(S) | 6603/6603HPS ACCESS PLATE |
| INFO FAX DOC # | 26603/26603477 |
| FRAMING TYPE | INSTALLATION/FABRICATION |
| APPROVER | |
| DATE | |
| CHKD | |
| DATE | |
| DESIGNER | |
| DATE | |
| REV | 1 |
| DATE | 06/20/97 |
| BY | 12857000 |
| SCALE | 1/8" |
| SIZE | A |