



model **6458**
Waste Strainer

FEATURES & BENEFITS

OPTIONS

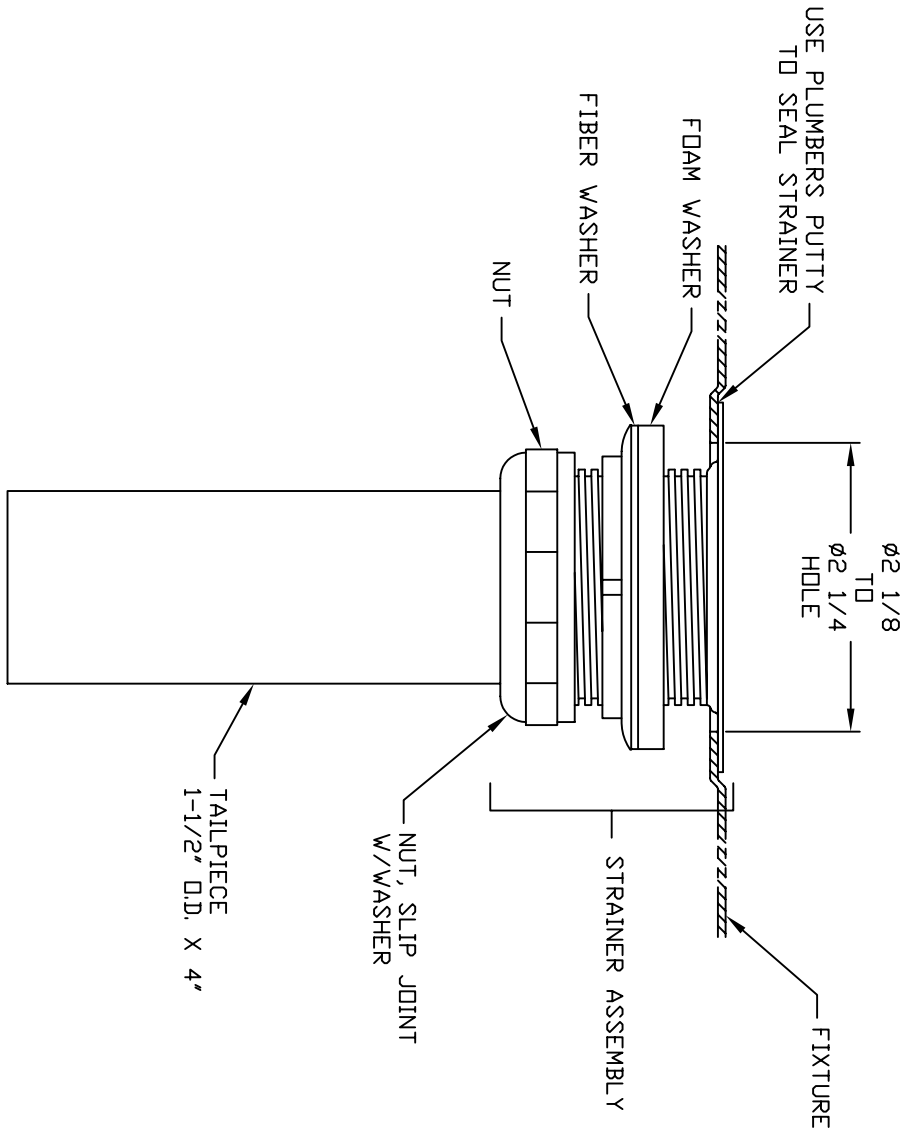
For more information, visit www.hawesco.com or call (888) 640-4297.




SPECIFICATIONS

Model 6458 is a polished chrome-plated brass flat waste strainer with grid, washer, locknut and slipjoint tailpiece. Dimensions: flange dia, 3" (7.6 cm) fits all 2" (5.1 cm) drain holes; 1-1/2" O.D. (3.8 cm) slipjoint tailpiece x 4" (10.2 cm) long.

APPLICATIONS



MODEL 6458

		INFO FAX : 1-888-FAX-HAWS (1-888-329-4297)	
1455 Kleppe Ln, Sparks NY, 89431		Phone: 775-359-4712 Fax: 775-359-7424	
Home Ag Building 3 CH-3401, Burgdorf, Switzerland		Home Ag Building 3 CH-3401, Burgdorf, Switzerland	
e-mail: Haws@haws.com		e-mail: Haws@haws.com	
website: www.haws.com		website: www.haws.com	
DATE: 3/28/00	TITLE: WASTE STRAINER	MODEL: 6458	INFO FAX DOC # 26458
PROJECT:	SCALE: 1:1	DRAWING TYPE:	PART NUMBER: 0002077878
SHEET: 1	OF: 1	DATE: 3/28/00	REV: 1