



model 6450
Waste Strainer

FEATURES & BENEFITS

OPTIONS

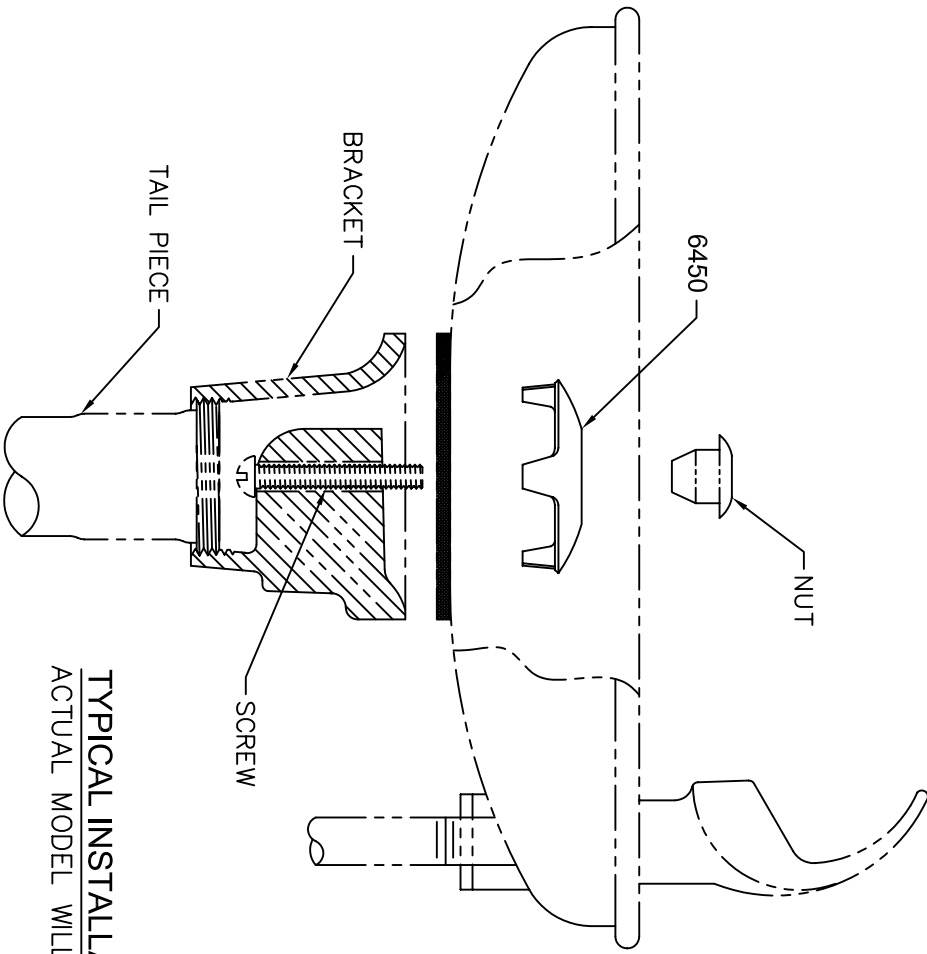
For more information, visit www.hawso.com or call (888) 640-4297.



SPECIFICATIONS

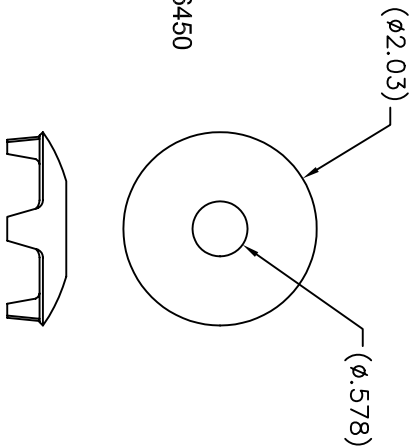
Model 6450 is a polished stainless steel waste strainer for some Haws drinking fountain receptors and combination emergency shower & eyewash units. 2" (5.1 cm) diameter with 9/16" (1.4 cm) center mounting hole.

APPLICATIONS



TYPICAL INSTALLATION
 ACTUAL MODEL WILL VARY

MODEL 6450



| | | | |
|---|---------------------|---|---------------------|
| Haws | | INFO FAX : 1-888-FAX-HAWS (1-888-329-4297) | |
| CORPORATION | | 1455 Kluge Ln, Sparks NV, 89431 | |
| Haws Corporation | | Phone: 775-339-3339 Fax: 775-339-7104 | |
| Haws Mfg. Pte Ltd 74 Sungai Kudat Loop Singapore 729531 | | Haws Mfg. Pte Ltd 74 Sungai Kudat Loop Singapore 729531 | |
| ✉-mail: Haws@hawsco.com | | ✉-mail: Haws@hawsco.com | |
| www.hawsco.com | | www.hawsco.com | |
| PART NUMBER | | PART NUMBER | |
| REV. 372 | DATE | REV. 372 | DATE |
| 12/06/98 | MODEL: 6450 | 12/06/98 | MODEL: 6450 |
| SCALE: 1:2 | INFO FAX DOC # 6450 | SCALE: 1:2 | INFO FAX DOC # 6450 |
| DRAWING TYPE: INSTALLATION/ASSEMBLY | | DRAWING TYPE: INSTALLATION/ASSEMBLY | |
| REV. A | REV. 1 | REV. A | REV. 1 |