



model 6252EHLF

Faucet Valve

FEATURES & BENEFITS

VALVE

Solid lead-free brass construction combined with an extended lever handle makes this valve the perfect bib faucet for most outdoor applications.

OPTIONS

- Valve Repair Kit: Model 5800VRKT valve repair kit contains a bearing set, gland packing, spring washer, spring, renew seat, seat washer, seat o-ring, bonnet washers and bottom cap washer. For repair of many lever handle valves. Used on models from 2005 and newer.

For more information, visit www.hawsc.com or call (888) 640-4297.



SPECIFICATIONS

Model 6252EHLF is a brass self-closing plain end lead-free faucet with an extended lever handle which operates with less than 3.5 push pounds (1.6 kg), and has a 1/2" NPT inlet.

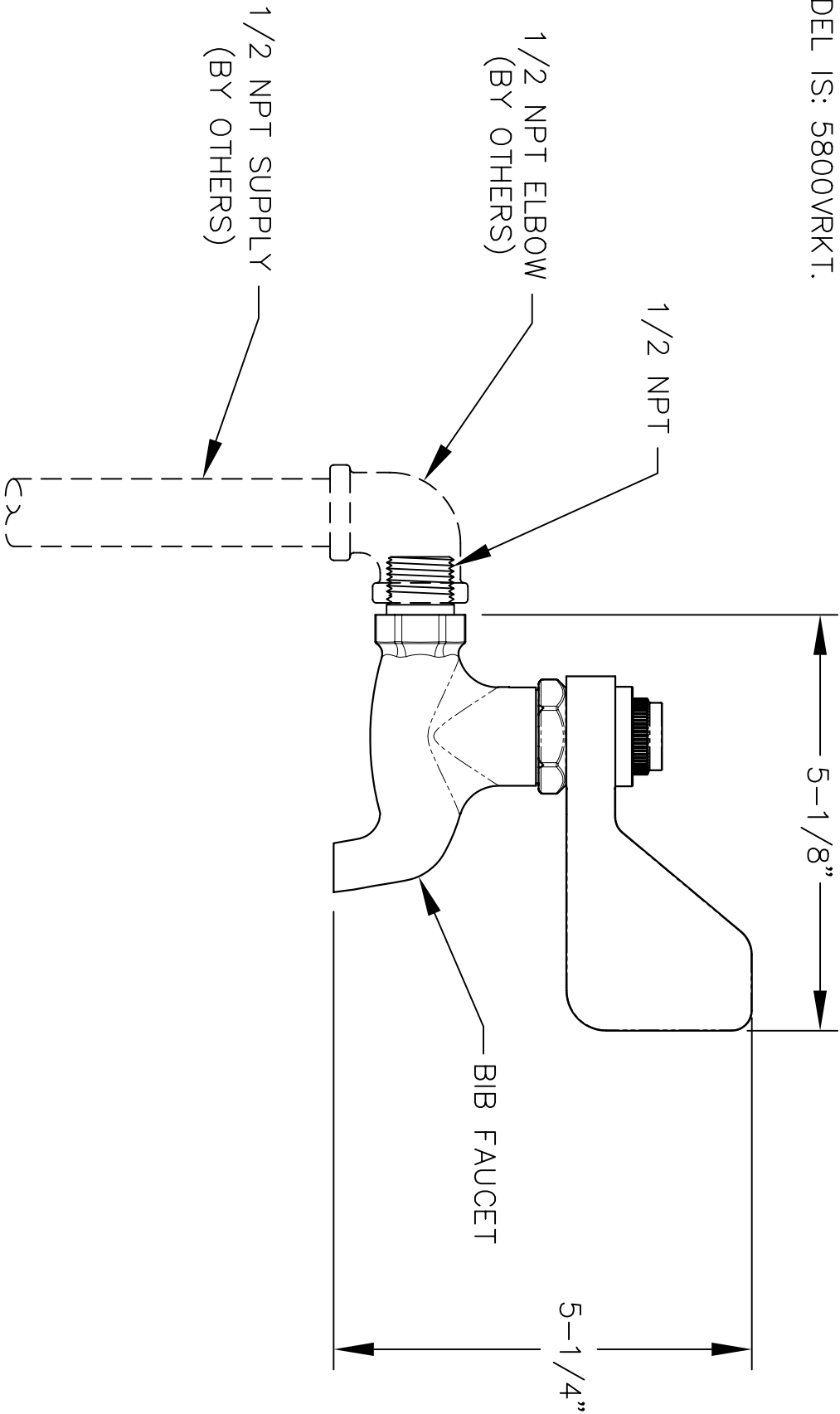
APPLICATIONS

Perfect for either public or private indoor/outdoor settings, the 6252EHLF is a great fit in areas where a more powerful water source is needed. Specifically, this type of horizontally mounted bib faucet may be placed in settings such as: schools, campgrounds, restaurants, pool or beach areas, and other facilities where the need for a source of water is present. Haws manufactures drinking fountains, faucets and electric water coolers to be lead-free by all known definitions including NSF/ANSI/CAN 61-Section 9, NSF/ANSI/ CAN 372, California Proposition 65, and the Federal Safe Drinking Water Act. Product is compliant to California Health and Safety Code 116875 (AB 1953-2006), and NSF/ ANSI/CAN 61: Q ≤ 1.



NOTES:

1. THE HANDLE/STEM REPAIR KIT FOR THIS MODEL IS: 6252HST.
2. THE VALVE REPAIR KIT FOR THIS MODEL IS: 5800VRKT.



Haws Corporation		INFO FAX : 1-888-FAX-HAWS (1-888-329-4297) 1455 Kieppe Ln, Sparks NV, 89431 Phone: 775-359-4712 Fax: 775-359-7424 Haws Ag Bachweg 3 CH-3401 Burgdorf Switzerland Haws Mfg Pte Ltd 74 Sungai Kodut Loop Singapore 729531 e-mail: Haws@hawsco.com website: www.hawsco.com	
FOR NO.	REVISION	DATE	SCALE
6252EHLF	1/2	1/2	1/2
DO	DATE	SCALE	TYPE
10/96	1/2	1/2	INSTALLATION/REWORK
APPROVED	DATE	SCALE	TYPE
10/96	1/2	1/2	INSTALLATION/REWORK
PART NUMBER: 0002077575		REV: 4	
DRAWING NUMBER: 12648A00		REV: 4	
SIZE: A		SHT: 1 OF 1	