



model **5815**  
Check Valve

## FEATURES & BENEFITS

---

## OPTIONS

---

For more information, visit [www.hawsc.com](http://www.hawsc.com) or call (888) 640-4297.



## SPECIFICATIONS

---

Model 5815 is a lead-free plastic check valve. Connection is 1/4" NPT inlet and outlet.

## APPLICATIONS

---

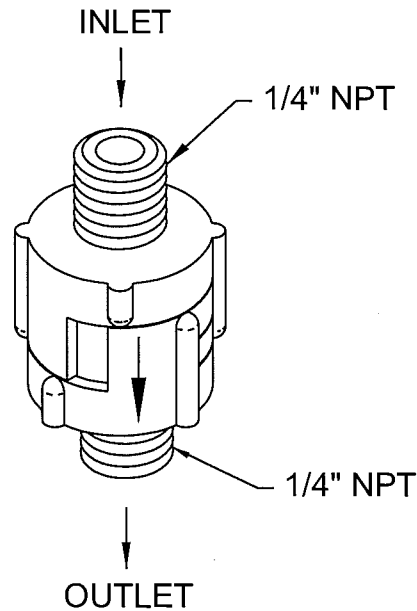
Product is compliant to California Health and Safety Code 116875 (AB 1953-2006).

### SERVICING INSTRUCTIONS


IF VALVE IS NOT DRAINING PROPERLY, MAKE SURE VALVE IS FREE OF DEBRIS AND OBSTRUCTIONS. REPLACE IF CRACKED OR DAMAGED.

IF INSTALLING THIS CHECK VALVE INTO AN OLDER UNIT WITH 1/8" NPT CONNECTIONS, NSF-61 LISTED ADAPTERS WILL BE NEEDED. ADAPTER CONFIGURATION REQUIRED: 1/8" NPT (M) X 1/4" NPT (F)

NOTE FLOW DIRECTION ARROW, BE SURE TO INSTALL CORRECTLY.



5815 CHECK VALVE

		<b>Haws</b> <sup>®</sup>		1455 KLEPPE LANE SPARKS, NEVADA 89431 (775) 359-4712 FAX (775) 359-7424 E-MAIL: HAWS@HAWSCO.COM WEBSITE: WWW.HAWSCO.COM	
				ECN NO. REVISED PER BY: MODEL(S) ECN: 4415 PKN 5815	PART NUMBER: 0002077513
DRAWN: P. NORBERG APPROVED: <i>[Signature]</i>	DATE: 07-09-10 DATE: <i>[Signature]</i>	CHECKED: <i>[Signature]</i> DATE: <i>[Signature]</i>	CHECK VALVE, 1/4" NPT SCALE: N/A	DRAWING NO.: 16027A REV: 0	DRAWING TYPE: INSTALLATION SIZE: A SHEET 1 OF 1