

## FEATURES & BENEFITS

---

### VALVE

Polished chrome-plated, lead-free brass, lever handle self-closing valve features automatic pressure compensation stream control.

### QUALITY

Gooseneck valve is pre-built and fully water and pressure tested to ensure no leaks and proper function for reduced installation time and added peace of mind.

## OPTIONS

---

For more information, visit [www.hawsco.com](http://www.hawsco.com) or call (888) 640-4297.



## SPECIFICATIONS

---

Model 5452LF is a polished chrome-plated brass lever handle, self-closing gooseneck faucet with a vandal-resistant .5 gpm (1.9 L) aerator, vandal-resistant lock pin, and 1/2" O.D. (1.3 cm) slip-joint inlet.

## APPLICATIONS

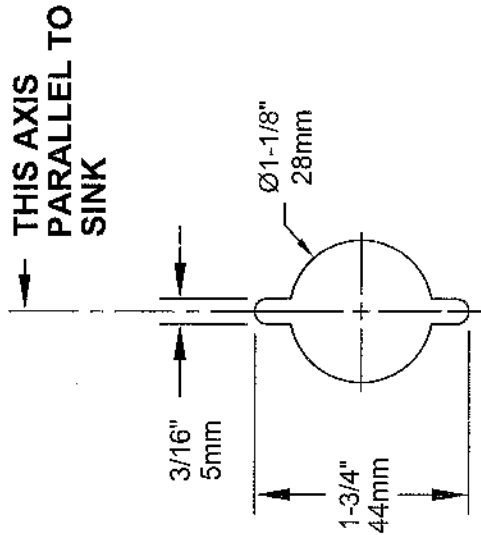
---

Perfect for either public or private indoor settings, the 5452LF is a great fit in areas where a sink is present. Specifically, this type of deck mounted glass-filler faucet may be placed in settings such as: schools, classrooms, laboratories, restaurants, and other facilities where the need for a deck mounted source of water is present. Haws manufactures drinking fountains, faucets and electric water coolers to be lead-free by all known definitions including NSF/ANSI/CAN 61-Section 9, NSF/ANSI/CAN 372, California Proposition 65, and the Federal Safe Drinking Water Act. Product is compliant to California Health and Safety Code 116875 (AB 1953-2006), and NSF/ANSI/CAN 61: Q ≤ 1.

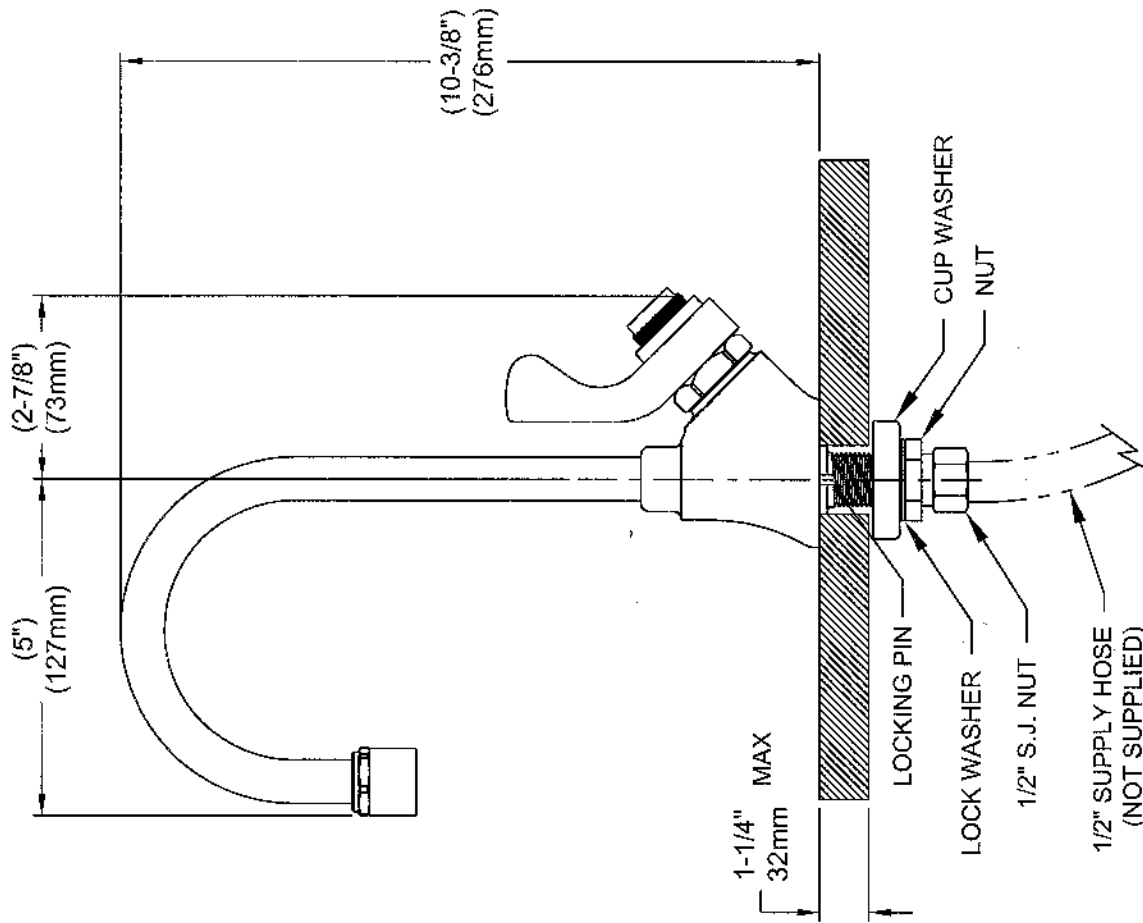
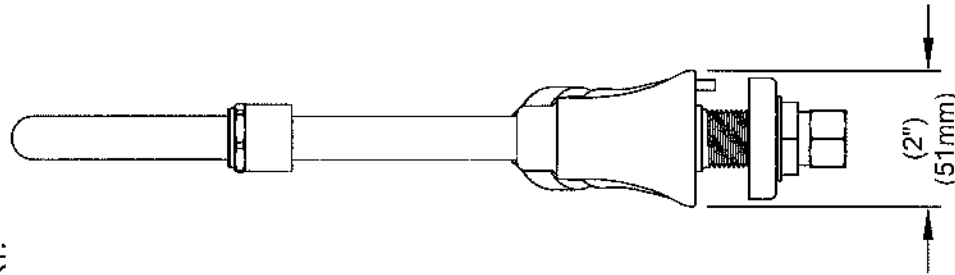
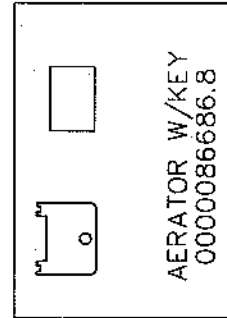
THIS DOCUMENT IS TRUE AND CORRECT AT TIME OF PUBLICATION. CONTINUED PRODUCT IMPROVEMENTS MAKE SPECIFICATIONS AND MEASUREMENTS SUBJECT TO CHANGE WITHOUT NOTICE.

**NOTES:**

1. BE SURE INDEXING PINS ARE INSTALLED AND ORIENTED TO ACCOMMODATE YOUR DESIRED MOUNTING.
2. THE HANDLE/STEM REPAIR KIT FOR THIS MODEL IS: 5452HST.
3. THE VALVE REPAIR KIT FOR THIS MODEL IS: 5800VRKT.



**MOUNTING HOLE**



**Haws**

1455 KLEPPE LANE  
SPARKS, NEVADA 89431  
(775) 365-4712 FAX (756) 365-7424  
E-MAIL: HAWS@HAWS.CO.COM  
WEBSITE: WWW.HAWS.CO.COM

1455 KLEPPE LANE  
SPARKS, NEVADA 89431  
(775) 365-4712 FAX (756) 365-7424  
E-MAIL: HAWS@HAWS.CO.COM  
WEBSITE: WWW.HAWS.CO.COM

ENGINEER: [Signature] DATE: 12/15/12  
DRAWN: [Signature] DATE: 12/15/12  
DO: 387  
APPROVED: [Signature] DATE: 12/15/12

SCALE: 12  
DRAWING TYPE: INSTALLATION

MODEL(S): 5452LF  
PART NUMBER: 0002074495  
DRAWING NO.: 12933ADD  
REV: 5

1455 KLEPPE LANE  
SPARKS, NEVADA 89431  
(775) 365-4712 FAX (756) 365-7424  
E-MAIL: HAWS@HAWS.CO.COM  
WEBSITE: WWW.HAWS.CO.COM

**REPLACEMENT PARTS AVAILABLE**