



model 5010.6427SS  
Drinking Faucet

## FEATURES & BENEFITS

### BUBBLER VALVE

Polished stainless steel cartridge valve which allows for top access stream adjustment as well as cartridge and strainer access, and is designed with a shielded, anti-squirt orifice that provides a steady sanitary source of water.

## OPTIONS

For more information, visit [www.hawsc.com](http://www.hawsc.com) or call (888) 640-4297.



## SPECIFICATIONS

Model 5010.6427SS deck or sink mounted bubbler valve shall include a stainless steel push button bubbler valve with a polished finish, integral stream flow regulation, brushed stainless steel deck flange, and 3/8" IPS inlet.

## APPLICATIONS

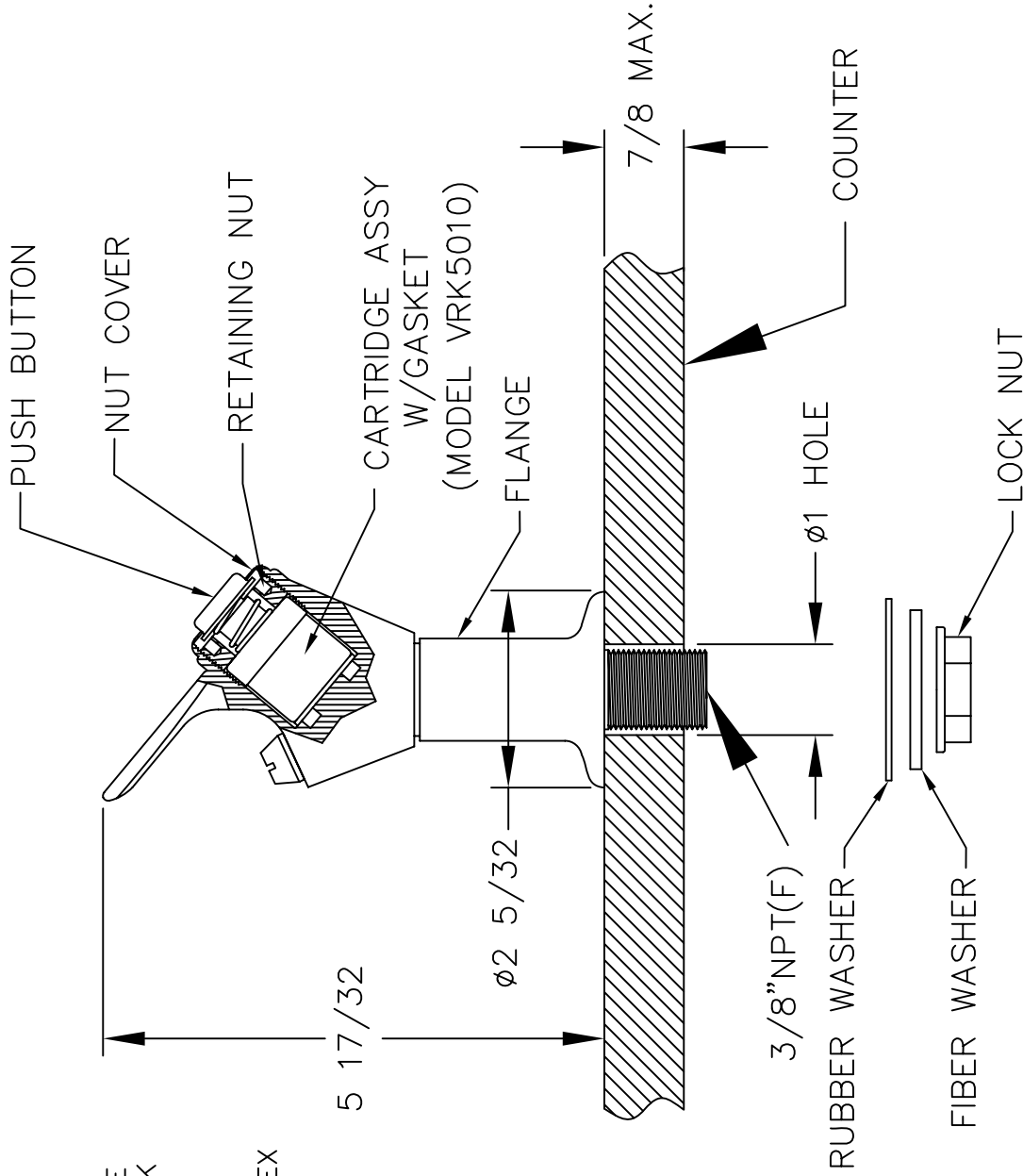
Perfect for either public or private indoor settings, the 5010.6427SS is a great fit in areas where a sink is present. Specifically, this type of vertically mounted drinking faucet may be placed in settings such as: school classrooms, laboratories, and other facilities where the need for a deck mounted sink/faucet is present. Haws manufactures drinking fountains, faucets and electric water coolers to be lead-free by all known definitions including NSF/ANSI/CAN 61- Section 9, NSF/ANSI/CAN 372, California Proposition 65, and the Federal Safe Drinking Water Act. Product is compliant to California Health and Safety Code 116875 (AB 1953-2006), and NSF/ANSI/CAN 61: Q  $\leq$  0.5.




**NOTES:**

TO ADJUST FLOW:

1. REMOVE HEX NUT COVER AND PUSH BUTTON COVER.
2. ADJUST WITH SCREWDRIVER: CLOCKWISE TO INCREASE FLOW & COUNTER-CLOCKWISE TO DECREASE FLOW.
3. IF DESIRED FLOW IS NOT OBTAINED, CLEAN SCREEN AT INLET.
4. REPLACE PUSH BUTTON COVER AND HEX NUT COVER.





**Haws Corporation**

1455 KLEPPE LANE  
SPARKS, NEVADA 89431  
(775) 359-4712 FAX (775) 359-7424  
E-MAIL: HAWS@HAWS.CO.COM  
WEBSITE: WWW.HAWS.CO.COM

|                                 |          |    |                      |
|---------------------------------|----------|----|----------------------|
| REV. NO.                        | DATE     | BY | DESCRIPTION          |
| 0002075000.D                    | 01/14/09 |    | ISSUING CHANGE       |
| 15853A00                        |          |    | REV. 0               |
| DRAWING TYPE: INSTALLATION/BACK |          |    | SIZE: A SHEET 1 OF 1 |

|                 |             |
|-----------------|-------------|
| MODEL(S):       | 5010.6427SS |
| INFO FAX DOC #: | 25010677    |
| SCALE:          | 1:1         |