

## FEATURES & BENEFITS

### **GALVANIZED FINISH**

Tough galvanized coating is ideal for areas where rusting is an issue, and vandalism and graffiti could be present. Due to the galvanizing process, appearance will be a rough, unfinished galvanized surface.

## OPTIONS

- Sink Faucet: Model 5530LF, stay-open hot-and-cold lever handled chrome-plated brass gooseneck faucet.
- Waste Strainer: Model 6455, polished chrome-plated brass flat waste strainer.
- Drinking Faucet: Model 5051LF, polished chrome-plated, self-closing, lever handle, sink or deck mounted bubbler valve with adjustable stream regulation.
- Drinking Faucet : Model 5054LF, lever handle, polished chrome-plated brass deck mounted drinking faucet with automatic stream regulation.

For more information, visit [www.hawsc.com](http://www.hawsc.com) or call (888) 640-4297.



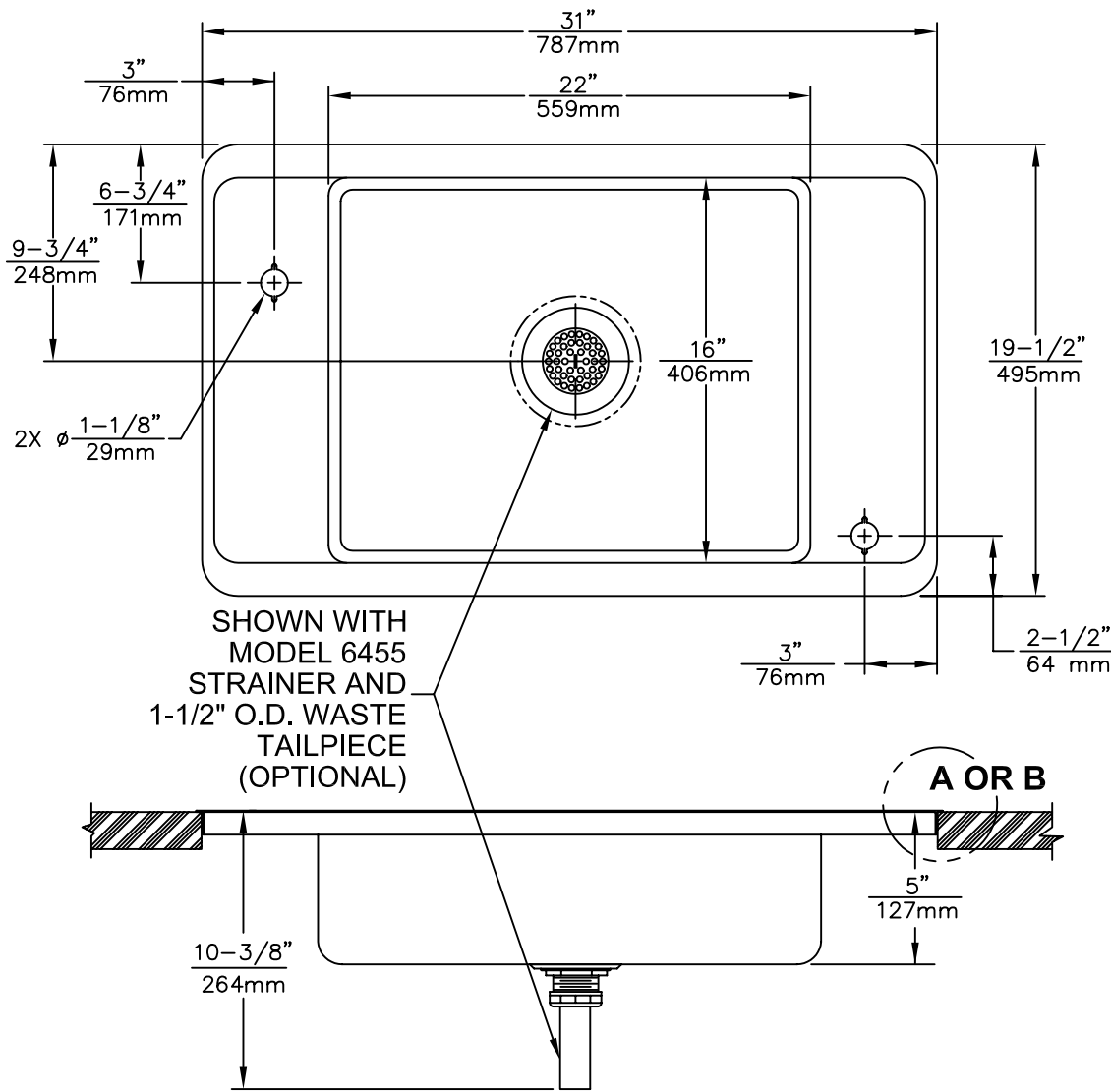
## SPECIFICATIONS

Model 4230 deck mounted sink shall include a Type 304 Stainless Steel satin-finish, 18 gauge stainless steel basin with integral rim and 31" x 19" x 5" (78.7 x 48.2 x 12.7 cm) deep dimensions and barrier-free capabilities when installation guidelines are followed, and two cross-slotted holes to accept faucets.

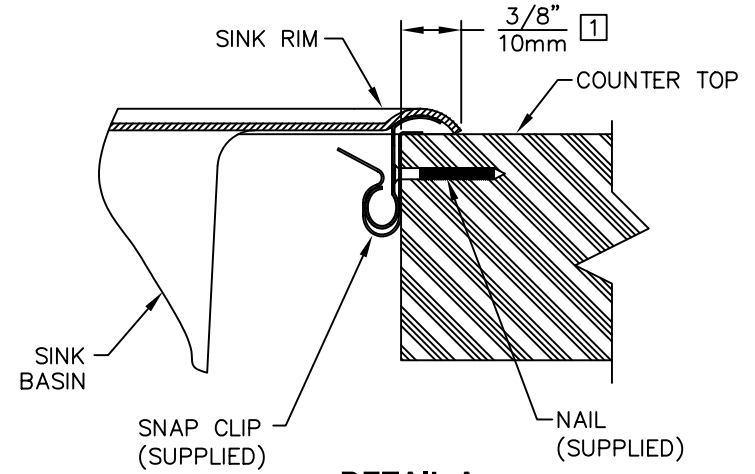
## APPLICATIONS

Perfect for either public or private indoor settings, the 4230 is a great fit in areas where a countertop is the best fit for a drinking faucet/sink mount. Specifically, this type of deck mounted sink may be placed in settings such as: schools classrooms, laboratories, and other facilities where the need for a deck mounted sink/fountain is present. Dual purpose abilities allow the unit to provide multiple functions in one area and not take up excess space. Model meets all current Federal Regulations for the disabled including those in the Americans with Disabilities Act. Haws manufactures drinking fountains and electric water coolers to be lead-free by all known definitions including NSF/ANSI Standard 61, Section 9, NSF/ANSI 372, California Proposition 65, and the Federal Safe Drinking Water Act.

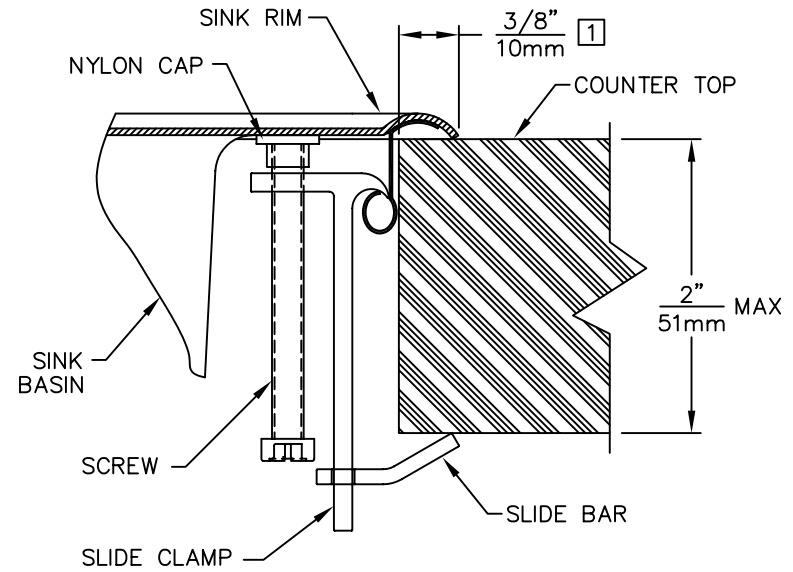
THIS DOCUMENT IS TRUE AND CORRECT AT TIME OF PUBLICATION. CONTINUED PRODUCT IMPROVEMENTS MAKE SPECIFICATIONS AND MEASUREMENTS SUBJECT TO CHANGE WITHOUT NOTICE.



SHOWN WITH  
MODEL 6455  
STRAINER AND  
1-1/2" O.D. WASTE  
TAILPIECE  
(OPTIONAL)



**DETAIL A**  
SNAP CLIP MOUNTING SYSTEM (STANDARD)



**DETAIL B**  
ADJUSTABLE SINK CLAMP MOUNTING SYSTEM  
(OPTIONAL) P/N 0001690117

**NOTE:**  
1 MAKE SURE CUTOUT IS 3/8" LESS THAN SINK RIM AROUND ALL EDGES.  
CAUTION: DO NOT CUT HOLE IN COUNTERTOP UNTIL SINK IS AT HAND.

			1455 KLEPPE LANE SPARKS, NEVADA 89431 (775) 359-4712 FAX (755) 359-7424 E-MAIL: HAWS@HAWS.CO.COM WEBSITE: WWW.HAWS.CO.COM		
			PART NUMBER	0002077511.D	
ECN NO.:	REVISED PER BY:	MODEL(S)	4230		
DRAWN:	DATE:	CHKD.:			
APPROVED:	DATE:	SCALE: 1:8	DRAWING TYPE: INSTALLATION	SIZE: A	SHEET 1 OF 1