



# model 4110ADA

Enameled Iron Deck Sink

## FEATURES & BENEFITS

### CONSTRUCTION

Heavy duty cast iron basin with a glossy white acid-resisting enamel finish is designed for the toughest of applications.

### OPTIONS

- ❑ Drinking Faucet: Model 5051LF, polished chrome-plated, self-closing, lever handle, sink or deck mounted bubbler valve with adjustable stream regulation.
- ❑ Sink Faucet: Model 5452LF, self-closing lever handle, polished chrome-plated brass gooseneck faucet.
- ❑ Drinking Faucet : Model 5054LF, lever handle, polished chrome-plated brass deck mounted drinking faucet with automatic stream regulation.
- ❑ Drinking Faucet: Model 5017LF, polished chrome-plated sink or counter mounted drinking faucet with renewable control cartridge.

For more information, visit [www.hawsc.com](http://www.hawsc.com) or call (888) 640-4297.



## SPECIFICATIONS

Model 4110ADA barrier-free deck mounted sink shall include a white acid-resistant enameled iron 24" x 16" x 5" (61 x 40.6 x 12.7 cm) deep basin with barrier-free capabilities when installation guidelines are followed, two cross-slotted holes to accept faucets, and a stainless steel mounting rim.

## APPLICATIONS

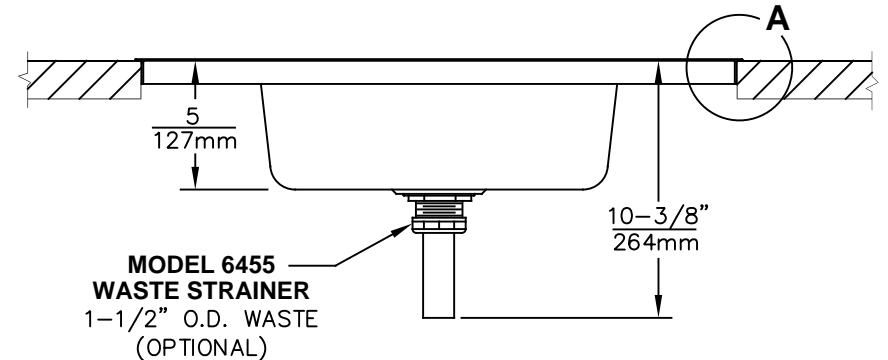
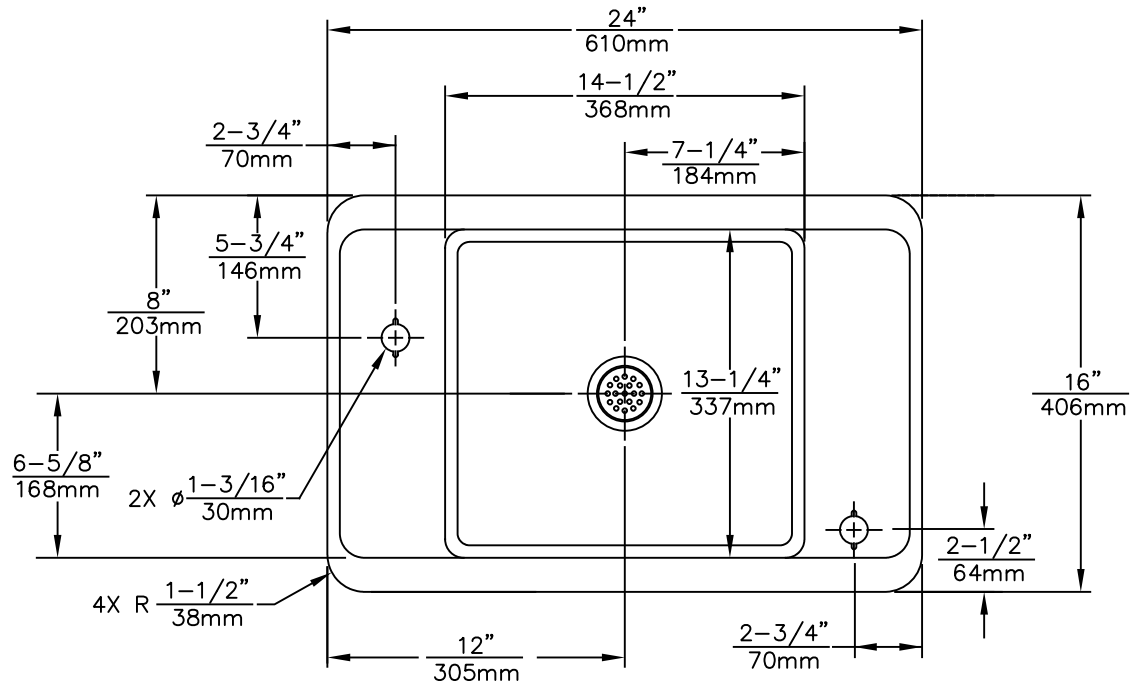
Perfect for either public or private indoor settings, the 4110ADA is a great fit in areas where a countertop is the best fit for a drinking faucet/sink mount. Specifically, this type of deck mounted sink may be placed in settings such as: schools classrooms, laboratories, and other facilities where the need for a deck mounted sink/fountain is present. Dual purpose abilities allow the unit to provide multiple functions in one area and not take up excess space. Model meets all current Federal Regulations for the disabled including those in the Americans with Disabilities Act. Haws manufactures drinking fountains and electric water coolers to be lead-free by all known definitions including NSF/ANSI Standard 61, Section 9, NSF/ANSI 372, California Proposition 65, and the Federal Safe Drinking Water Act.



**NOTES:**

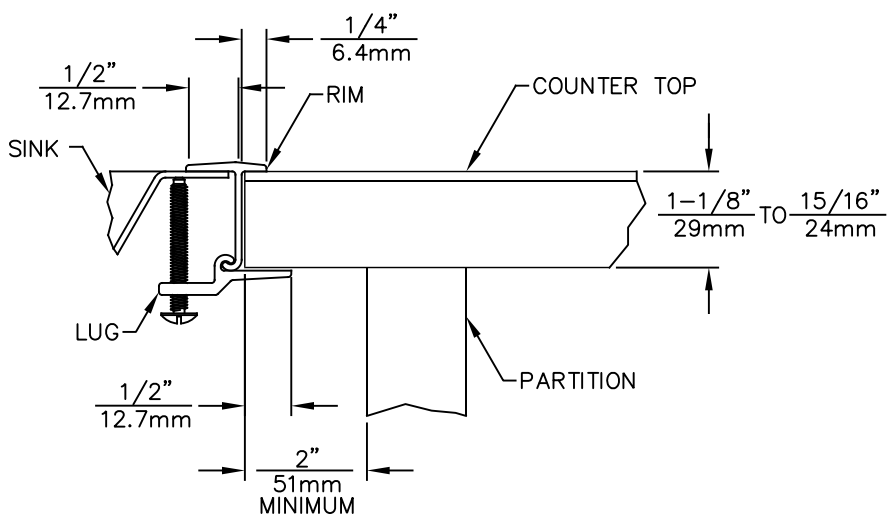
DO NOT CUT HOLES IN COUNTER TOP UNTIL SINK IS AT HAND. SINKS HANG INSIDE COUNTER-TOP CUTOUT; THEY DO NOT OVERLAP EDGE. IN MARKING CUTOUT ON COUNTER, THE MOUNTING RIM IS USED AS THE TEMPLATE, NOT THE SINK. RIM MUST FIT LOOSELY IN THE HOLE, OVERLAPPING BOTH COUNTER AND SINK (SEE VIEW A). CUTOUT SHOULD BE 3/8" (9.5mm) LARGER THAN SINK, ALLOWING A MINIMUM CLEARANCE OF 1/16" (1.6mm) ALL AROUND.

**CAUTION:** VERTICAL PARTITIONS UNDER SINK MUST BE AT LEAST 2" (51mm) AWAY FROM SINK CUTOUT TO ALLOW FOR INSTALLATION OF LUGS TO THE MOUNTING RIM.




**MODEL 6455  
WASTE STRAINER  
1-1/2" O.D. WASTE  
(OPTIONAL)**

**4110ADA**



**VIEW A**  
SCALE: 1/1

		1455 KLEPPE LANE SPARKS, NEVADA 89431 (775) 359-4712 FAX (775) 359-7424 E-MAIL: HAWS@HAWSO.COM WEBSITE: WWW.HAWSO.COM	
		ECN NO. REVISED PER BY: MODEL(S) ECN: 5282 JP	4110ADA
DRAWN: C HAYES APPROVED: FV	DATE: 06/95 DATE: 03/12/18	CHKD.: VWG	REVISION 6
SCALE: 1:8		DRAWING TYPE: INSTALLATION	SHEET 1 OF 1