

FEATURES & BENEFITS

BUBBLER HEAD

Polished chrome-plated brass bubbler heads with integral 5/8" dia. threaded shank for vandal resistant strength, and top-down access for nozzle replacement or water line service, with .45 gpm flow rate.

PUSH BUTTON

Heavy-duty stainless steel with silver powder-coated color finish.

OPTIONS

For more information, visit www.hawsco.com or call (888) 640-4297.



SPECIFICATIONS

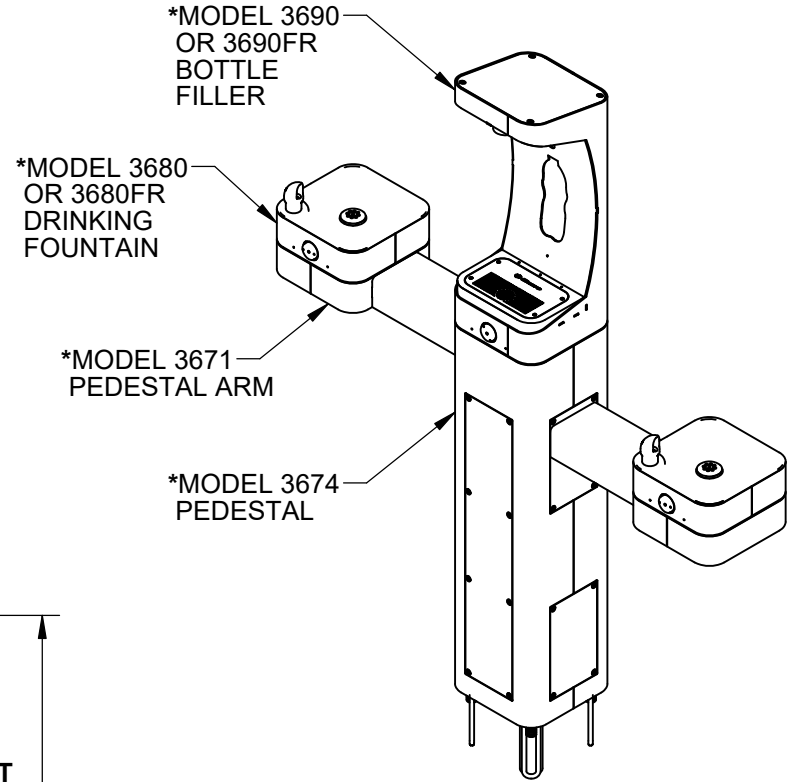
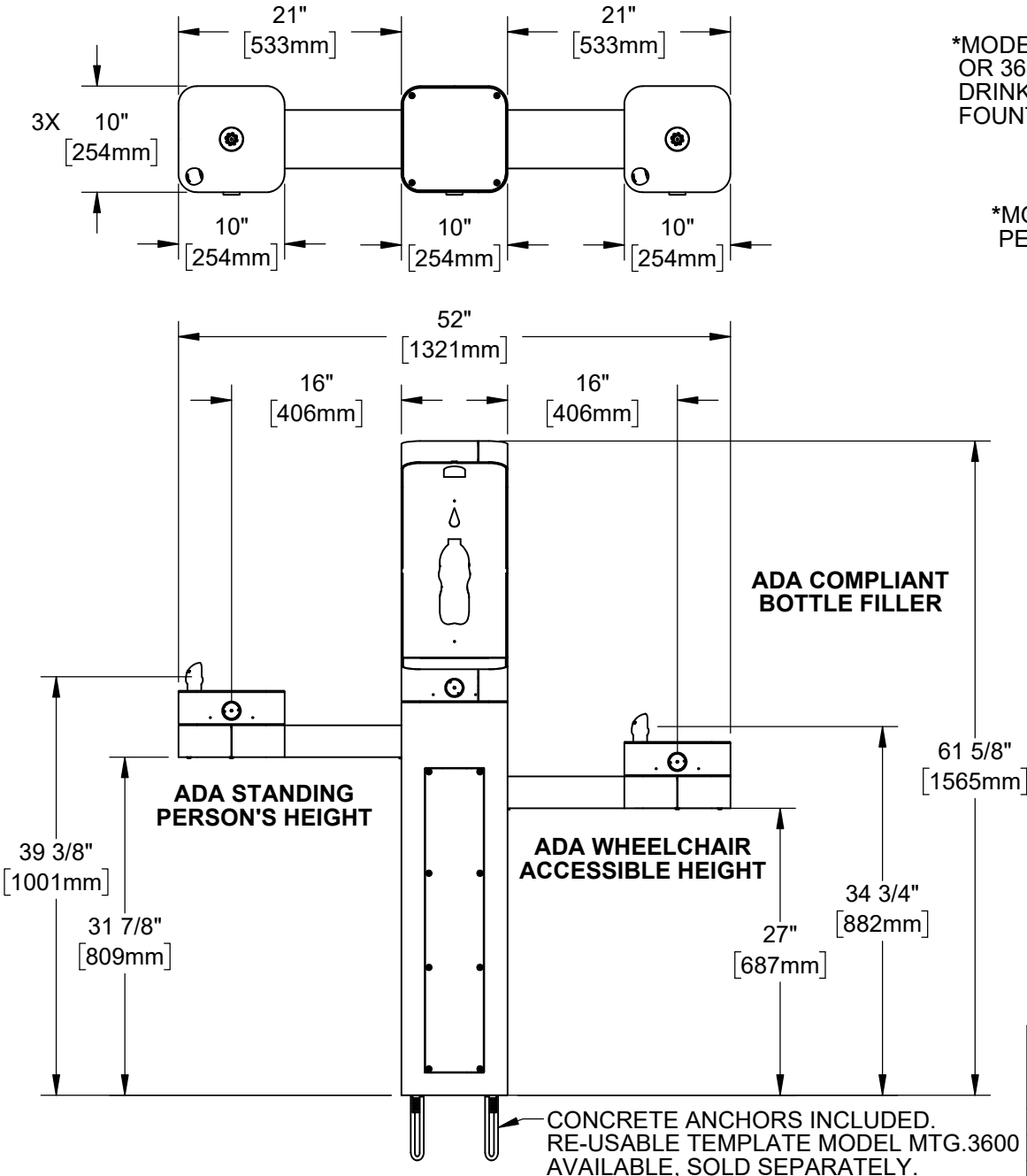
Model 3680FR heavy-duty drinking fountain bowl assembly shall include a heavy-duty 3/16" fabricated stainless steel with silver powder-coated finish, polished chrome-plated brass vandal-resistant shielded bubbler head with integral 5/8" dia. threaded shank and top-down access to renewable nozzle, 100% lead-free waterways, polished chrome-plated vandal-resistant waste strainer with top-down clean-out access. Designed to be used with the Haws 3600 series modular outdoor pedestals.

APPLICATIONS

The 3680FR offers a solution for the changing needs of outdoor settings as well as outdoor wheelchair access, appealing to all users through accessibility and safety. When paired with a 3600 series pedestal, this is ideal in areas such as parks, schools, and other outdoor areas where hydration facilities are needed. Haws manufactures drinking fountains, faucets and electric water coolers to be lead-free by all known definitions including NSF/ANSI/CAN 61- Section 9, NSF/ANSI/CAN 372, California Proposition 65, and the Federal Safe Drinking Water Act. Product is compliant to California Health and Safety Code 116875 (AB 1953-2006), and NSF/ANSI/CAN 61: Q \leq 1.



NOTES:
 1. WHEN INSTALLING THIS UNIT, LOCAL, STATE, OR FEDERAL CODES SHOULD BE ADHERED TO. INSTALL A TRAP IN THE WASTE LINE AND A SCREWDRIVER STOP IN THE SUPPLY LINE IF REQUIRED.



HAWS MODEL 36XX SERIES MODULAR OUTDOOR FOUNTAINS CAN BE FULLY COMPLIANT WITH THE FEDERAL 2010 AMERICANS WITH DISABILITIES ACT (ADA) ACCESSIBILITY REQUIREMENTS WHEN INSTALLED AS SHOWN HERE AND WHEN INSTALLED WITH PROPER CLEARANCES AND ACCESS. LOCATE THE PEDESTAL BASE WITH AT LEAST 8" OF CLEAR UNOBSTRUCTED HARDSCAPE BEHIND THE PEDESTAL. IT IS THE RESPONSIBILITY OF THE INSTALLER TO ADHERE TO LOCAL, STATE, AND FEDERAL CODES WHEN INSTALLING THIS UNIT. DISTANCE TO SURROUNDING OBJECTS, APPROACH SURFACES, ETC. SHOULD BE CONSIDERED.

***MODELS ARE SHOWN ASSEMBLED FOR REFERENCE ONLY. MUST BE PURCHASED SEPARATELY.**

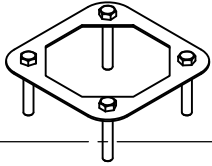


1455 KLEPPE LANE
 SPARKS, NEVADA 89431
 (775) 359-4712 FAX (775) 359-7424
 E-MAIL: HAWS@HAWS.CO.COM
 WEBSITE: WWW.HAWS.CO.COM

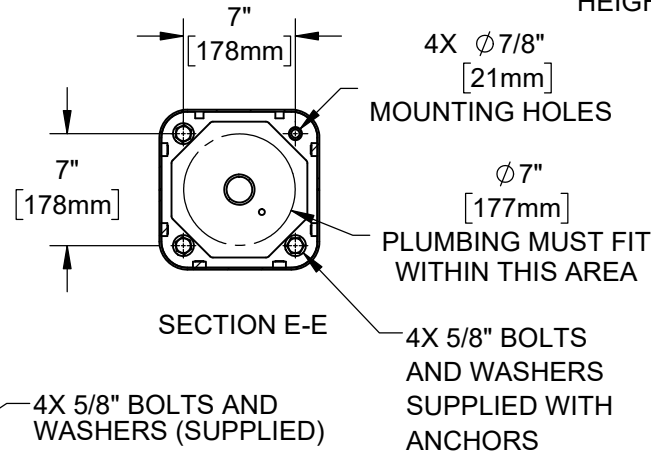
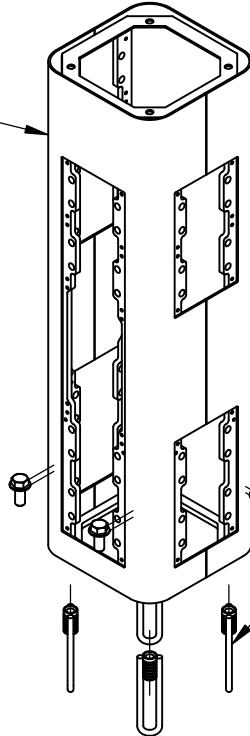
| | | | | |
|--------------|----------------|-------------|---|-------------------------|
| ECN: 5652 | REV. ECN: 5652 | BY: DP | MODEL(S): 3671 / 3674 / 3680 / 3680FR / 3690 / 3690FR | PART NUMBER: 0580001176 |
| DRAWN: DHP | DATE: 6/11/20 | CHKD: FV | | REVISION: 1 |
| APPROVED: FV | DATE: 03/18/21 | SCALE: 1:24 | DRAWING TYPE: INSTALLATION | SHEET 1 OF 7 |

INSTALLATION INSTRUCTIONS

MODEL MTG.3600
(OPTIONAL)
TEMPLATE FOR
SPACING ANCHORS
DURING CONCRETE
POUR



MODEL 3674
PEDESTAL



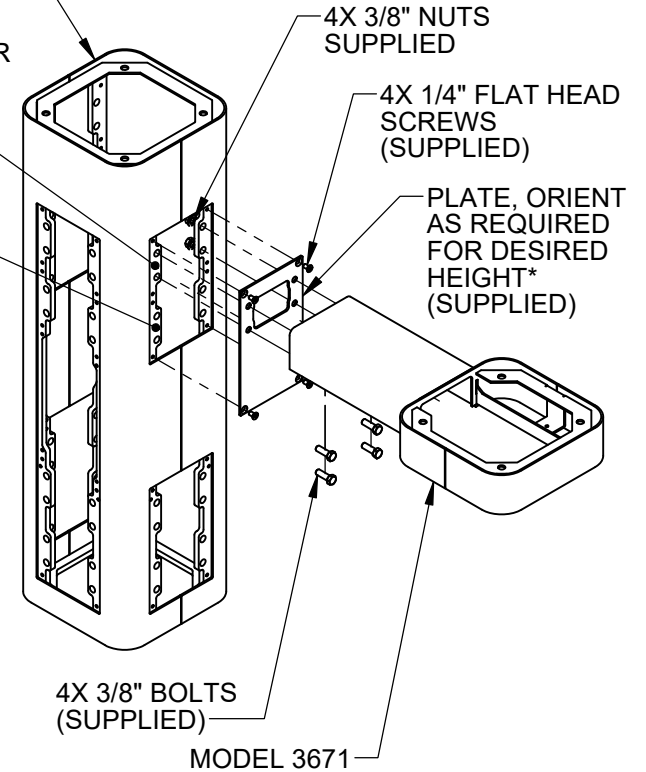
MODEL 3674

MOUNT PEDESTAL TO CONCRETE SLAB IN DESIRED ORIENTATION. SLAB TO BE 30" MINIMUM SQUARE AND 6" MINIMUM THICK (BY OTHERS). PLUMBING CAST IN CONCRETE MUST FIT IN 7" DIAMETER AREA CENTERED UNDER PEDESTAL LOCATION. FOR 36XXFR MODELS, SEE REQUIRED BURY VALVE (NOT SUPPLIED) INSTALLATION REQUIREMENTS ON SHEET 6.

NOTE: ALL PEDESTAL COVER PLATES INCLUDED.

MODEL 3674
(REFERENCE)

*FOUNTAIN AT
ADA WHEELCHAIR
HEIGHT
*FOUNTAIN AT
ADA CHILD
HEIGHT



MODEL 3671 (SHOWN RIGHT SIDE)

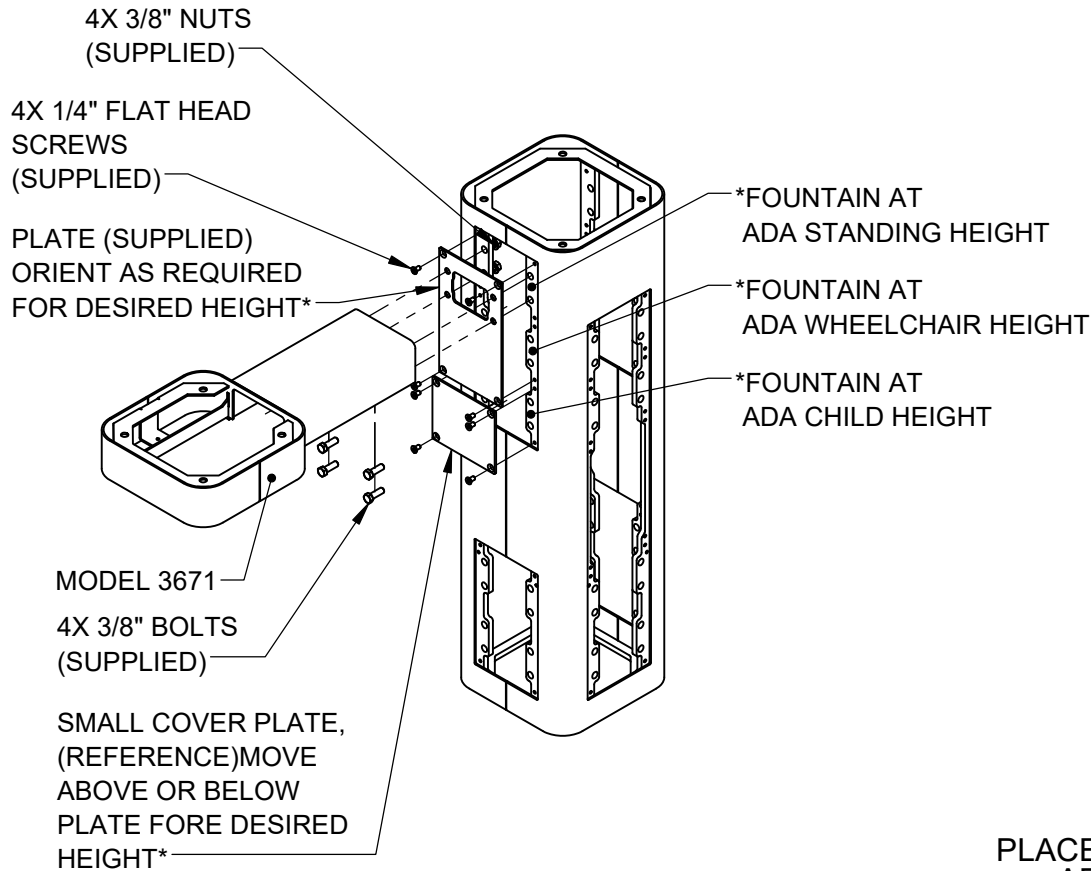
REMOVE BOTTOM COVER PLATES FROM ARM BY REMOVING 3 1/4" BUTTON HEAD SCREWS. INSTALL PEDESTAL ARM ON EITHER SIDE. MOUNTING PLATE CAN BE ORIENTED AS REQUIRED FOR DESIRED FOUNTAIN OR BOTTLE FILLER HEIGHT. USE 1/4" FLAT HEAD SCREWS (SUPPLIED) TO INSTALL PLATE. USE 3/8" BOLTS AND NUTS (SUPPLIED) AND TORQUE TO 18 FT-LBS TO INSTALL ARM.



1455 KLEPPE LANE
SPARKS, NEVADA 89431
(775) 359-4712 FAX (775) 359-7424
E-MAIL: HAWS@HAWS.CO.COM
WEBSITE: WWW.HAWS.CO.COM

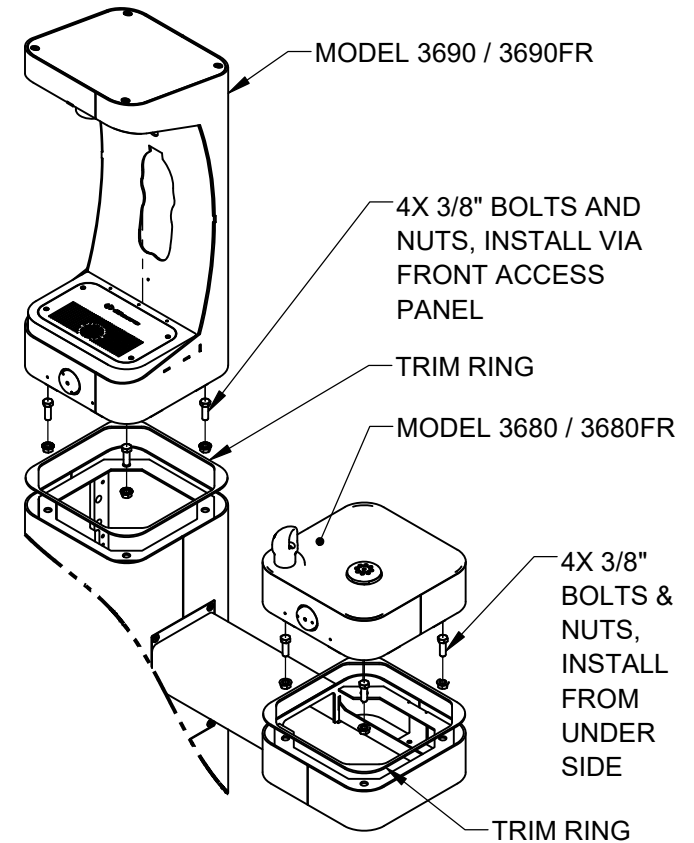
| | | | | |
|-----------------|-------------------|----------------|---|---------------------------|
| ECN: 5652 | REV. ECN: 5652 | BY: DP | MODEL(S) 3671 / 3674 / 3680 / 3680FR / 3690 / 3690FR | PART NUMBER 0580001176 |
| DRAWN: DHP | DATE: 6/11/20 | CHKD: FV | | REVISION 1 |
| APPROVED: FV | DATE: 03/18/21 | SCALE: 1:24 | DRAWING TYPE: INSTALLATION | SIZE: A |

INSTALLATION INSTRUCTIONS




MODEL 3671 (SHOWN LEFT SIDE)

REMOVE BOTTOM COVER PLATES FROM ARM BY REMOVING 3 1/4" BUTTON HEAD SCREWS. INSTALL PEDESTAL ARM ON EITHER SIDE. MOUNTING PLATE CAN BE ORIENTED AS REQUIRED FOR DESIRED FOUNTAIN OR BOTTLE FILLER HEIGHT. USE 1/4" FLAT HEAD SCREWS (SUPPLIED) TO INSTALL PLATE. USE 3/8" BOLTS AND NUTS (SUPPLIED) AND TORQUE TO 18 FT-LBS TO INSTALL ARM.

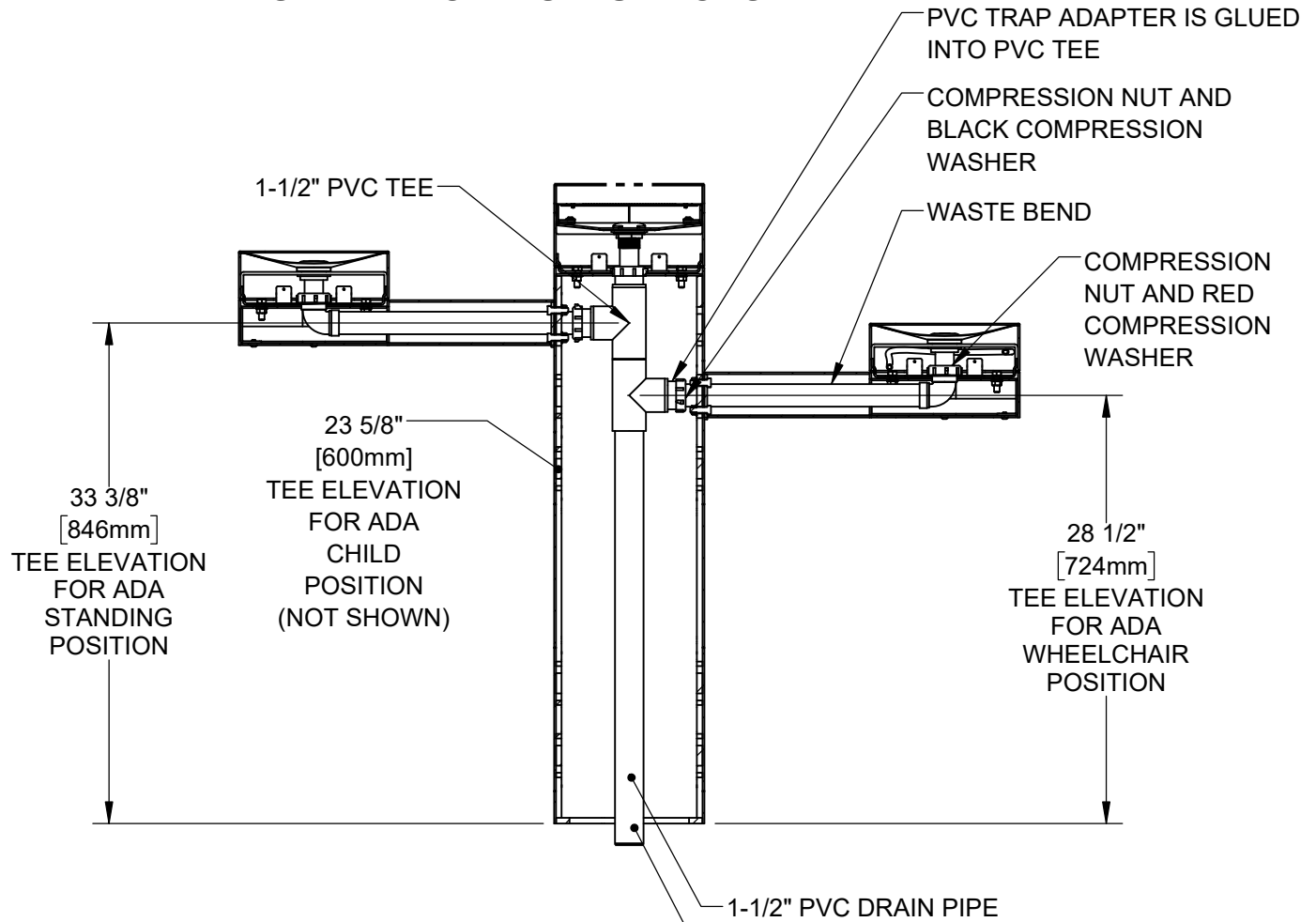


3680 / 3680FR / 3690 / 3690FR

PLACE SUPPLIED SQUARE TRIM RING ON PEDESTAL OR ARM. PLACE MODEL 3680/3680FR FOUNTAIN OR 3690/3690FR BOTTLE FILLER ON PEDESTAL OR ARM(S) ORIENTED AS DESIRED AND SECURE LOOSELY WITH SUPPLIED 3/8" BOLTS AND NUTS AS SHOWN. CAREFULLY CENTER TRIM RING AND MODEL AND TIGHTEN BOLTS/NUTS TO 18 FT-LBS. **NOTE: IT IS POSSIBLE TO ASSEMBLE THESE COMPONENTS SUCH THAT THE RESULT DOES NOT MEET ADA OR OTHER REQUIREMENTS. WHEN INSTALLING THIS UNIT, LOCAL, STATE, OR FEDERAL CODES SHOULD BE ADHERED TO.**


| | | | | | | | | |
|---|---------------|---|----------------|----------------|---|----------------------------|---------|---------------|
|  | | 1455 KLEPPE LANE SPARKS, NEVADA 89431 (775) 359-4712 FAX (775) 359-7424 E-MAIL: HAWS@HAWS.CO.COM WEBSITE: WWW.HAWS.CO.COM | | | | | | |
| | | ECN: 5652 | REV. ECN: 5652 | BY: DP | MODEL(S) 3671 / 3674 / 3680 / 3680FR / 3690 / 3690FR | PART NUMBER 0580001176 | | |
| DRAWN: DHP | DATE: 6/11/20 | CHKD: FV | APPROVED: FV | DATE: 03/18/21 | SCALE: 1:24 | DRAWING TYPE: INSTALLATION | SIZE: A | REVISION 1 |
| © 2021 Haws Corporation - All Rights Reserved. HAWS® and other trademarks used in these materials are the exclusive property of Haws Corporation. | | | | | | | | SHEET 3 OF 7 |

INSTALLATION INSTRUCTIONS

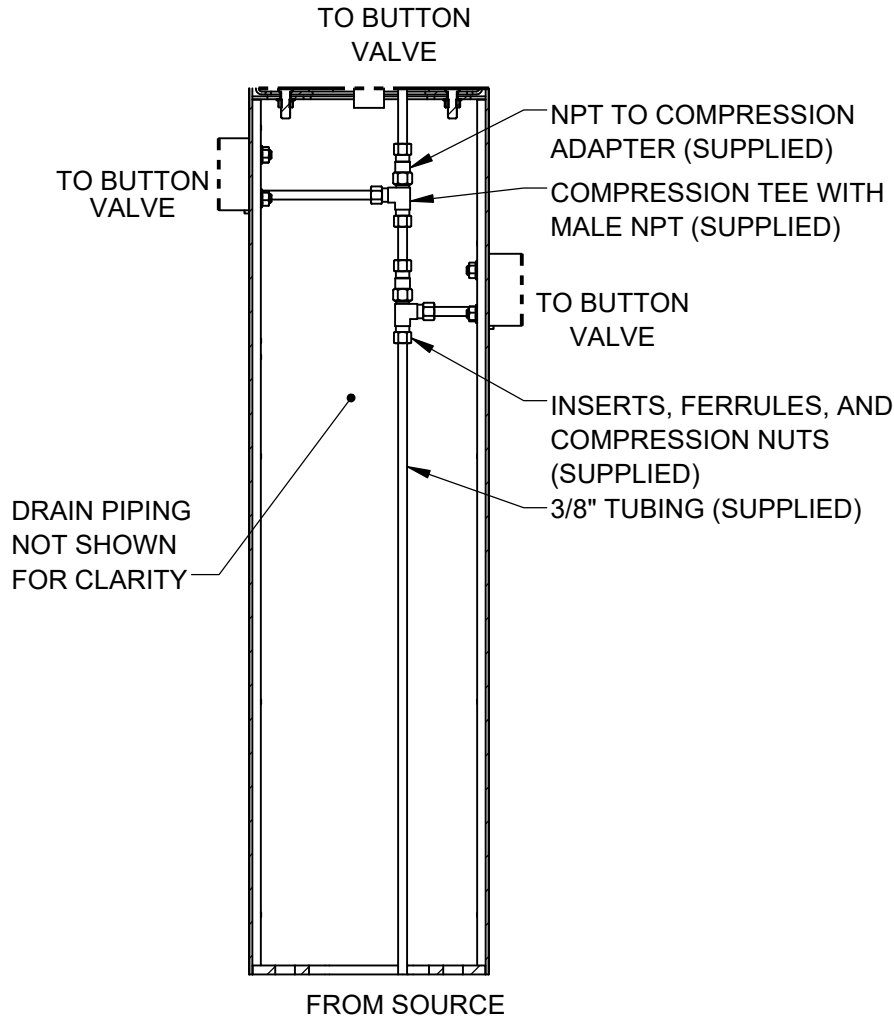


TYPICAL DRAIN INSTALLATION

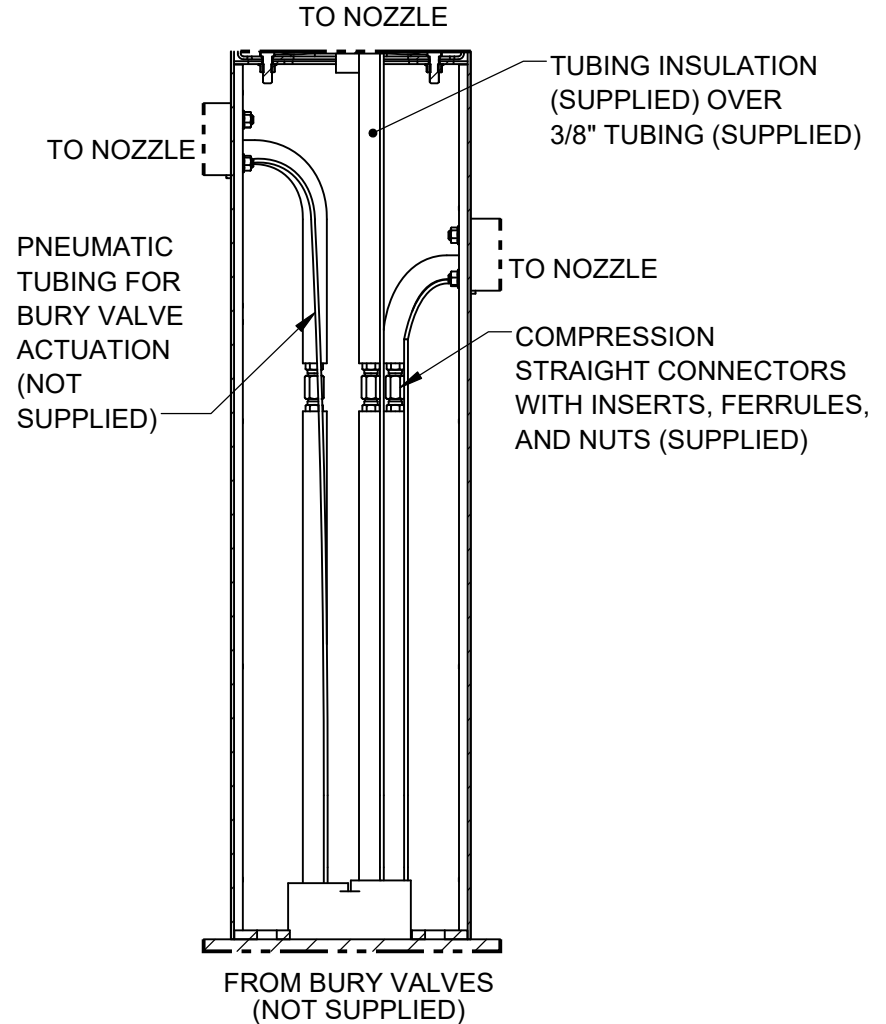
INSTALL SUPPLIED DRAIN COMPONENTS AS SHOWN. RED COMPRESSION WASHERS ADAPT FROM 1-1/4" TO 1-1/2" AT EACH DRAIN TAIL PIECE. BLACK COMPRESSION WASHERS ARE USED IN TRAP ADAPTERS AT TEES. INCLUDED TRAP ADAPTERS MUST BE CEMENTED INTO PVC FITTINGS WHERE A WASTE BEND OR TAILPIECE ENTERS A 1-1/2" PVC FITTING (TEE OR COUPLER). CUT A SHORT SECTION OF THE DRAIN PIPE TO CONNECT THE TWO TEES IF REQUIRED. USE APPROPRIATE PVC CEMENT TO MAKE SOLVENT CEMENT CONNECTIONS. TRIM WASTE BEND AND/OR TAIL PIECE LENGTH IF REQUIRED. NOTE THAT EXTRA PARTS MAY BE INCLUDED TO FACILITATE DIFFERENT CONFIGURATIONS OF THIS FOUNTAIN.

| | | | |
|---|--|---|---|
|  | | 1455 KLEPPE LANE SPARKS, NEVADA 89431 (775) 359-4712 FAX (775) 359-7424 E-MAIL: HAWS@HAWS.CO.COM WEBSITE: WWW.HAWS.CO.COM | |
| | | ECN: 5652 DRAWN: DHP APPROVED: FV | REV. ECN: 5652 DATE: 6/11/20 DATE: 03/18/21 |
| PART NUMBER 0580001176 | | | REVISION 1 |
| SCALE: 1:24 DRAWING TYPE: INSTALLATION SIZE: A | | SHEET 4 OF 7 | |

INSTALLATION INSTRUCTIONS




**36XX TYPICAL SUPPLY PLUMBING
NON FREEZE RESISTANT**

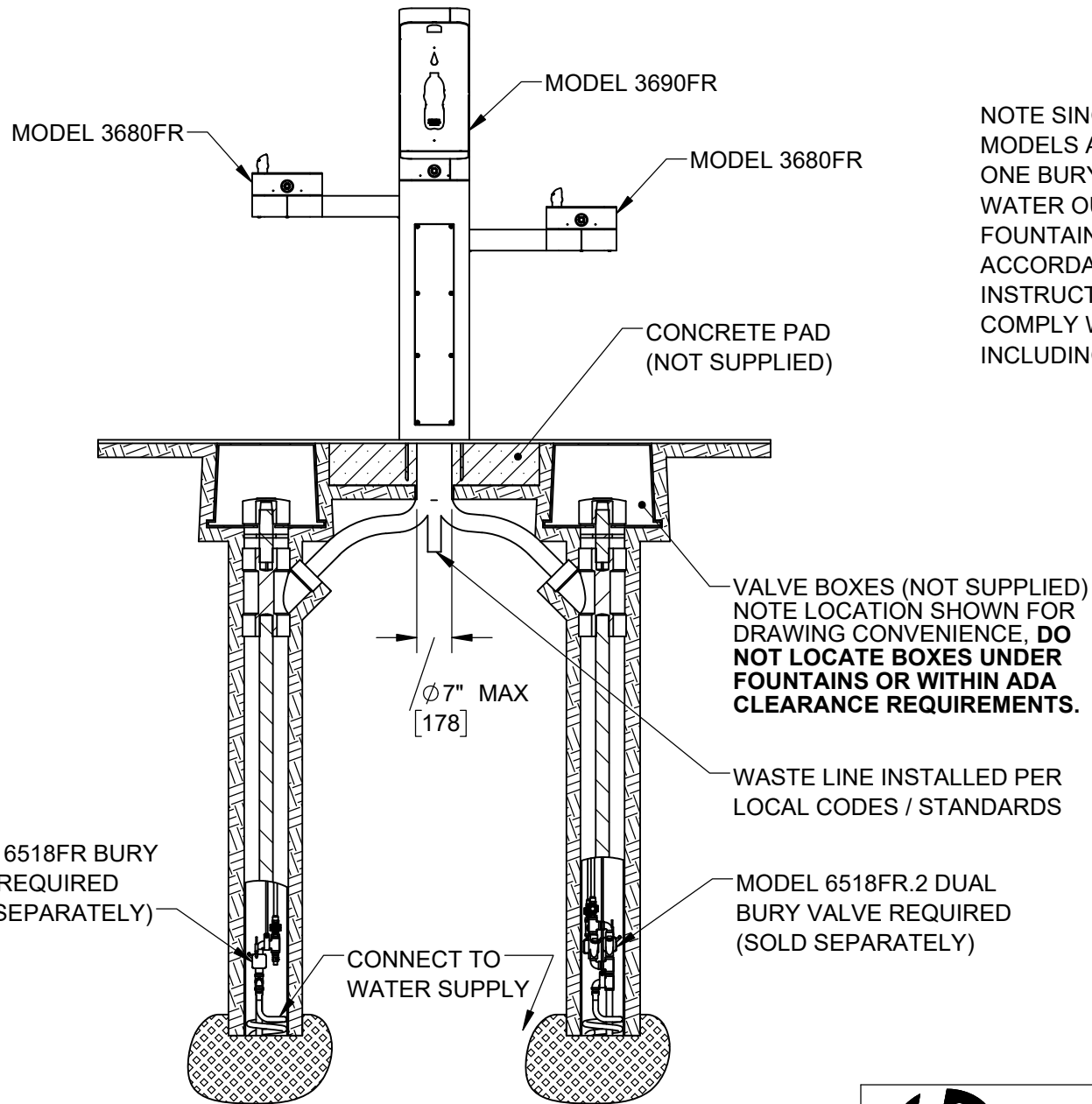


**36XXFR TYPICAL SUPPLY PLUMBING*
FREEZE RESISTANT**

* SEE NEXT SHEET OF THIS DRAWING FOR MORE INFORMATION ON INSTALLING BURY VALVES WITH THESE MODELS.

TYPICAL SUPPLY PLUMBING
COMPLETE WATER SUPPLY PLUMBING AS REQUIRED. OPEN SUPPLY VALVE(S) AND TEST. REPLACE ARM BOTTOM PLATES AND PEDESTAL ACCESS PLATES. BURY VALVES (NOT SUPPLIED) ARE REQUIRED FOR 36XXFR INSTALLATION. REFER TO BURY VALVE OPERATION AND MAINTENANCE MANUAL FOR ADDITIONAL INFORMATION.

| | | | |
|---|--|---|---|
|  | | 1455 KLEPPE LANE SPARKS, NEVADA 89431 (775) 359-4712 FAX (775) 359-7424 E-MAIL: HAWS@HAWSO.COM WEBSITE: WWW.HAWSO.COM | |
| | | ECN: 5652 DRAWN: DHP APPROVED: FV | REV. ECN: 5652 DATE: 6/11/20 DATE: 03/18/21 |
| PART NUMBER 0580001176 | | | REVISION 1 |
| SCALE: 1:24 DRAWING TYPE: INSTALLATION SIZE: A | | SHEET 5 OF 7 | |



NOTE SINGLE OR DUAL BURY VALVE MODELS AVAILABLE (SOLD SEPARATELY). ONE BURY VALVE IS REQUIRED PER WATER OUTLET NOZZLE ON THE FOUNTAIN. INSTALL BURY VALVES IN ACCORDANCE WITH MANUFACTURER'S INSTRUCTIONS. INSTALLATION MUST COMPLY WITH LOCAL CODES /STANDARDS, INCLUDING ADA CODES IF APPLICABLE.

VALVE BOXES (NOT SUPPLIED)
NOTE LOCATION SHOWN FOR DRAWING CONVENIENCE, **DO NOT LOCATE BOXES UNDER FOUNTAINS OR WITHIN ADA CLEARANCE REQUIREMENTS.**


WASTE LINE INSTALLED PER LOCAL CODES / STANDARDS

MODEL 6518FR.2 DUAL BURY VALVE REQUIRED (SOLD SEPARATELY)

MODEL 6518FR BURY VALVE REQUIRED (SOLD SEPARATELY)

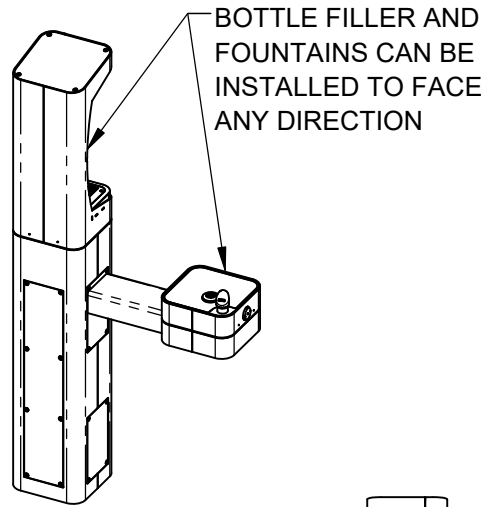
CONNECT TO WATER SUPPLY

36XXFR GENERAL BURY VALVE LAYOUT (FOR REFERENCE ONLY)

| | | | |
|---|--|---|---|
|  | | 1455 KLEPPE LANE SPARKS, NEVADA 89431 (775) 359-4712 FAX (775) 359-7424 E-MAIL: HAWS@HAWSO.COM WEBSITE: WWW.HAWSO.COM | |
| | | ECN: 5652 DRAWN: DHP APPROVED: FV | REV. ECN: 5652 DATE: 6/11/20 DATE: 03/18/21 |
| PART NUMBER 0580001176 | | | REVISION 1 |
| SCALE: 1:24 DRAWING TYPE: INSTALLATION | | SIZE: A SHEET 6 OF 7 | |

NOTES ON OPTIONAL CONFIGURATIONS

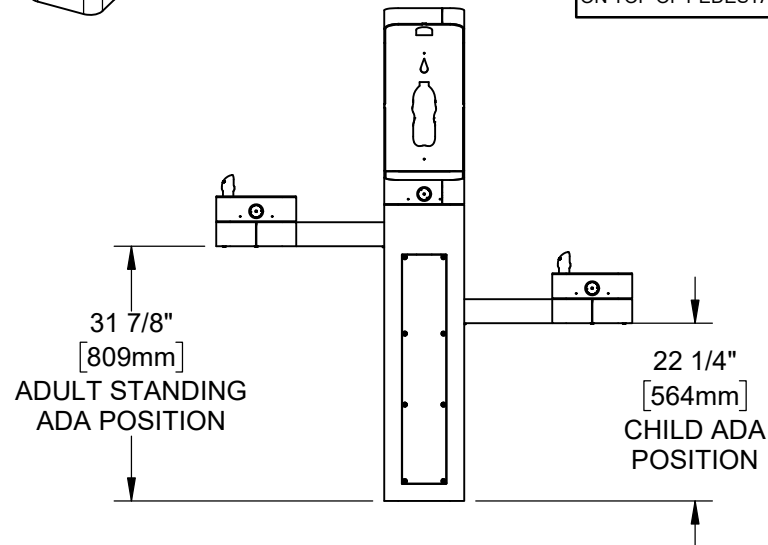
HAWS 3600 SERIES OUTDOOR FOUNTAINS ARE MODULAR AND CAN BE ASSEMBLED AND CONFIGURED MANY DIFFERENT WAYS. DISPLAYED HERE ARE A FEW EXAMPLES. IT IS POSSIBLE TO CONFIGURE COMPONENTS SUCH THAT THE RESULTING FOUNTAIN/BOTTLE FILLER DOES NOT COMPLY WITH ADA REGULATIONS. IT IS THE RESPONSIBILITY OF THE INSTALLER TO UNDERSTAND LOCAL, STATE, AND FEDERAL REGULATIONS AS APPLICABLE IF INSTALLING THIS FOUNTAIN IN CONFIGURATIONS OTHER THAN THAT INDICATED ON PAGE 1.



| ADA ARM HEIGHT POSITION OPTIONS | | | | |
|---------------------------------|------------|-------------|-------------------------|-----------------------|
| | LEFT SIDE* | RIGHT SIDE* | ARM HEIGHT (LOWER EDGE) | BUBBLER NOZZLE HEIGHT |
| STANDING ADA | YES (STD) | NO | 31-7/8 [809 mm] | 39-3/8 [999 mm]** |
| WHEELCHAIR ADA | YES | YES (STD) | 27 [687 mm] | 34-5/8 [878 mm] |
| CHILD ADA | YES | YES | 22-1/4 [566 mm] | 29-7/8 [757 mm] |

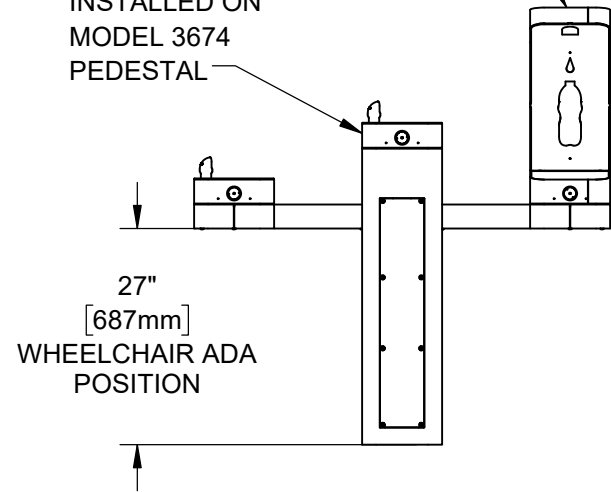
* RIGHT AND LEFT CAN BE REVERSED IF PEDESTAL IS ROTATED 180°.

**NOZZLE HEIGHT IS 41-1/2" WHEN FOUNTAIN IS INSTALLED ON TOP OF PEDESTAL.



MODEL 3690/3690FR CAN BE INSTALLED ON MODEL 3671 ARMS

ADA STANDING HEIGHT MODEL 3680/3680FR FOUNTAIN INSTALLED ON MODEL 3674 PEDESTAL



| | | | |
|-------------|--|---|---|
| | | 1455 KLEPPE LANE SPARKS, NEVADA 89431 (775) 359-4712 FAX (775) 359-7424 E-MAIL: HAWS@HAWSO.COM WEBSITE: WWW.HAWSO.COM | |
| | | ECN: 5652 REV. ECN: 5652 DRAWN: DHP APPROVED: FV | BY: DP DATE: 6/11/20 DATE: 03/18/21 |
| SCALE: 1:24 | | DRAWING TYPE: INSTALLATION | |
| SIZE: A | | SHEET 7 OF 7 | |