

FEATURES & BENEFITS

BUBBLER HEAD

Polished chrome-plated brass bubbler head with integral basin shank for added strength. Shielded, angled stream opening provides a steady, sanitary source of drinking water at .45 gpm.

VALVE

The push-button activated valve offers the only all stainless steel valve body that is machined out of solid bar stock, is fully serviceable through the front of the push button assembly offering access to the water control cartridge and integral water supply strainer, and with front access to the water stream height adjustment for easy maintenance without having to remove the valve. Operating pressure range of 30 to 90 psi (2.1 to 6.2 bar).

DRAIN CLEAN-OUT

Top-down access to the drain allows the fountain portion to be cleaned without taking the unit apart, good for outdoor settings with drain-clogging sediment such as leaves, garbage, and other debris.

PET ACCESS

Unique design allows for canine access so pet and owner can quench their thirst in one place.

OPTIONS

For more information, visit www.hawsco.com or call (888) 640-4297.



SPECIFICATIONS

Model 3670 heavy-duty dog bowl shall include a patented push-button stainless steel valve assembly allowing for front access stream adjustment as well as cartridge and strainer access, heavy-duty 3/16" fabricated stainless steel with silver powder-coated finish, polished chrome-plated brass vandal-resistant shielded bubbler head, 100% lead-free waterways, polished chrome-plated vandal-resistant waste strainer with top-down clean-out access, and vandal-resistant access plate. Designed to be used with the Haws 3600 series modular outdoor pedestals.

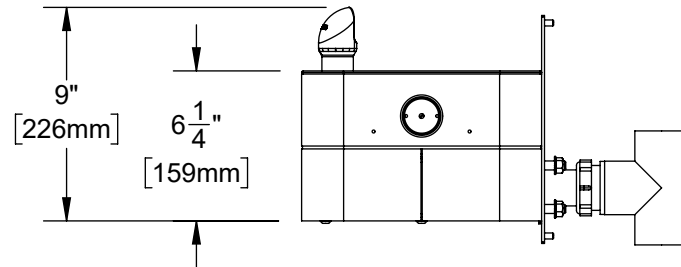
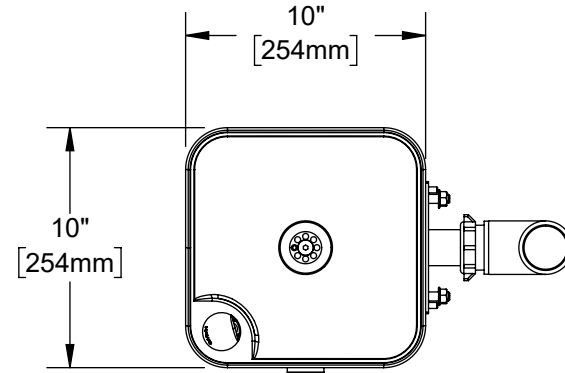
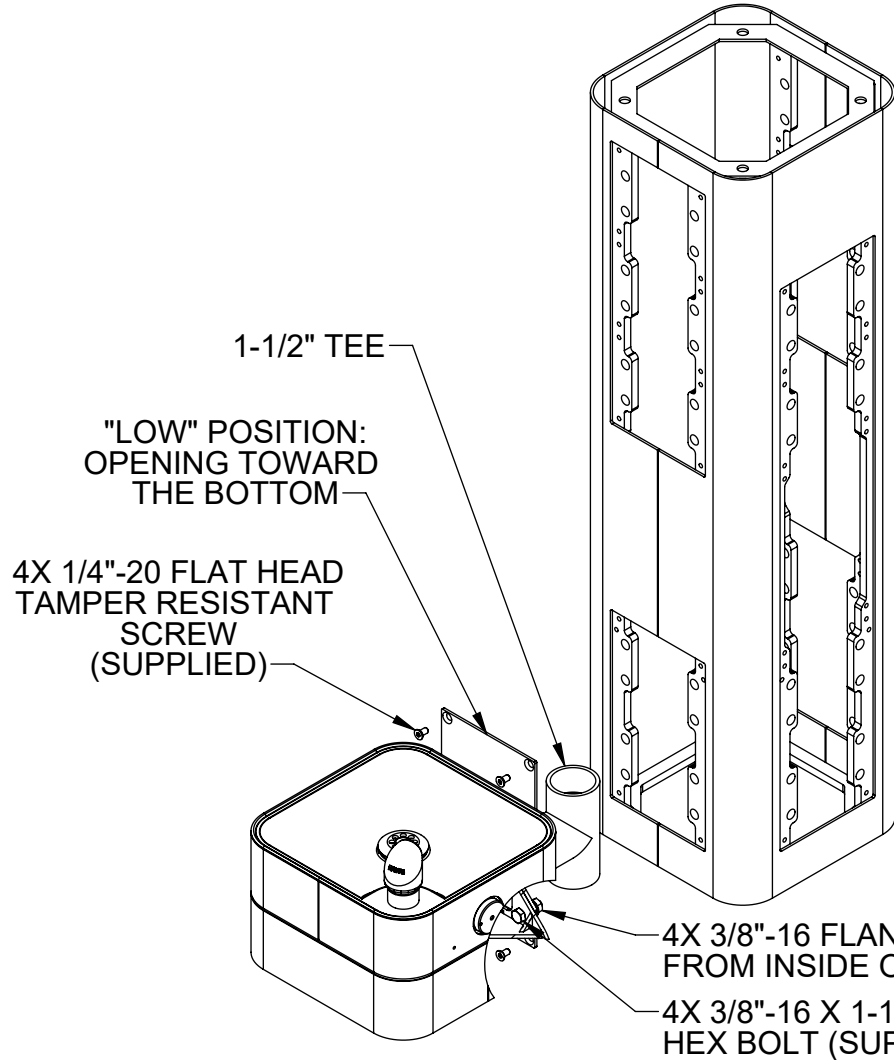
APPLICATIONS

The 3670 offers a solution the changing needs of the outdoor setting. When added to a 3600 series pedestal, this is a nice addition to areas such as parks and recreation areas where pet drinking facilities are needed. Haws manufactures drinking fountains, faucets and electric water coolers to be lead-free by all known definitions including NSF/ANSI/CAN 61- Section 9, NSF/ANSI/CAN 372, California Proposition 65, and the Federal Safe Drinking Water Act. Product is compliant to California Health and Safety Code 116875 (AB 1953-2006), and NSF/ANSI/CAN 61: Q ≤ 1.



NOTES

1. WHEN INSTALLING THIS UNIT, LOCAL, STATE, OR FEDERAL CODES SHOULD BE ADHERED TO. FOR INSTALLATION HEIGHTS OTHER THAN SHOWN, DIMENSIONS MARKED (*) MUST BE ADJUSTED ACCORDINGLY. INSTALL A TRAP IN THE WASTE LINE AND A SCREWDRIVER STOP IN THE SUPPLY LINE IF REQUIRED.
2. IF NECESSARY FOR INSTALLATION, BOWL CAN BE REMOVED BY REMOVING THE SCREW IN THE CENTER OF THE BOWL.

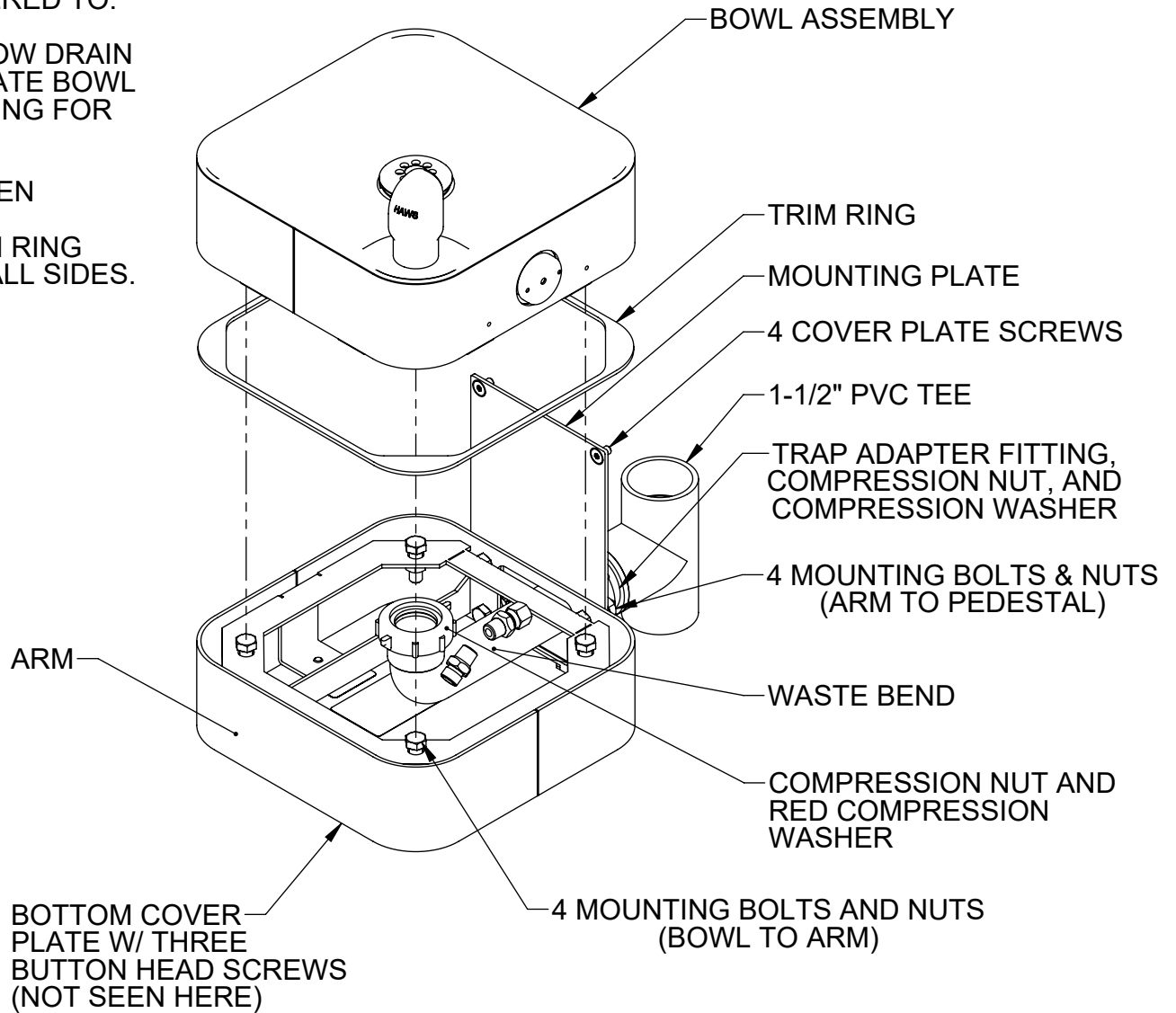


NOTE: STANDARD CONFIGURATION FOR MODEL 3670 ON A PEDESTAL IS SHOWN. IT IS RECOMMENDED THAT THE ASSEMBLY IS PLACED AT THE LOWEST OPENING ON THE PEDESTAL. THE MOUNTING PLATE CAN BE ROTATED SO THE DOG BOWL CAN BE IN A "HIGH" OR "LOW" POSITION. IT IS RECOMMENDED TO USE THE "LOW" POSITION AS SHOWN.

		1455 KLEPPE LANE SPARKS, NEVADA 89431 (775) 359-4712 FAX (775) 359-7424 E-MAIL: HAWS@HAWS.CO.COM WEBSITE: WWW.HAWS.CO.COM	
		ECN: 5226 DRAWN: MH APPROVED: FV	REV. ECN: 5925 DATE: 05/16/17 DATE: 05/31/23
PART NUMBER 0510000703.D			REVISION 5
SCALE: 1:8		DRAWING TYPE: INSTALLATION	SIZE: A
SHEET 1 OF 2			

NOTES:

3. WHEN INSTALLING THIS UNIT, LOCAL, STATE, OR FEDERAL CODES SHOULD BE ADHERED TO.
4. THIS PET ACCESSORY INCLUDES A SLOW DRAIN DISC UNDER THE STRAINER TO FACILITATE BOWL FILLING AND IMPROVE EASE OF DRINKING FOR PETS.
5. MANUALLY CENTER TRIM RING BETWEEN BOWL AND ARM BEFORE TIGHTENING BOWL TO ARM MOUNTING BOLTS. TRIM RING SHOULD BE SLIGHTLY RECESSED ON ALL SIDES.



 Haws Since 1906		1455 KLEPPE LANE SPARKS, NEVADA 89431 (775) 359-4712 FAX (775) 359-7424 E-MAIL: HAWS@HAWS.CO.COM WEBSITE: WWW.HAWS.CO.COM	
		ECN: 5226 REV. ECN: 5925 BY: FV DATE: 05/16/17 CHKD: JC APPROVED: FV DATE: 05/31/23	MODEL(S) MODEL 3670 PET BOWL ACCESSORY
SCALE: 1:8		DRAWING TYPE: INSTALLATION	
SIZE: A		SHEET 2 OF 2	