

FEATURES & BENEFITS

CONSTRUCTION

Barrier-free design made of heavy-duty 11 gauge galvanized steel with green powder-coat finish. Unit has a high-polished stainless steel basin that resists stains and corrosion, recessed push-button, welded bubbler guard, and vandal-resistant bottom plate.

BUBBLER HEAD

Polished chrome-plated brass bubbler head with integral 11/16" dia. basin shank and stainless anti-rotation roll pin for vandal resistance strength. Shielded, angled stream opening provides a steady, sanitary source of drinking water at .45 gpm.

FOUNTAIN VALVE

The push-button activated valve offers the only all stainless steel valve body that is machined out of solid bar stock, is fully serviceable through the front of the push button assembly offering access to the water control cartridge and integral water supply strainer, and with front access to the water stream height adjustment for easy maintenance without having to remove the valve. Operating pressure range of 30 to 90 psi (2.1 to 6.2 bar).

VANDAL RESISTANT

The bubbler heads, push buttons, drain strainers and access plates are locked in place, discouraging unwanted vandal tampering.

BARRIER FREE

Barrier-free capabilities combined with its ease of use allows for a number of installation location possibilities.



SPECIFICATIONS

Model 3300 ADA vandal-resistant pedestal drinking fountain shall include an 11 gauge galvanized substrate steel pedestal with green powder-coating, polished stainless steel basins, vandal-resistant push-button operated stainless steel valves with front-accessible cartridge and flow adjustment, polished chrome-plated brass vandal-resistant shielded bubbler head, 100% lead-free waterways, polished chrome-plated vandal-resistant waste strainers with top-down clean-out access, vandal-resistant access plates, integral mounting feet, and 1-1/2" slip waste.

OPTIONS

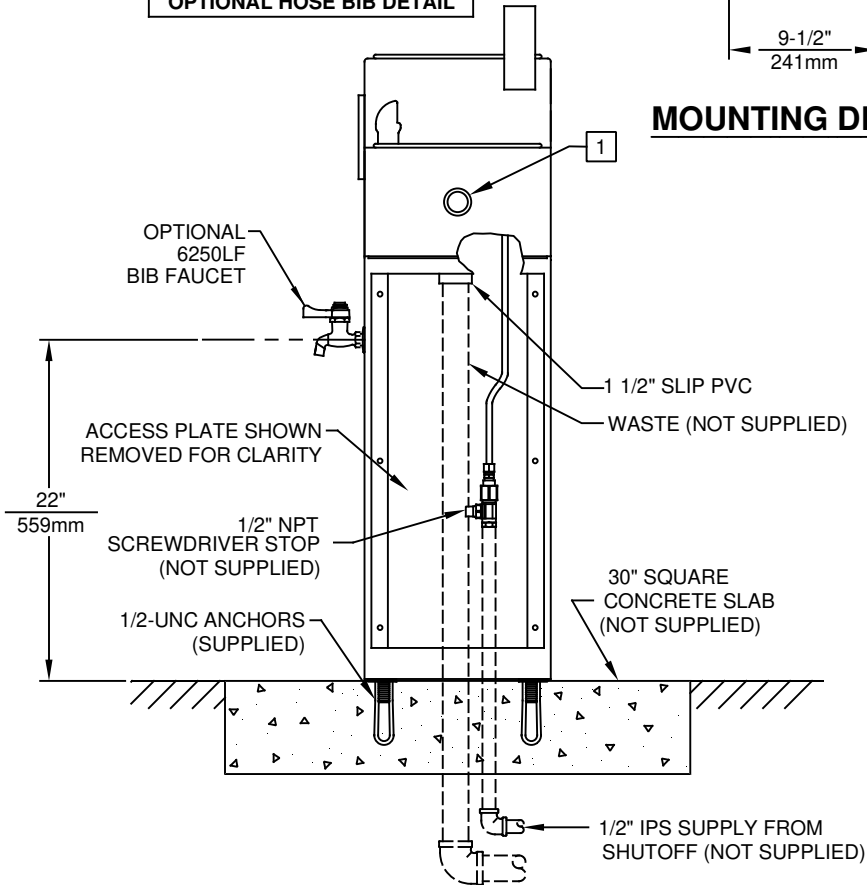
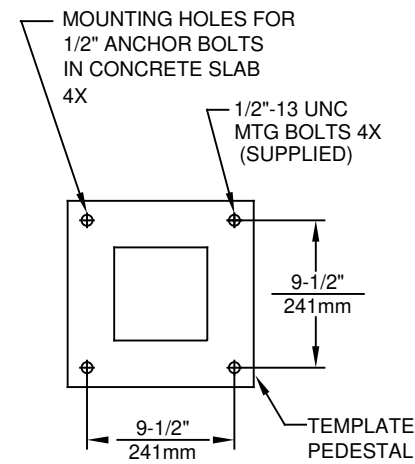
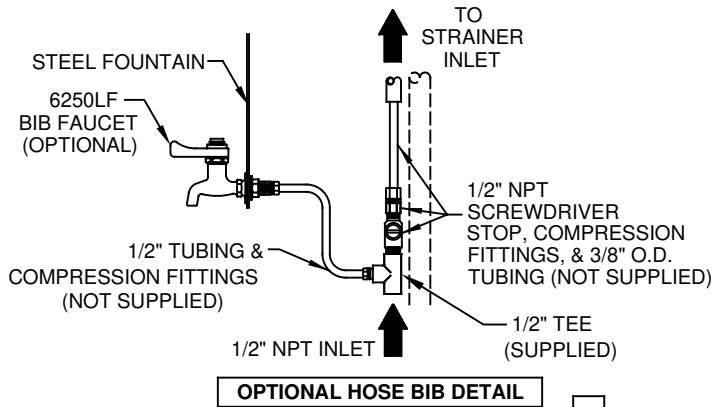
- Sand Trap: Model 6611, sand trap for installing adjacent to pedestal drinking fountains to help prevent debris and contaminants from clogging waste line.
- Faucet Valve: Model 6250LF, self-closing, plain end, lead-free, brass bib faucet with polished chrome-plated finish. (When used with Haws concrete products, also order part 0004499489; for 3511, use 0004521763)
- Valve Repair Kit: Model VRK5874, valve repair kit for Model 5874.

For more information, visit www.hawsc.com or call (888) 640-4297.

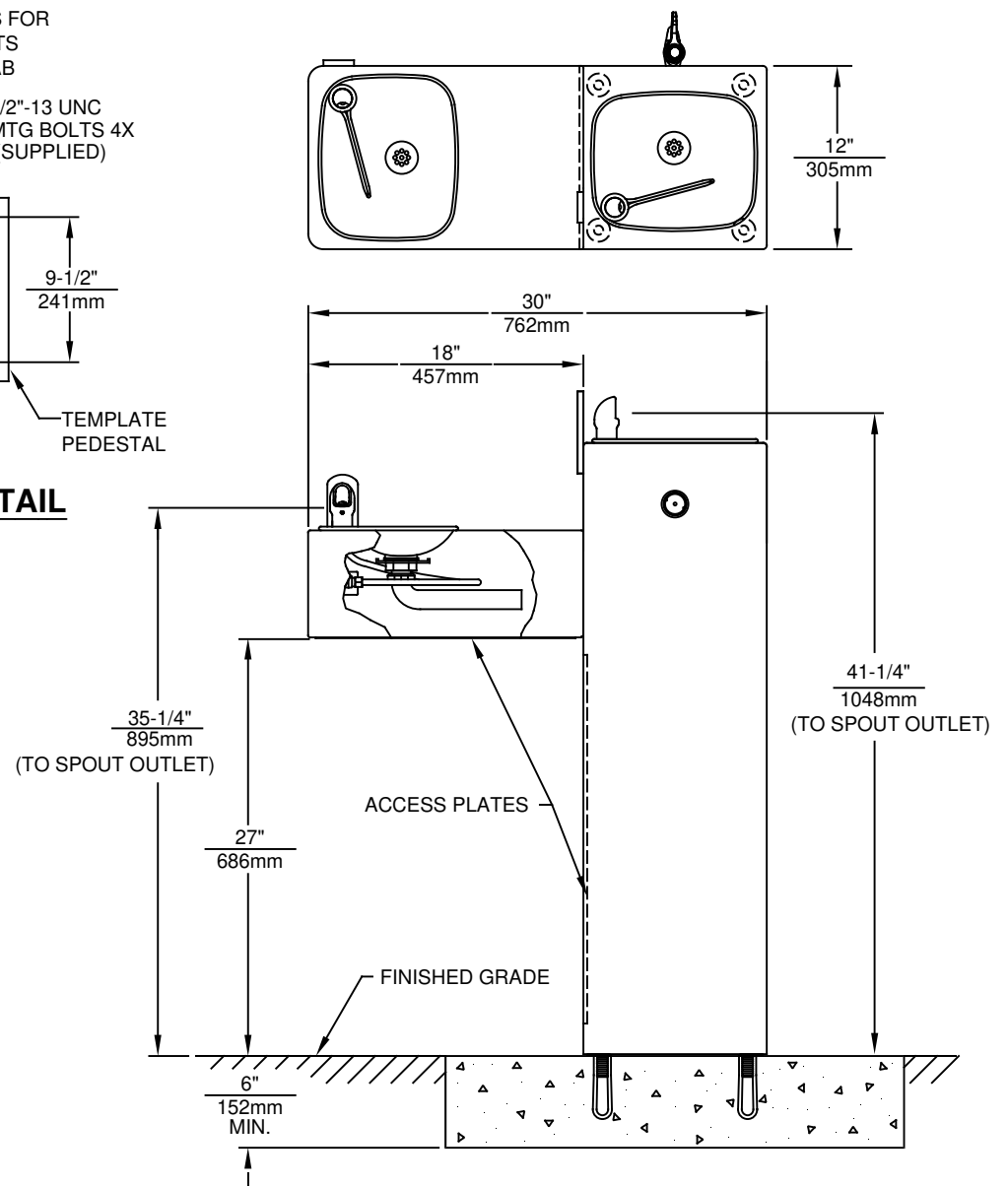
APPLICATIONS

The 3300 offers a solution for outdoor wheelchair access as well as vandal-resistance, appealing to all users through accessibility and safety. This series may also be a nice addition to areas such as parks, schools, and other areas where drinking facilities are needed. Model meets all current Federal Regulations for the disabled including those in the Americans with Disabilities Act. Haws manufactures drinking fountains, faucets and electric water coolers to be lead-free by all known definitions including NSF/ANSI/CAN 61-Section 9, NSF/ANSI/CAN 372, California Proposition 65, and the Federal Safe Drinking Water Act. Product is compliant to California Health and Safety Code 116875 (AB 1953-2006), and 116876 (AB 100) "NSF/ANSI/CAN 61: Q ≤ 1".






MOUNTING DETAIL



NOTES:

- 1 REFER TO 5874 SERIES OPERATION AND MAINTENANCE MANUAL FOR PUSH BUTTON AND VALVE INSTALLATION/MAINTENANCE INSTRUCTIONS. (NOTE: THIS FOUNTAIN UTILIZES A HIGH FLOW CARTRIDGE TO ENSURE PROPER WATER FLOW).



1455 KLEPPE LANE
SPARKS, NEVADA 89431
(775) 359-4712 FAX (775) 359-7424
E-MAIL: HAWS@HAWSCO.COM
WEBSITE: WWW.HAWSCO.COM

ECN NO.	REVISED PER	BY:	MODEL(S)	PART NUMBER
	ECN: 5189	JP		0002077341.D
DRAWN:	DATE:	CHK'D:	3300/3300G	REVISION
CJL	09/92	VWG		21
APPROVED:	DATE:	SCALE:	DRAWING TYPE:	INSTALLATION
FV	07/07/17	N/A		SIZE: A SHEET 1 OF 1