



# Haws®

# model 1441

ADA Vandal-Resistant Aluminum Wall Mount Fountain

## FEATURES & BENEFITS

### CONSTRUCTION

Cast aluminum bowl with integral mounting brackets along with a powder-coated finish combine for a strong long lasting product, while a vandal-resistant bottom plate discourages unwanted access.

### INTEGRATED TRAP

All cast brass 1-1/4" NPT adjustable traps completely concealed inside bottom plates for easy installation and lack of unwanted access.

### BUBBLER HEADS

Polished chrome-plated brass bubbler heads with integral 11/16" dia. basin shank and stainless anti-rotation roll pin for vandal resistance strength. Shielded, angled stream opening provides a steady, sanitary source of drinking water at .45 gpm.

### DRINKING FOUNTAIN VALVES

The push-button activated valve offers the only all stainless steel valve body that is machined out of solid bar stock, is fully serviceable through the front of the push button assembly offering access to the water control cartridge and integral water supply strainer, and with front access to the water stream height adjustment for easy maintenance without having to remove the valve. Operating pressure range of 30 to 90 psi (2.1 to 6.2 bar).

### VANDAL-RESISTANT

The bubbler heads, push buttons, drain strainer and bottom plate are locked in place, discouraging unwanted vandal tampering.



## OPTIONS

- Remote Drinking Fountain Water chiller: Model HCR8, 8 gph (30.3 L) remote water chiller provides instantaneous cooling to meet a continuous demand for chilled water.
- Bottle Filling Station: Model 1900, bottle filler can be a stand-alone station, or mounted above most Haws drinking fountains along with most competitors' fountains and water coolers.
- Support Frame: Model 6800 universal in-wall mounting support for use with most fountains.
- Water Filter: Model 6426, 10" x 2" (25.4 x 5.1 cm), in-line lead removal element that reduces lead from incoming water supply.

For more information, visit [www.hawsco.com](http://www.hawsco.com) or call (888) 640-4297.

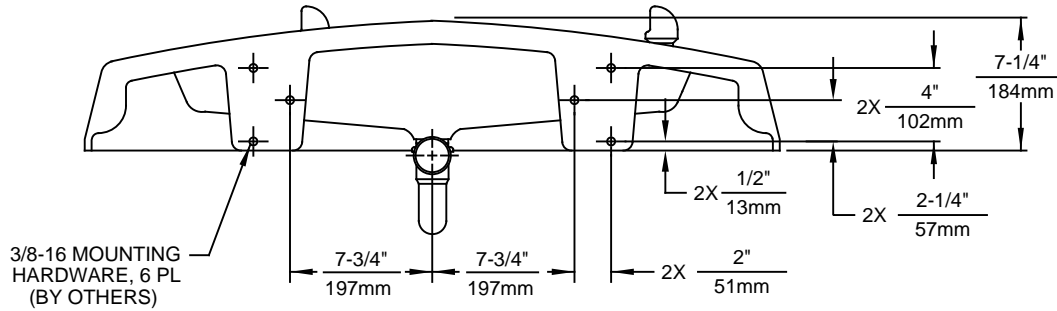
## SPECIFICATIONS

Model 1441 vandal-resistant wall mounted, wheelchair accessible drinking fountain shall include a white powder-coated cast aluminum basin with integral mounting brackets, vandal-resistant push-button operated stainless steel valves with front accessible cartridge and flow adjustment, 100% lead-free waterways, dual polished chrome-plated brass vandal-resistant bubbler heads, polished chrome-plated brass vandal-resistant waste strainer, vandal-resistant bottom plate, and chrome-plated 1-1/2" NPT trap.

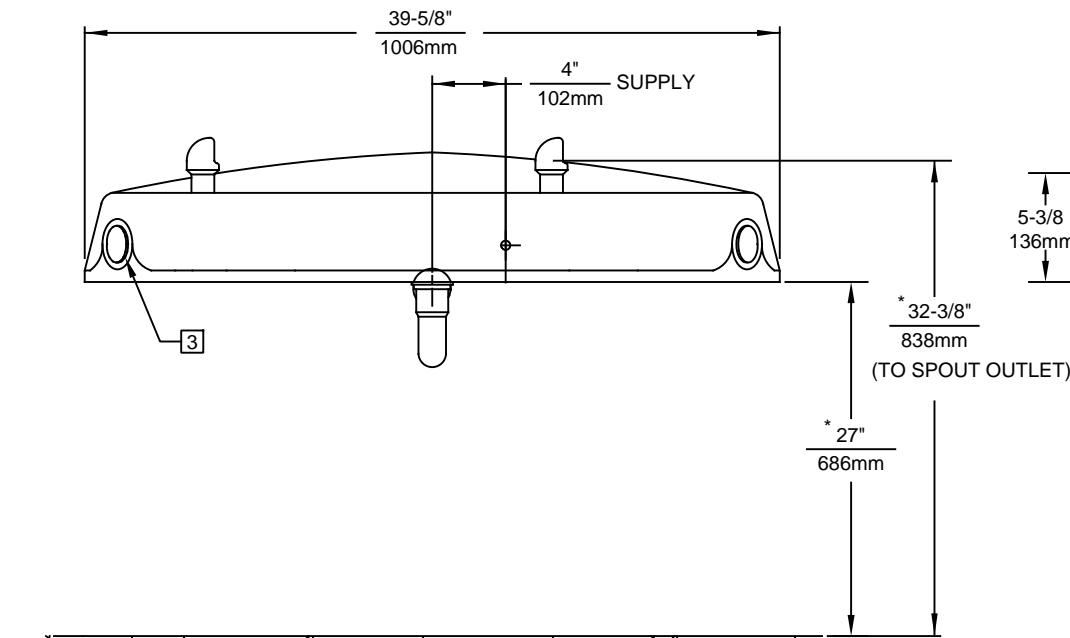
## APPLICATIONS

Perfect for either public or private settings, our cast aluminum series is a great fit for any indoor/outdoor environment. This wheelchair accessible unit is the perfect fit for high traffic areas where there is a greater need for multiple drinking stations. Powder-coated finish helps maintain the fountain's overall appeal so it always remains looking as new as it did when it was installed. Specifically, this type of wall mounted drinking fountain may be placed in settings such as: parks, schools, and other environments where the temperature remains above freezing. Haws manufactures drinking fountains, faucets and electric water coolers to be lead-free by all known definitions including NSF/ANSI/CAN 61-Section 9, NSF/ANSI/CAN 372, California Proposition 65, and the Federal Safe Drinking Water Act. Product is compliant to California Health and Safety Code 116875 (AB 1953-2006), and NSF/ANSI/CAN 61: Q ≤ 1.



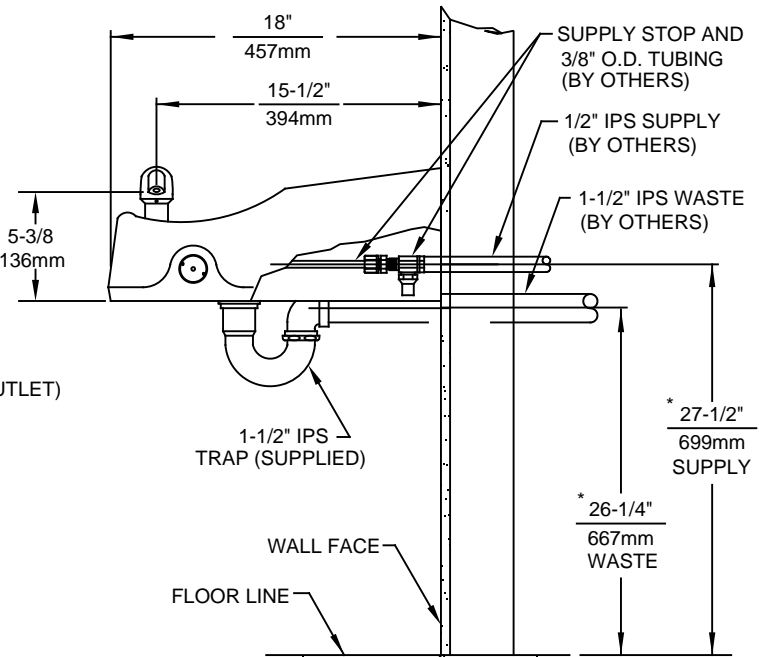
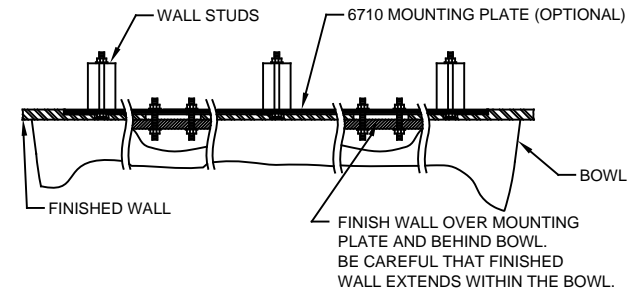


**MOUNTING DETAIL**



**NOTES:**

1. HOLD ROUGH-IN DIMENSIONS  $\pm 1/4"$  (6.4mm).
2. WHEN INSTALLING THIS UNIT, LOCAL, STATE, OR FEDERAL CODES SHOULD BE ADHERED TO. FOR INSTALLATION HEIGHTS OTHER THAN SHOWN, DIMENSIONS MARKED (\*) MUST BE ADJUSTED ACCORDINGLY.
3. REFER TO 5874 SERIES OPERATION AND MAINTENANCE MANUAL FOR PUSH BUTTON AND VALVE INSTALLATION/MAINTENANCE INSTRUCTIONS.



1455 KLEPPE LANE  
 SPARKS, NEVADA 89431  
 (775) 359-4712 FAX (775) 359-7424  
 E-MAIL: HAWS@HAWSCO.COM  
 WEBSITE: WWW.HAWSCO.COM

ECN NO. REVISED PER BY:	MODEL(S)	PART NUMBER
ECN: 5188 JP	1441	0002076867.D
DRAWN: DATE: CHKD.:		REVISION
C.HAYES 08-01-92 VWC		19
APPROVED: DATE:	SCALE: 1:10	DRAWING TYPE: INSTALLATION
FV 07/06/17		SIZE: A SHEET 1 OF 1