

FEATURES & BENEFITS

CONSTRUCTION

Cast aluminum bowl with integral mounting brackets along with a powder-coated finish combine for a strong long lasting product, while a vandal-resistant bottom plate discourages unwanted access.

INTEGRATED TRAP

All cast brass 1-1/4" NPT adjustable traps completely concealed inside bottom plates for easy installation and lack of unwanted access.

HIGH CAPACITY BASIN

Combined low profile design and the use of three bubblers supply the needs of many, which is perfect for schools and other high traffic areas.

BUBBLER HEADS

Polished chrome-plated brass bubbler heads with integral 11/16" dia. basin shank and stainless anti-rotation roll pin for vandal resistance strength. Shielded, angled stream opening provides a steady, sanitary source of drinking water at .45 gpm.

DRINKING FOUNTAIN VALVES

The push-button activated valves offer the only all stainless steel valve body that is machined out of solid bar stock, is fully serviceable through the front of the push button assembly offering access to the water control cartridge and integral water supply strainer, and with front access to the water stream height adjustment for easy maintenance without having to remove the valve. Operating pressure range of 30 to 90 psi (2.1 to 6.2 bar).

VANDAL-RESISTANT

The bubbler heads, push buttons, drain strainer and bottom plate are locked in place, discouraging unwanted vandal tampering.

OPTIONS

- Water Filter: Model 6480 filter kit with 3000 gallon carbon block filter, filter head, and mounting bracket.
- Bottle Filling Station: Model 1900, bottle filler can be a stand-alone station, or mounted above most Haws drinking fountains along with most competitors' fountains and water coolers.
- Remote Drinking Fountain Water chiller: Model HCR8, 8 gph (30.3 L) remote water chiller provides instantaneous cooling to meet a continuous demand for chilled water.
- Water Filter: Model 6426, 10" x 2" (25.4 x 5.1 cm), in-line lead removal element that reduces lead from incoming water supply.

For more information, visit www.hawsco.com or call (888) 640-4297.



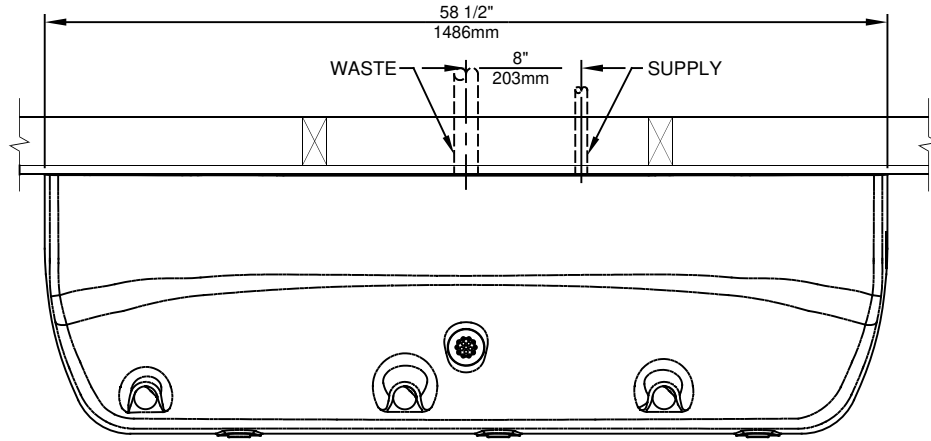
SPECIFICATIONS

Model 1409 is a three bubbler wall mounted, vandal-resistant wheelchair accessible drinking fountain made of white powder-coated cast aluminum. Unit shall include recessed vandal-resistant push-button stainless steel valves with front-accessible flow adjustments and cartridge and strainer access, 100% lead free waterways, polished chrome-plated brass bubbler heads locked to the bowl and solid chrome-plated brass waste strainer. Unit shall also include a vandal-resistant bottom plate and a 1-1/2" NPT trap.

APPLICATIONS

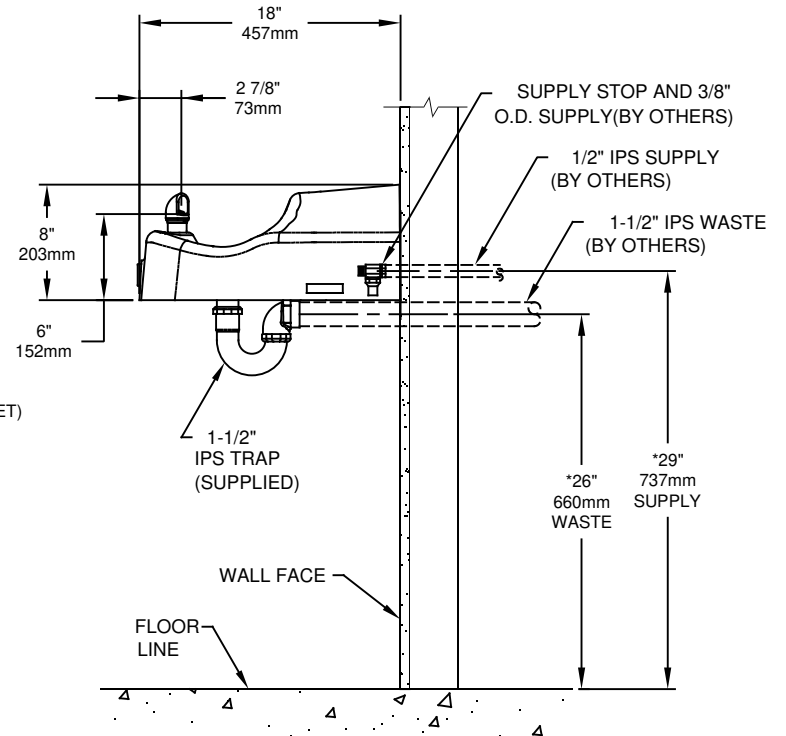
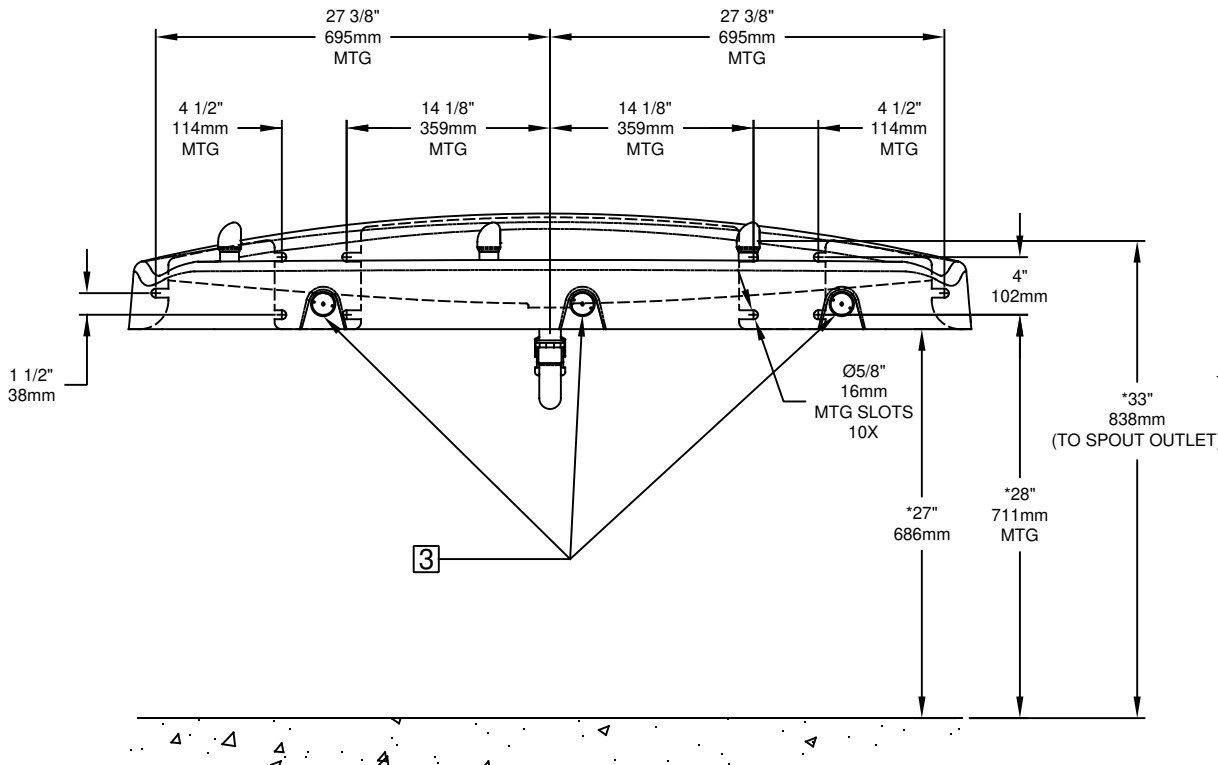
Perfect for schools, sports venues, shopping malls and other high traffic areas where mounting height and durability matter. The 1409 offers a solution for wheelchair access while providing robust vandal-resistance. When installed at the appropriate height, the heavy-duty, yet lightweight design negates the need for installation reinforcement generally required with significantly heavier cast iron fountains. The vandal-resistant bottom plate and waste strainer also bring added peace-of-mind. Haws manufactures drinking fountains, faucets and electric water coolers to be lead-free by all known definitions including NSF/ANSI/CAN 61-Section 9, NSF/ANSI/CAN 372, California Proposition 65, and the Federal Safe Drinking Water Act. Product is compliant to California Health and Safety Code 116875 (AB 1953-2006), and 116876 (AB 100) "NSF/ANSI/CAN 61: Q ≤ 1".





NOTES:

1. HOLD ROUGH-IN DIMENSIONS ±1/4" (6.4mm).
2. WHEN INSTALLING THIS UNIT, LOCAL, STATE, OR FEDERAL CODES SHOULD BE ADHERED TO. FOR INSTALLATION HEIGHTS OTHER THAN SHOWN, DIMENSIONS MARKED (*) MUST BE ADJUSTED ACCORDINGLY.
- 3 REFER TO 5874 SERIES OPERATION AND MAINTENANCE MANUAL FOR PUSH BUTTON AND VALVE INSTALLATION/MAINTENANCE INSTRUCTONS.



		1455 KLEPPE LANE SPARKS, NEVADA 89431 (775) 359-4712 FAX (775) 359-7424 E-MAIL: HAWS@HAWSCO.COM WEBSITE: WWW.HAWSCO.COM	
ECN NO.	REVISED PER	BY:	MODEL(S)
	ECN: 5188	JP	1409
DRAWN:	DATE:	CHK'D:	PART NUMBER
M. DAVIS	12-13-05	VWG	0002077601.D
APPROVED:	DATE:	SCALE:	REVISION
FV	07/06/17	1:14	7
DRAWING TYPE:		INSTALLATION	SHEET 1 OF 1