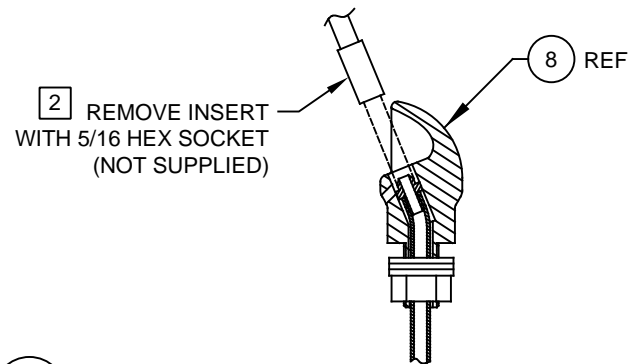
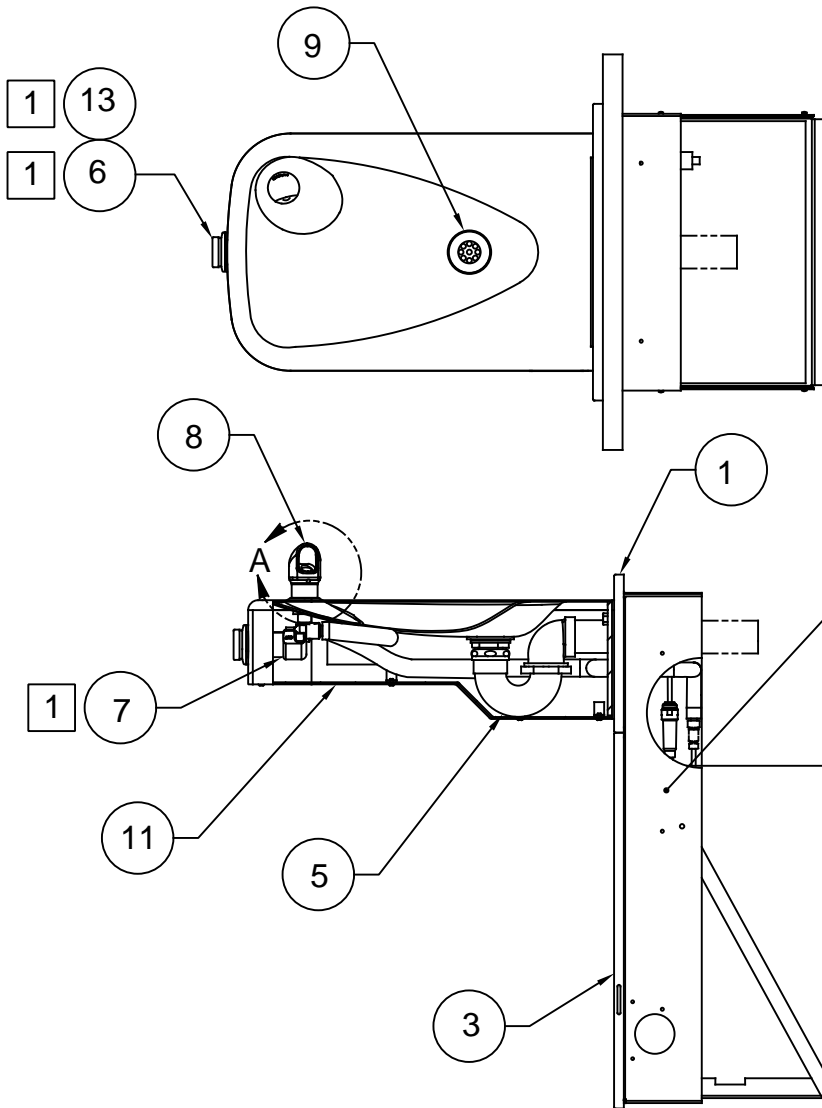


NOTES:

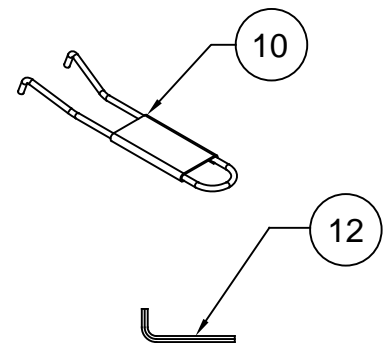
- 1 5874PBF (ITEM 7) INCLUDES VRK5874 CARTRIDGE ASSEMBLY (ITEM 13) AND PBA6 FLANGED PUSH BUTTON (ITEM 6).
- 2 ENSURE TUBE IS DISCONNECTED FROM PUSH BUTTON VALVE BODY PRIOR TO REMOVAL. APPLY ONE DROP OF LOCTITE 222MS TO NOZZLE THREADS PRIOR TO FASTENING BACK ONTO BUBBLER HEAD. RE-ATTACH TUBE TO VALVE.

| ITEM | DESCRIPTION | PART NO. |
|------|----------------------------------|------------|
| 1 | BACK PANEL | BP7 |
| 2 | MOUNTING FRAME | MTGFR.7 |
| 3 | GRILLE 1107L | 0002626550 |
| 4 | REMOTE CHILLER | HCR8 |
| 5 | TRAP | 0005982900 |
| 6 | BUTTON, PUSH, FLANGED | PBA6 |
| 7 | BUTTON, PUSH, FLANGED WITH VALVE | 5874PBF |
| 8 | BUBBLER HEAD | 5703M |
| 9 | STRAINER ASSY | 6462 |
| 10 | SPANNER WRENCH P/N | 0006983506 |
| 11 | BOTTOM PLATE | PBM1107 |
| 12 | KEY HEX F/PINNED HEX | 0002981127 |
| 13 | VALVE REPAIR KIT | VRK5874 |

** REQUIRED - SOLD SEPARATELY



DETAIL A
ROTATED 90° INTO VIEW



PARTS BREAKDOWN

WHEN ORDERING PARTS PLEASE SPECIFY MODEL NUMBER.

| | | | |
|---------------------------------|--------------------|---|----------------------|
| | | 1455 KLEPPE LANE SPARKS, NEVADA 89431 (775) 359-4712 FAX (775) 359-7424 E-MAIL: HAWS@HAWS.CO.COM WEBSITE: WWW.HAWS.CO.COM | |
| | | ECN NO. REVISED PER BY ECN: 5545 FV | MODEL(S) H1107.8 |
| DRAWN DATE C.FENNER 10-25-06 | CHECKED DATE DP | REVISION 15 | |
| APPROVED DATE FV 06/26/20 | SCALE: N/A | DRAWING TYPE: PARTS BREAKDOWN | SIZE: A SHEET 1 OF 1 |