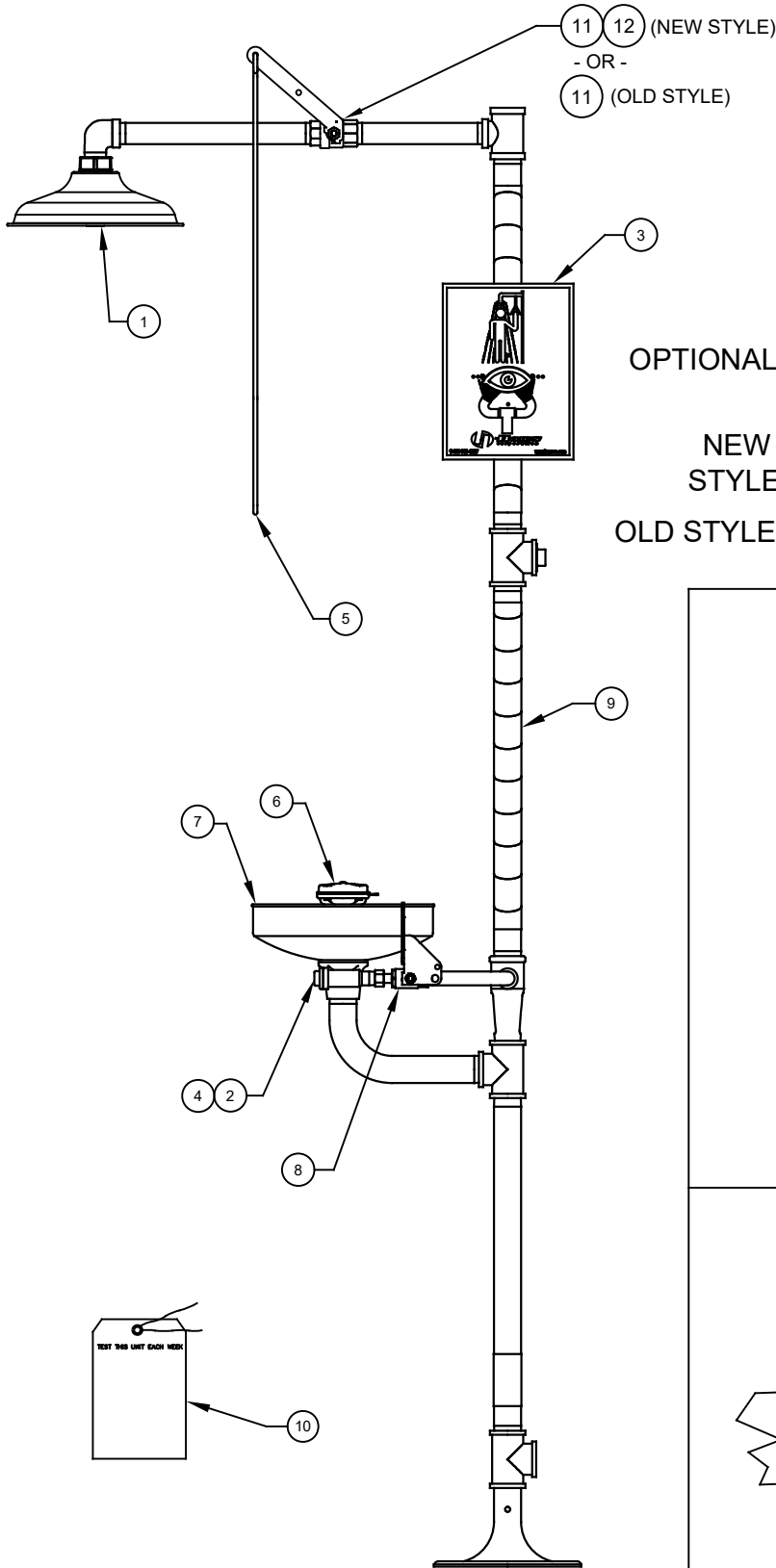


PARTS BREAKDOWN



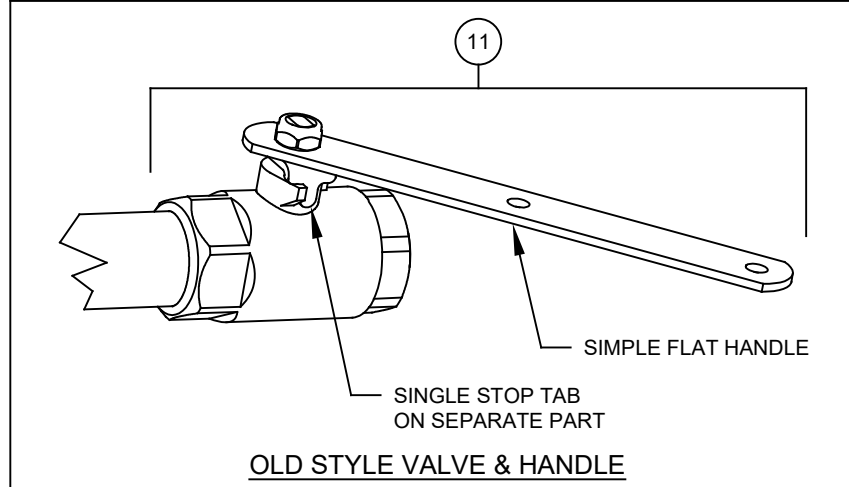
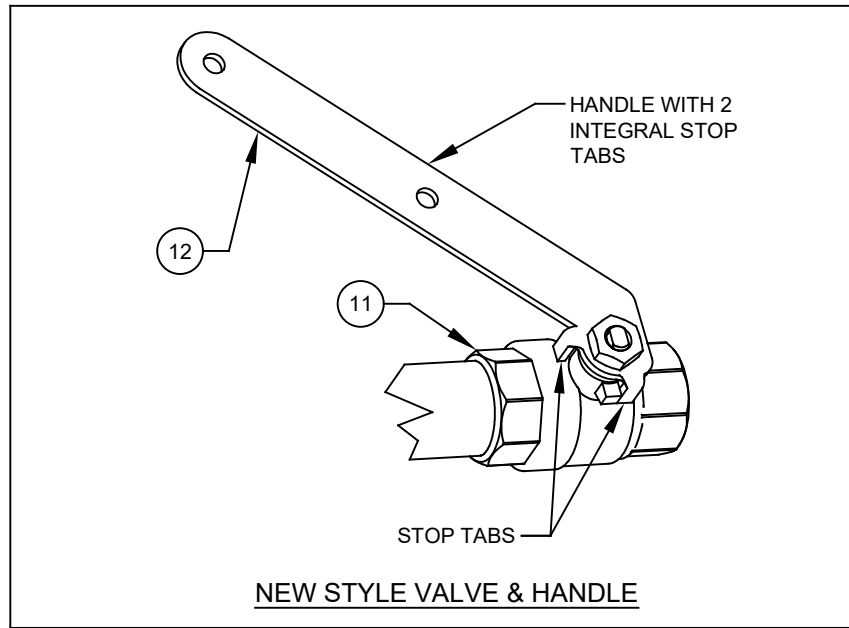
ITEM	DESCRIPTION	PART NO.
1	SHOWER HEAD	SP829
2	L-STRAINER	SP509
3	SHOWER SIGN	SP178
4	STR. REPAIR KIT	VRKEWSTR
5	PULL ROD	SP200
6	EYE/FACE WASH W/ COVER	SP65
7	SS BOWL	SP90
8	VALVE ASSEMBLY	SP225
9	STRIPE TAPE	SP185
10	TEST TAG	SP170
--	FOOT TREADLE (NOT SHOWN)	SP220

OPTIONAL —

NEW STYLE —


OLD STYLE —

11	VALVE ASSEMBLY	SP259
12	PULL ROD HANDLE	0410000858
11	VALVE/HANDLE ASSEMBLY	SP260



NOTE: MODEL 8300CRP/8309CRP HAS CORROSION RESISTANT COATING ON ALL EXPOSED PIPING.

WHEN ORDERING PARTS PLEASE SPECIFY MODEL NUMBER.



Haws

1455 KLEPPE LANE
SPARKS, NEVADA 89431
(775) 359-4712 FAX (775) 359-7424
E-MAIL: HAWS@HAWS.CO.COM
WEBSITE: WWW.HAWS.CO.COM

ECN NO. REVISED PER BY	DATE	CHKD	MODEL(S)	PART NUMBER
5866	03/10/93	BJM	8300-8309/8300CRP-8309CRP	0002080162
DRAWN CLF	DATE	CHKD		REVISION
APPROVED JL	DATE	01/12/23	SCALE: NA	26
			DRAWING TYPE: PARTS BREAKDOWN	SIZE: A SHEET 1 OF 1