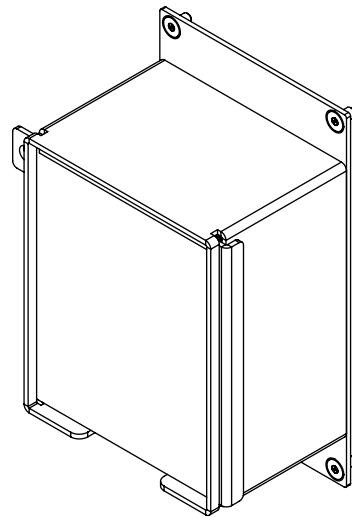
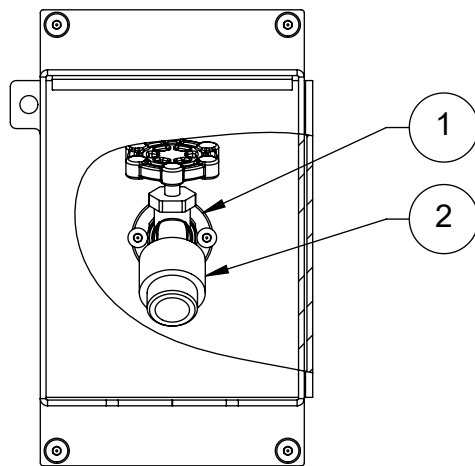
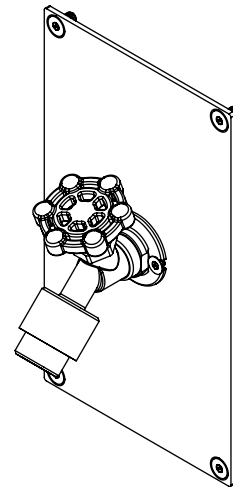
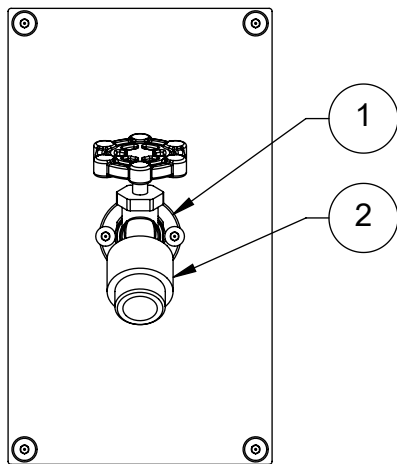


THIS DOCUMENT IS TRUE AND CORRECT AT TIME OF PUBLICATION. CONTINUED PRODUCT IMPROVEMENTS MAKE SPECIFICATIONS AND MEASUREMENTS SUBJECT TO CHANGE WITHOUT NOTICE.

ITEM	PART NO.	DESCRIPTION
1	0110000617	VALVE, HOSE BIB
2	0110000775	VALVE, VACUUM BREAKER



**MODEL 3660**  
LOCKABLE HOSE BIB



**MODEL 3661**  
HOSE BIB

# PARTS BREAKDOWN



1455 KLEPPE LANE  
SPARKS, NEVADA 89431  
(775) 359-4712 FAX (775) 359-7424  
E-MAIL: HAWS@HAWS.CO.COM  
WEBSITE: WWW.HAWS.CO.COM

WHEN ORDERING PARTS, PLEASE  
SPECIFY PART NUMBER

ECN: 5226	REV. ECN: 5620	BY: DP	MODEL(S) 3660 \ 3661	PART NUMBER 0510000779
DRAWN: MH	DATE: 05/17/17	CHKD: FV		REVISION 3
APPROVED: FV	DATE: 12/23/20	SCALE: 1:4	DRAWING TYPE: PARTS BREAKDOWN	SIZE: A SHEET 1 OF 1

© 2020 Haws Corporation - All Rights Reserved.

HAWS® and other trademarks used in these materials are the exclusive property of Haws Corporation.