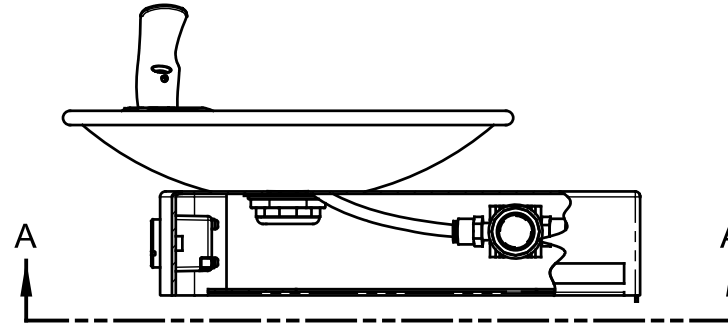


THIS DOCUMENT IS TRUE AND CORRECT AT TIME OF PUBLICATION. CONTINUED PRODUCT IMPROVEMENTS MAKE SPECIFICATIONS AND MEASUREMENTS SUBJECT TO CHANGE WITHOUT NOTICE.

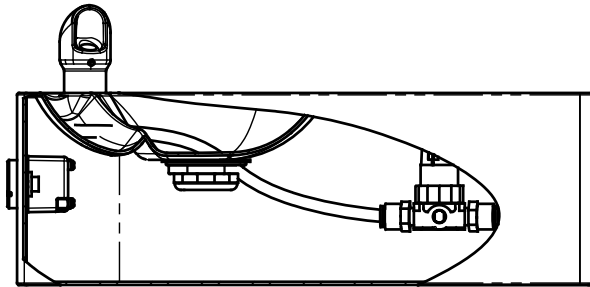
NOTES:

- RKHO RETROFIT KITS ALLOW THE FOLLOWING INDOOR FOUNTAINS TO BE CONVERTED FROM A HAWS 5874 PUSH BUTTON VALVE TO HANDS-OFF (TOUCHLESS) OPERATION:
 1001, 1001HPS, 1001HPSMS, 1001MS, 1011, 1011HPS, 1011HPSMS, 1011MS
 1105, 1107L, 1109, 1109.14, 1117L, 1117LN, 1119, 1119.14
 H1001.8, H1001.8HPS, H1011.8, H1011.8HO, H1011.8HPS, H1107.8, H1109.8, H1117.8, H1119.8
 1920, 1920HPS, 1920W
 FOUNTAINS MAY BE MOUNTED ON THE EXTERNAL WALL OF A BUILDING PROVIDED THE TRANSFORMER SHALL BE MOUNTED INSIDE THE WALL AND PROTECTED FROM WATER AS SHOWN IN THIS INSTALLATION PER NEC/CEC AND LOCAL CODE.
- RETROFIT KIT MODELS:
 RKHO: INDOOR HO RETRO-FIT KIT (INCLUDES HO SENSOR WITH MOUNTING HARDWARE, SOLENOID VALVE AND REGULATOR - SEE SHEET 2).
 RKHO.120: 120VAC IN-WALL TRANSFORMER KIT FOR INDOOR USE (INCLUDES TRANSFORMER AND MAIN POWER HARNESS - SEE SHEET 3).
 RKHO.240: 240VAC IN-WALL TRANSFORMER KIT FOR INDOOR USE (INCLUDES TRANSFORMER AND MAIN POWER HARNESS - SEE SHEET 3).
 RKHO.120P: 120VAC PLUG-IN TRANSFORMER KIT FOR INDOOR USE (INCLUDES TRANSFORMER AND MAIN POWER HARNESS - SEE SHEET 3).
 RKHO.JH: OPTIONAL JUMPER HARNESS KIT (SEE SHEET 3).
- UP TO THREE (3) FOUNTAINS / BOTTLE FILLERS MAY BE POWERED BY ONE (1) TRANSFORMER.

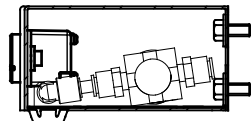
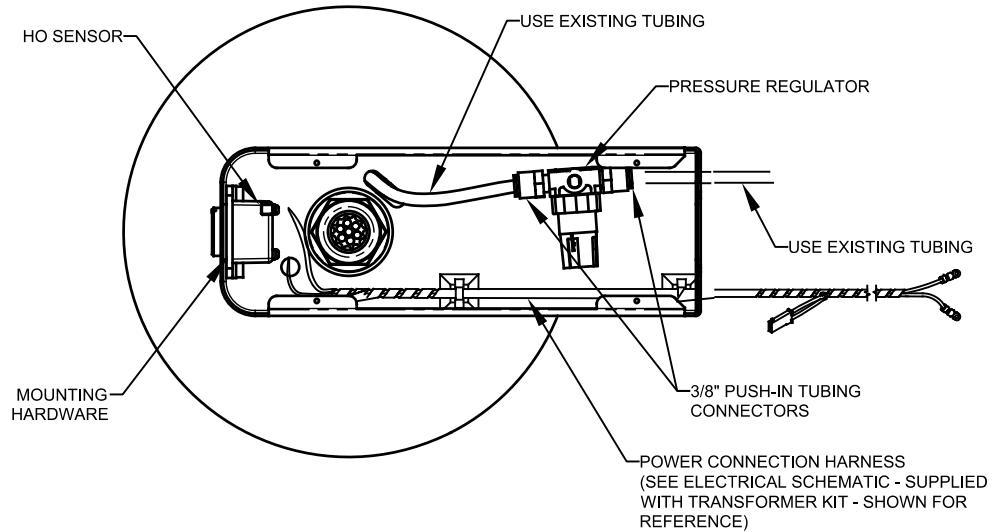
(NOTES CONTINUED ON SHEET 5)



EXAMPLE 1001 FOUNTAIN INSTALLATION



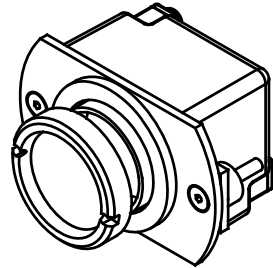
EXAMPLE 1109 FOUNTAIN INSTALLATION



EXAMPLE 1920 BOTTLE FILLER INSTALLATION

			1455 KLEPPE LANE SPARKS, NEVADA 89431 (775) 359-4712 FAX (775) 359-7424 E-MAIL: HAWS@HAWS.CO.COM WEBSITE: WWW.HAWS.CO.COM	
			ECN NO. 5562 ECN: 6011 REVISED PER: FV DATE: 07/07/20 CHK'D: JC	MODEL(S) RKHO/RKHO.120/RKHO.240/RKHO.120P/RKHO.JH FIXED HANDS-OFF RETRO-FIT KIT
DRAWN: BM/FV APPROVED: FV	DATE: 07/30/24	SCALE: N/A DRAWING TYPE: INSTALLATION	SIZE: A SHEET 1 OF 5	

THIS DOCUMENT IS TRUE AND CORRECT AT TIME OF PUBLICATION. CONTINUED PRODUCT IMPROVEMENTS MAKE SPECIFICATIONS AND MEASUREMENTS SUBJECT TO CHANGE WITHOUT NOTICE.

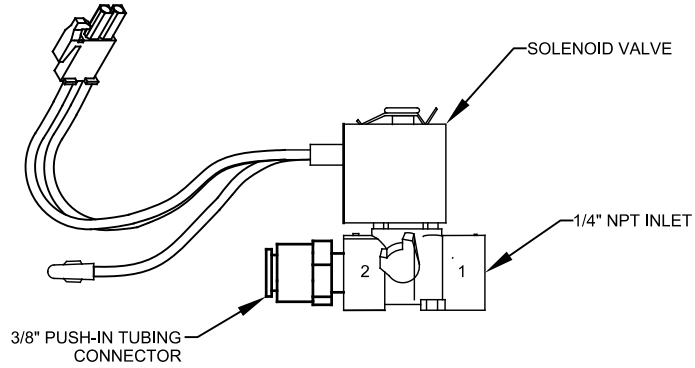


WASHER

MOUNTING NUT WITH LENS COVER

HO SENSOR WITH PRE-ASSEMBLED MOUNTING FLANGE

HO SENSOR ASSEMBLY

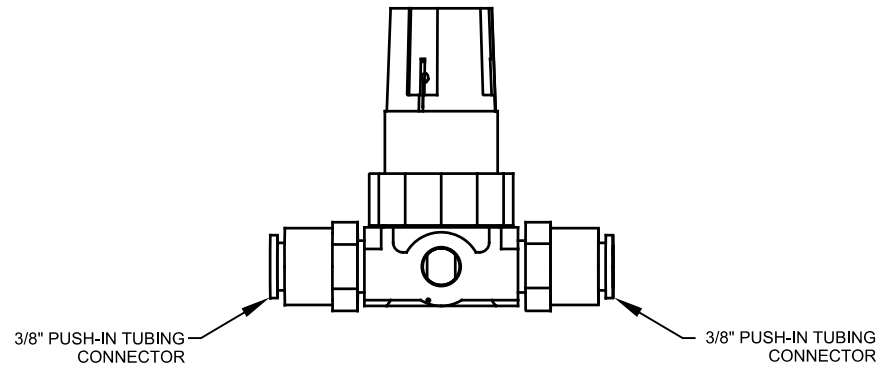


SOLENOID VALVE

1/4" NPT INLET

3/8" PUSH-IN TUBING CONNECTOR

SOLENOID VALVE ASSEMBLY



3/8" PUSH-IN TUBING CONNECTOR

3/8" PUSH-IN TUBING CONNECTOR

VALVE REGULATOR

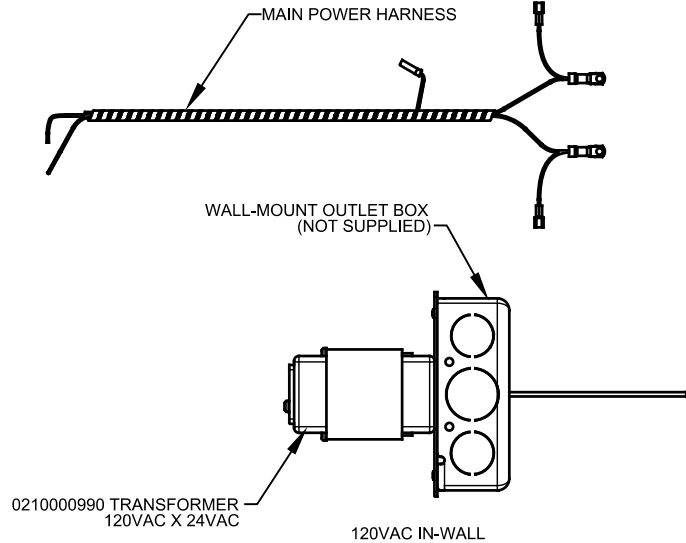
RKHO KIT - MAIN PARTS

PAGE 6 OF 9

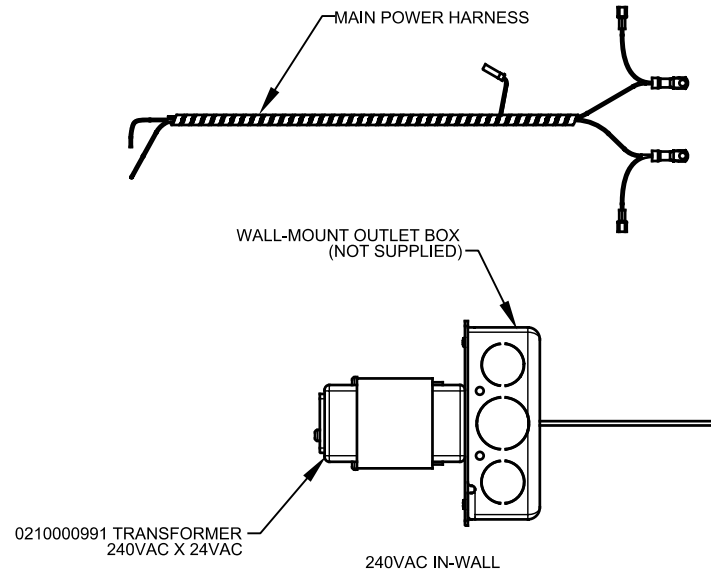
PAGE 6 OF 9

			1455 KLEPPE LANE SPARKS, NEVADA 89431 (775) 359-4712 FAX (775) 359-7424 E-MAIL: HAWS@HAWSO.COM WEBSITE: WWW.HAWSO.COM		
			ECN NO. 5562 DRAWN: BM/FV APPROVED: FV	REVISED PER: ECN: 6011 DATE: 07/07/20 DATE: 07/30/24	BY: FV CHK'D: JC
SCALE: N/A		DRAWING TYPE: INSTALLATION		SIZE: A SHEET 2 OF 5	

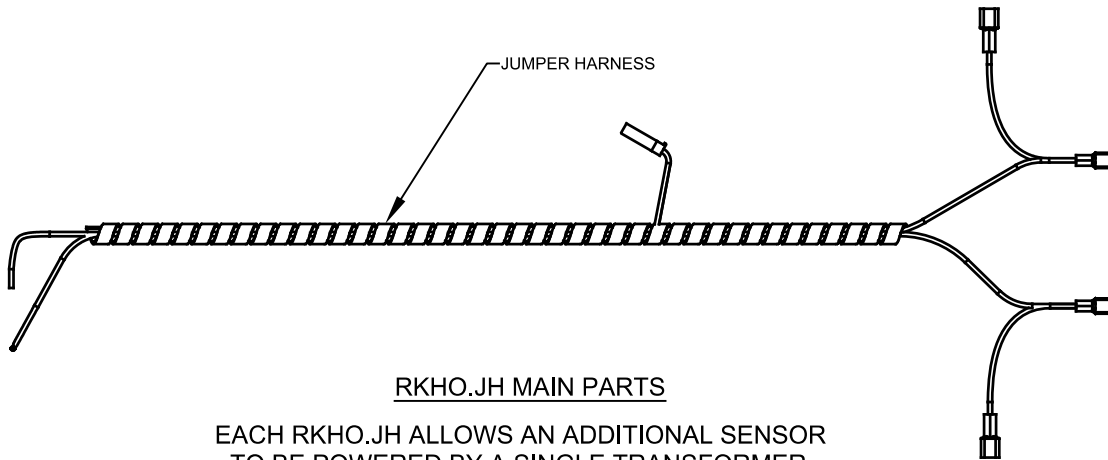
THIS DOCUMENT IS TRUE AND CORRECT AT TIME OF PUBLICATION. CONTINUED PRODUCT IMPROVEMENTS MAKE SPECIFICATIONS AND MEASUREMENTS SUBJECT TO CHANGE WITHOUT NOTICE.



RKHO.120 MAIN PARTS



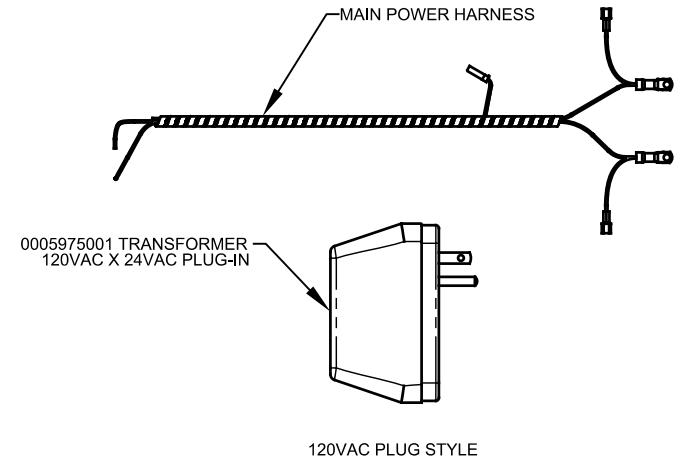
RKHO.240 MAIN PARTS



RKHO.JH MAIN PARTS

EACH RKHO.JH ALLOWS AN ADDITIONAL SENSOR TO BE POWERED BY A SINGLE TRANSFORMER.

ONE TRANSFORMER CAN SUPPORT UP TO 3 SENSORS BY USING 2 RKHO.JH JUMPER HARNESSSES.

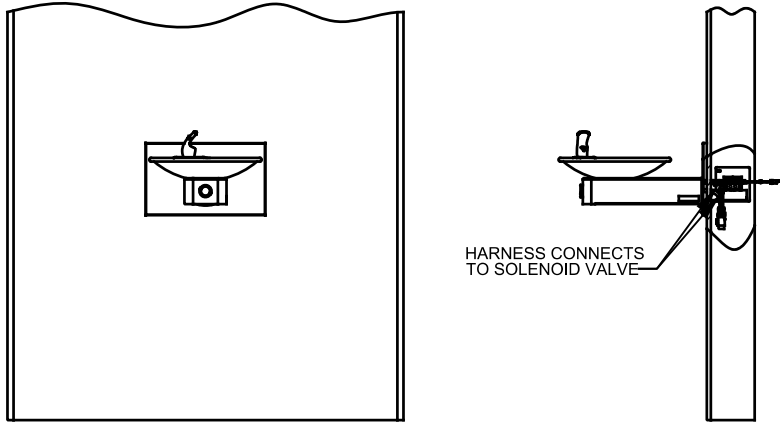


RKHO.120P MAIN PARTS

			1455 KLEPPE LANE SPARKS, NEVADA 89431 (775) 359-4712 FAX (775) 359-7424 E-MAIL: HAWS@HAWS.CO.COM WEBSITE: WWW.HAWS.CO.COM		
			ECN NO. 5562 DRAWN: BM/FV APPROVED: FV	REVISED PER: ECN: 6011 DATE: 07/07/20 DATE: 07/30/24	BY: FV CHK'D: JC
SCALE: N/A DRAWING TYPE: INSTALLATION SIZE: A SHEET 3 OF 5					

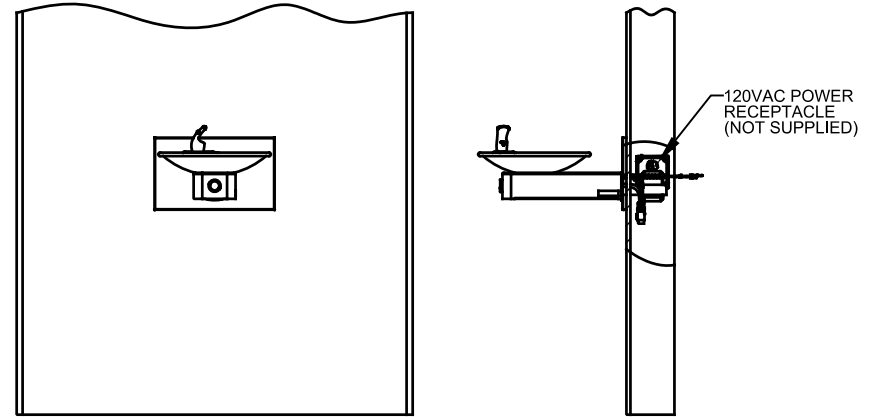
THIS DOCUMENT IS TRUE AND CORRECT AT TIME OF PUBLICATION. CONTINUED PRODUCT IMPROVEMENTS MAKE SPECIFICATIONS AND MEASUREMENTS SUBJECT TO CHANGE WITHOUT NOTICE.

WALL MOUNT TRANSFORMER INSTALL EXAMPLE

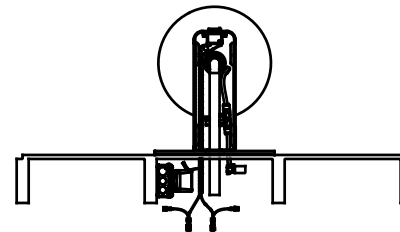
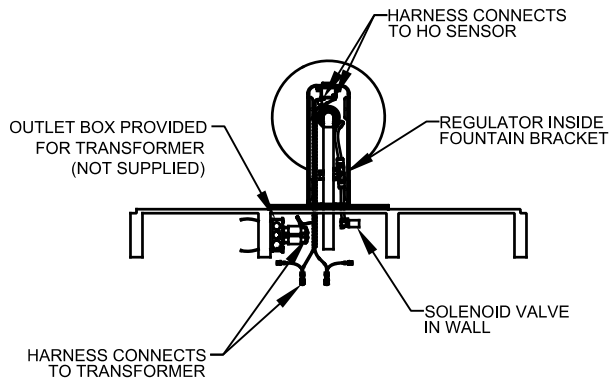


FOR ELECTRICAL CONNECTIONS SEE ELECTRICAL SCHEMATIC ON SHEET 5

PLUG-IN TRANSFORMER INSTALL EXAMPLE



SAME AS WALL MOUNT EXCEPT THAT POWER RECEPTACLE IS REQUIRED FOR TRANSFORMER

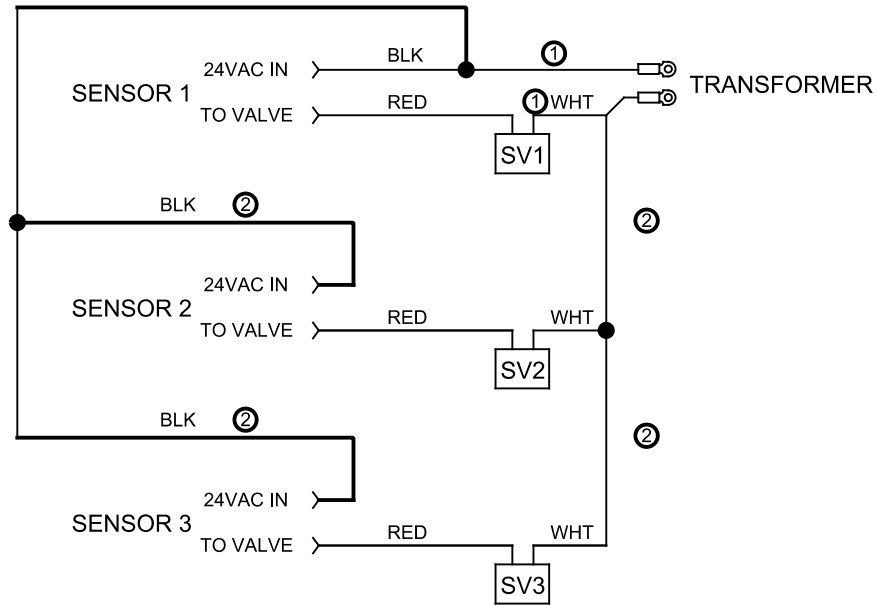


			1455 KLEPPE LANE SPARKS, NEVADA 89431 (775) 359-4712 FAX (775) 359-7424 E-MAIL: HAWS@HAWS.CO.COM WEBSITE: WWW.HAWS.CO.COM	
			ECN NO. 5562 DRAWN: BM/FV APPROVED: FV	REVISED PER: ECN: 6011 DATE: 07/07/20 DATE: 07/30/24
SCALE: N/A		DRAWING TYPE: INSTALLATION		SIZE: A SHEET 4 OF 5

THIS DOCUMENT IS TRUE AND CORRECT AT TIME OF PUBLICATION. CONTINUED PRODUCT IMPROVEMENTS MAKE SPECIFICATIONS AND MEASUREMENTS SUBJECT TO CHANGE WITHOUT NOTICE.

NOTES (CONTINUED FROM SHEET 1):

4. RKHO.120 AND RKHO.120P REQUIRE 120VAC POWER CONNECTION.
5. RKHO.240 REQUIRES 240VAC POWER CONNECTION.
6. TRANSFORMERS MUST BE MOUNTED SUCH THAT THEY ARE PROTECTED FROM WATER.



SCHEMATIC NOTES:

- ① MAIN HARNESS
- ② OPTIONAL JUMPER HARNESS (MAXIMUM OF 2 SHOWN HERE)

CABLE WIRING SCHEMATIC

			1455 KLEPPE LANE SPARKS, NEVADA 89431 (775) 359-4712 FAX (775) 359-7424 E-MAIL: HAWS@HAWS.CO.COM WEBSITE: WWW.HAWS.CO.COM		
			ECN NO. 5562 DRAWN: BM/FV APPROVED: FV	REVISED PER: ECN: 6011 DATE: 07/07/20 DATE: 07/30/24	BY: FV CHK'D: JC
SCALE: N/A DRAWING TYPE: INSTALLATION SIZE: A			SHEET 5 OF 5		