

**NOTES:**

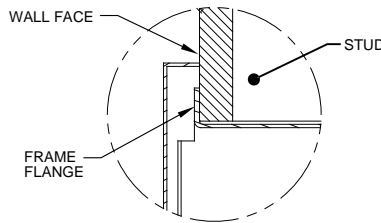
1. HOLD ROUGH-IN DIMENSIONS ± 1/8" (3.2mm)
2. WHEN INSTALLING THIS UNIT, LOCAL, STATE, OR FEDERAL CODES SHOULD BE ADHERED TO. FOR INSTALLATION HEIGHTS OTHER THAN SHOWN, DIMENSIONS MARKED (\*) MUST BE ADJUSTED ACCORDINGLY.
3. REFER TO 5874 SERIES OPERATION AND MAINTENANCE MANUAL FOR PUSH BUTTON AND VALVE INSTALLATION/MAINTENANCE INSTRUCTIONS.
4. REFER TO MTGFR.7 INSTALLATION DRAWING FOR FRAME ROUGH-IN DIMENSIONS.
5. INSERT 5/16"-18 PANEL NUT RETAINERS FROM OPPOSITE SIDE AT LOCATIONS SHOWN.
6. FOUNTAIN REMOVAL: FIRST REMOVE SCREWS AND THEN SQUEEZE CLIPS ON NUT RETAINER TO POP OUT. INSTALL IS REVERSE OF REMOVAL.
7. ALIGN HOLES IN CHILLER SUPPORT TRAY WITH HOLES IN FRAME AND FASTEN WITH #10 SHEET METAL SCREWS.
8. ROUGH-IN DIMENSIONS FOR FOUNTAIN HEIGHTS:

CHILD WHEELCHAIR HEIGHT:  
 WASTE: 26-1/4" (667mm)  
 SUPPLY: 26-1/8" (664mm)  
 FOUNTAIN: 24" (610mm)  
 BUBBLER: 29-7/8" (756mm)  
 FRAME: 3-1/8" (79mm)

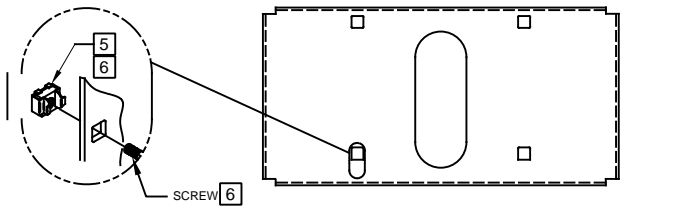
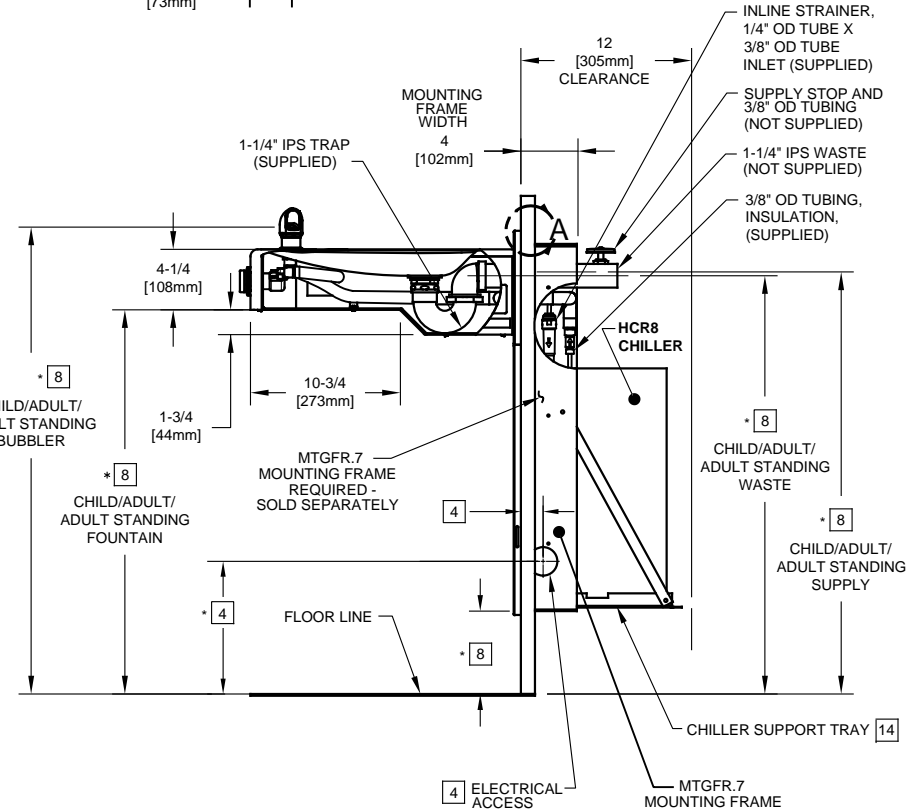
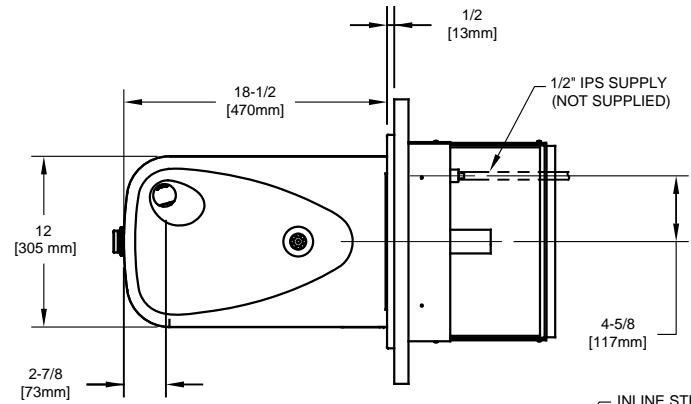
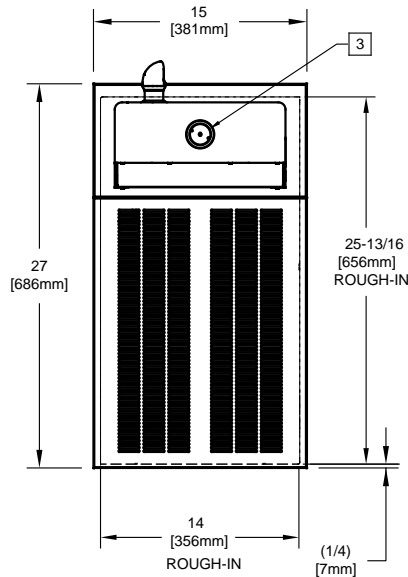
ADULT WHEELCHAIR HEIGHT:  
 WASTE: 29-1/4" (743mm)  
 SUPPLY: 29-1/8" (740mm)  
 FOUNTAIN: 27" (686mm)  
 BUBBLER: 32-7/8" (832mm)  
 FRAME: 6-1/8" (156mm)

ADULT STANDING HEIGHT:  
 WASTE: 34-3/4" (883mm)  
 SUPPLY: 34-5/8" (879mm)  
 FOUNTAIN: 32-1/2" (826mm)  
 BUBBLER: 39-3/8" (972mm)  
 FRAME: 11-5/8" (384mm)

**IMPORTANT: MOUNTING FRAME MUST BE INSTALLED SO THAT LIP OF FRAME SITS AGAINST FINISHED WALL FACE.**



**DETAIL A**



**BOWL MOUNTING DETAIL**

		1455 KLEPPE LANE SPARKS, NEVADA 89431 (775) 359-4712 FAX (775) 359-7424 E-MAIL: HAWS@HAWSCO.COM WEBSITE: WWW.HAWSCO.COM	
		ECN NO. REVISED PER BY: MODEL(S) ECN: 5545 FV	H1107.8
DRAWN: C.FENNER DATE: 12-19-06 CHKD.: DP	APPROVED: FV DATE: 06/26/20	SCALE: N/A DRAWING TYPE: INSTALLATION	REVISION 15 SHEET 1 OF 1