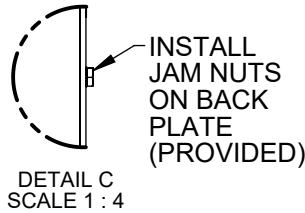


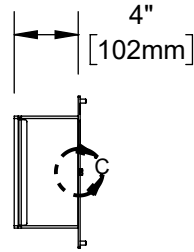
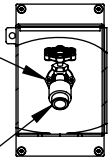
NOTES:

- HOSE BIB IS DESIGNED TO MOUNT ON ANY AVAILABLE 36XX PEDESTAL SIDE ACCESS PLATE LOCATION.
- WHEN INSTALLING THIS UNIT, LOCAL, STATE, OR FEDERAL CODES SHOULD BE ADHERED TO. INSTALL A SCREWDRIVER STOP IN THE SUPPLY LINE IF REQUIRED.



ATTACH HOSE BIB TO PLATE WITH TAMPER RESISTANT SCREWS (PROVIDED)

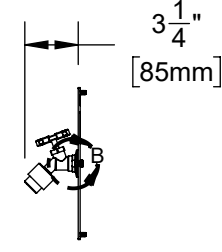
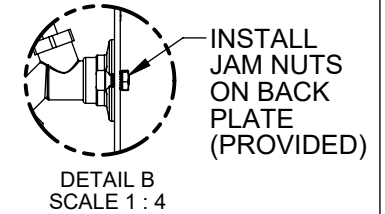
INSTALL VACUUM BREAKER (PROVIDED)



1/2" NPT (F) SUPPLY CONNECTION

ATTACH HOSE BIB TO PLATE WITH TAMPER RESISTANT SCREWS (PROVIDED)

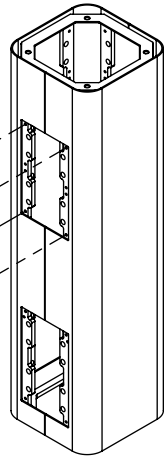
INSTALL VACUUM BREAKER (PROVIDED)



1/2" NPT (F) SUPPLY CONNECTION

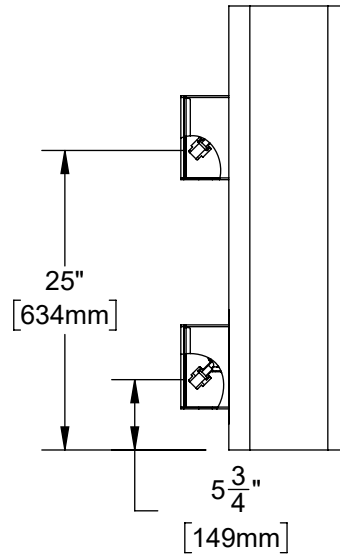
SLIDING DOOR SECURED BY PADLOCK

4X 1/4"-20 TAMPER RESISTANT SCREWS (SCREWS & HEX KEY PROVIDED)



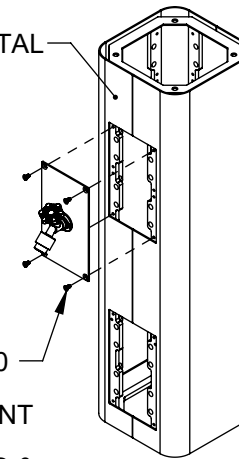
**3660
LOCKABLE HOSE BIB**

(OPTIONAL INSTALL LOCATIONS SHOWN)



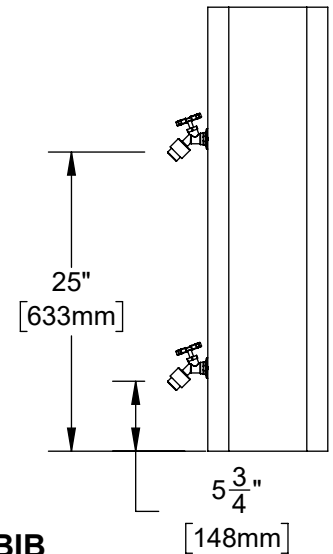
36XX PEDESTAL

4X 1/4"-20 TAMPER RESISTANT SCREWS (SCREWS & HEX KEY PROVIDED)



**3661
HOSE BIB**

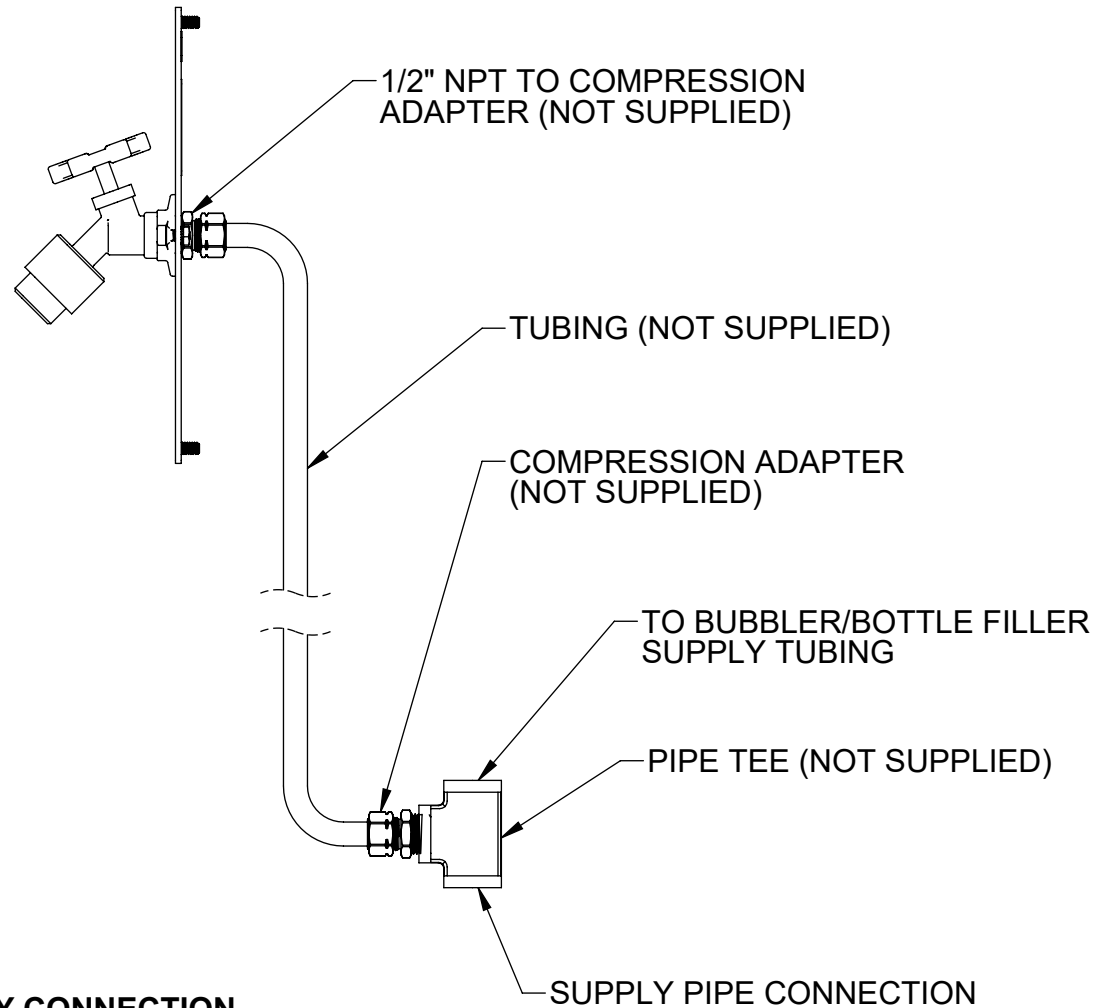
(OPTIONAL INSTALL LOCATIONS SHOWN)



1455 KLEPPE LANE
SPARKS, NEVADA 89431
(775) 359-4712 FAX (775) 359-7424
E-MAIL: HAWS@HAWSO.COM
WEBSITE: WWW.HAWSO.COM

ECN: 5226	REV. ECN: 5620	BY: DP	MODEL(S)	PART NUMBER
DRAWN: MH	DATE: 04/24/17	CHKD: FV	3660/3661	0510000779.D
APPROVED: JL	DATE: 12/30/20	SCALE: 1:16	DRAWING TYPE: INSTALLATION	REVISION: 3
			SIZE: A	SHEET 1 OF 2

CAUTION! THIS HOSE BIB ACCESSORY IS NOT FREEZE RESISTANT! TO PREVENT DAMAGE TO THE UNIT AND A POTENTIAL FLOODING HAZARD, DO NOT INSTALL IN LOCATIONS THAT HAVE THE POTENTIAL TO FREEZE.



RECOMMENDED WATER SUPPLY CONNECTION

HAWS RECOMMENDS THE USE OF 1/2" O.D. TUBING AND FITTINGS TO MAXIMIZE WATER PRESSURE TO FAUCET. IF FAUCET WATER PRESSURE IS NOT A CONCERN, THE USE OF 3/8" O.D. TUBING MAY BE SUBSTITUTED TO EASE INSTALLATION.

			1455 KLEPPE LANE SPARKS, NEVADA 89431 (775) 359-4712 FAX (775) 359-7424 E-MAIL: HAWS@HAWS.CO.COM WEBSITE: WWW.HAWS.CO.COM		
			ECN: 5226 REV. ECN: 5620 DRAWN: MH APPROVED: JL	BY: DP CHKD: FV DATE: 04/24/17 DATE: 12/30/20	MODEL(S) 3660/3661
SCALE: 1:4 DRAWING TYPE: INSTALLATION SIZE: A			SHEET 2 OF 2		