



INSTALLATION, OPERATION & MAINTENANCE INSTRUCTIONS

1455 Kleppe Lane ♦ Sparks, NV 89431-6467 ♦ (775) 359-4712 ♦ Fax (775) 359-7424
HAWS AG ♦ Bachweg 3 ♦ CH-3401 Burgdorf ♦ Switzerland
Haws Mfg. Pte Lt. ♦ 2A Sungei Kadet Drive ♦ Singapore 729554
Avlis-Avenida Senador, Testonio Vilela ♦ 505 Jardim Aeroporto ♦ Itu, S.P. 13304-550 ♦ Brasil
E-mail: haws@hawsco.com ♦ website: www.hawsco.com

No. 2080217(7)

Model 9037 Modesty Curtain

NOTE TO INSTALLER: Please leave this information with the Maintenance Department.

LIMITED WARRANTY

HAWS® warrants that all of its products are guaranteed against defective material or poor workmanship for a period of **one year from date of shipment**. HAWS liability under this warranty shall be discharged by furnishing without charge F.O.B. HAWS Factory any goods, or part thereof, which shall appear to the Company upon inspection to be of defective material or not of first class workmanship, provided that claim is made in writing to company within a reasonable period after receipt of the product. Where claims for defects are made, the defective part or parts shall be delivered to the Company, prepaid, for inspection. HAWS will not be liable for the cost of repairs, alterations or replacements, or for any expense connected therewith made by the owner or his agents, except upon written authority from HAWS, Sparks, Nevada. HAWS will not be liable for any damages caused by defective materials or poor workmanship, except for replacements, as provided above. Buyer agrees that Haws has made no other warranties either expressed or implied in addition to those above stated, except that of title with respect to any of the products or equipment sold hereunder and that HAWS shall not be liable for general, special, or consequential damages claimed to arise under the contract of sale.

The emergency equipment manufactured by HAWS is warranted to function if installation and maintenance instructions provided are adhered to. The units also must be used for the purpose, which they were intended. This product is intended to supplement first-aid treatment. Due to widely varying conditions HAWS cannot guarantee that the use of this emergency equipment will prevent serious injury or the aggravation of existing or prior injuries.

NO OTHER WARRANTIES EXPRESSED OR IMPLIED ARE AUTHORIZED, PROVIDED OR GIVEN BY HAWS.

SHOULD YOU EXPERIENCE DIFFICULTY WITH THE INSTALLATION OF THIS MODEL, PLEASE CALL:

1-800-766-5612

FOR PARTS CALL:

1-800-758-9378

**(U.S.A. AND CANADA ONLY) MONDAY-THURSDAY: 6:00 A.M. – 4:00 P.M. PST
FRIDAY: 6:00 A.M – 1:00 P.M. PST**

RECOMMENDED TOOL: 6" crescent wrench

LOCATION OF UNIT: The Model 9037 Modesty Curtain is designed to be used with all makes of free standing and wall mounted emergency showers.

INSTALLATION PROCEDURE: Refer to installation drawing to clarify installation. Steps 1-3 refer to the Installation Drawing. Check parts lists to insure all required parts are included.

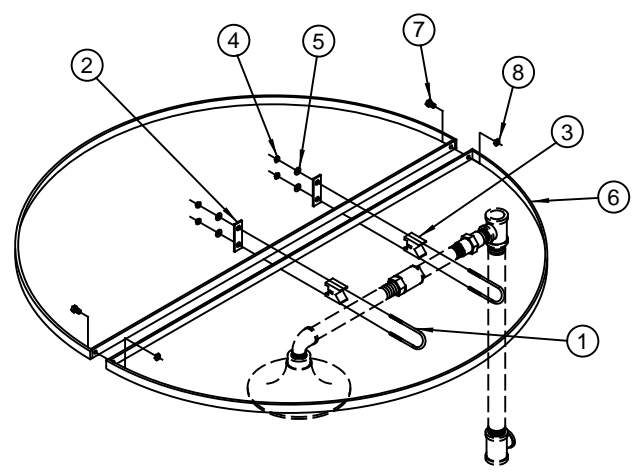
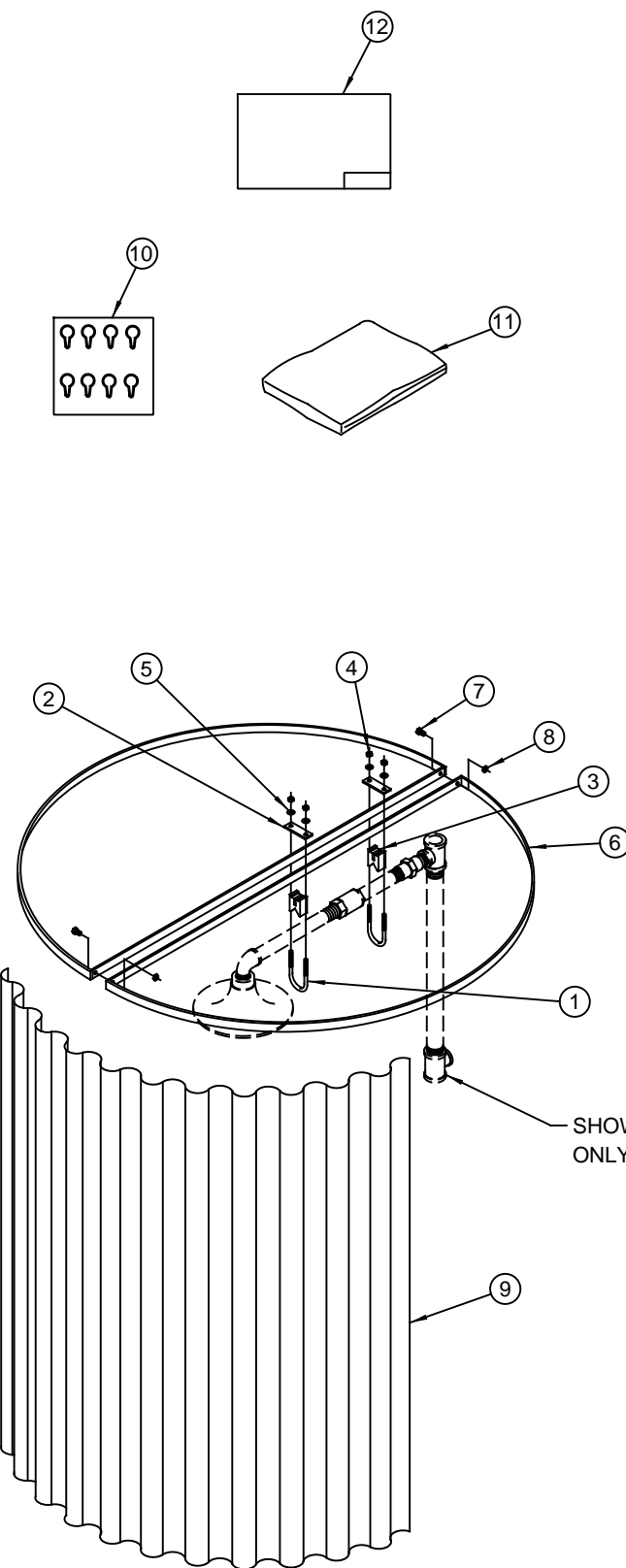
FOR FREE STANDING AND WALL MOUNTED EMERGENCY SHOWERS:

STEP ONE: Place V block (items 3) on the above overhead 1". Then put on U bolt (item 1) over the pipe. Place the two center pieces together into the V-block notch (as shown on drawing on page two). Use the clamp (item 2), washers (item 5) and nuts (item 4) to hold the loop. Do not tighten the nuts.

STEP TWO: Assemble the second U bolt/V block assembly according to the instructions in step one. Check the drawing on page one for proper position of the curtain and tighten securely.

STEP THREE: Insert clips (item 11) into the loops (item 6) and attach the curtain (item 9) by making sure that the pockets are in the inside. Insert one modesty gown in each pocket. Test the closing and opening of the curtain to ensure that it functions properly.

ITEM	DESCRIPTION	PART NO.
1	BOLT U 5/16-18 (QTY. 2)	---
2	CLAMP 9037 (QTY. 2)	---
3	BLOCK W/SLOT 9037 (QTY. 2)	---
4	NUT 5/16-18 HEX (QTY. 4)	---
5	WASHERS 5/16" (QTY. 4)	---
6	LOOP CURTAIN HALF 9037 (QTY. 2)	---
7	SCREW 3/8-24 X 5/8" (QTY. 2)	---
8	NUT 3/8-24 (QTY. 2)	---
9	CURTAIN 9037 (QTY. 1)	---
10	CLIPS 9037 (QTY. 16)	---
11	MODESTY GOWN (QTY. 1)	---
12	INSTALLATION INSTRUCTIONS (QTY.1)	---




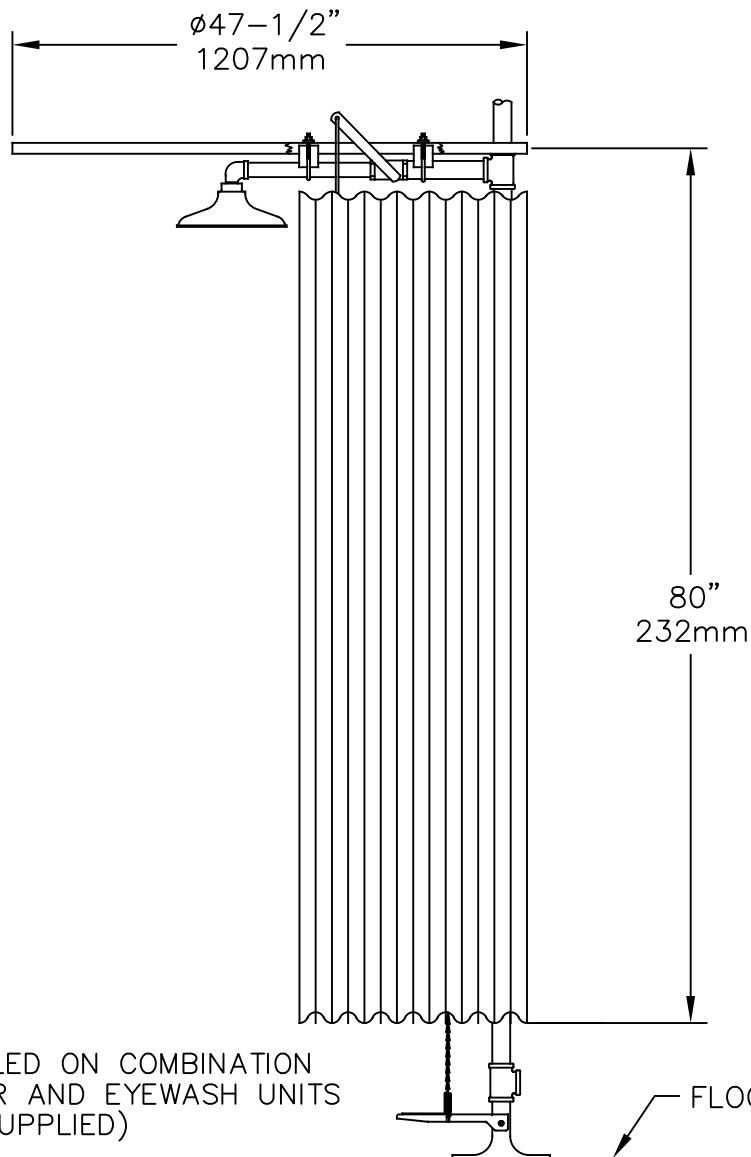
OPTIONAL INSTALLATION SET-UP
(SIDE MOUNTED)

SHOWERS SHOWN FOR REFERENCE ONLY (NOT SUPPLIED).

PARTS BREAKDOWN

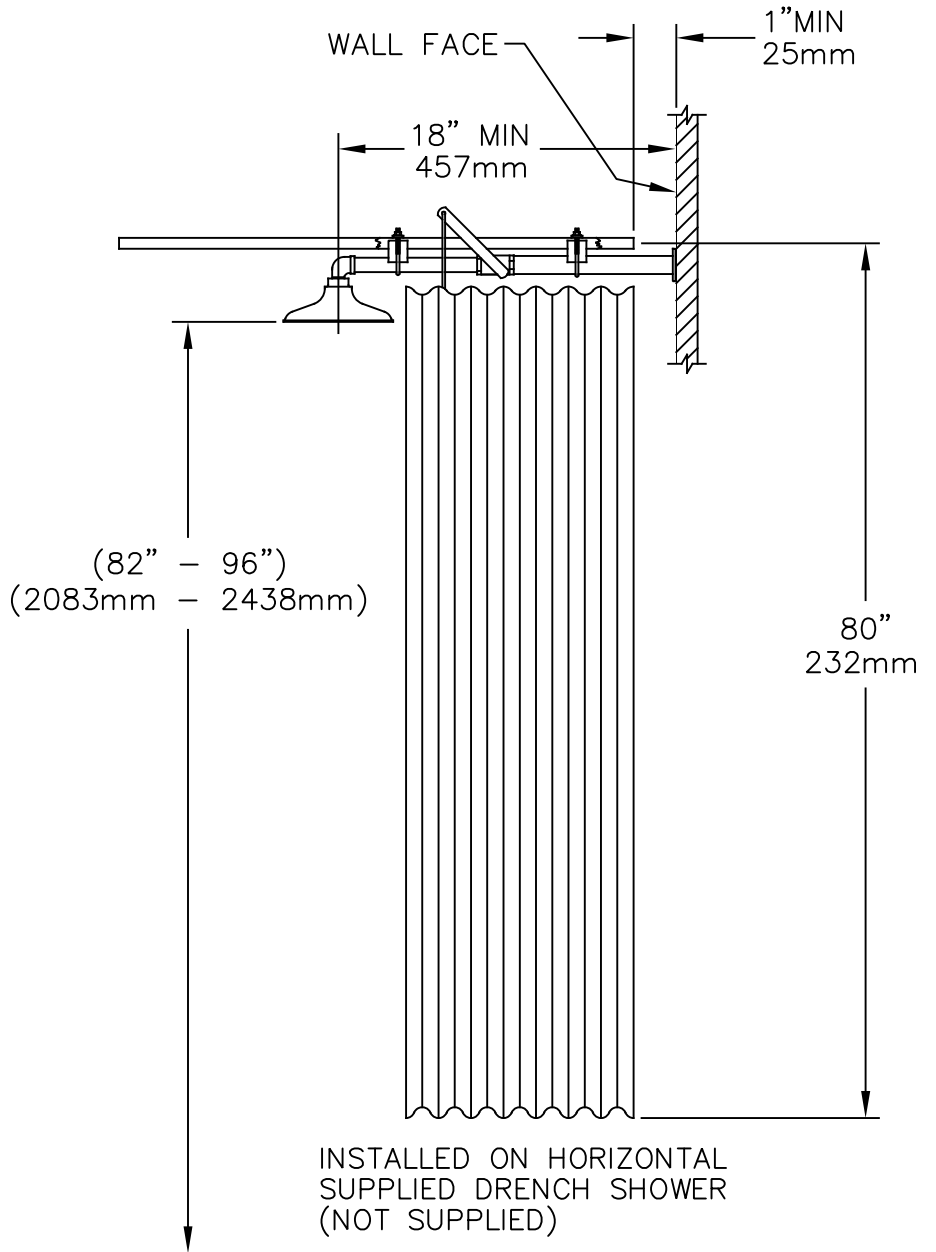
WHEN ORDERING PARTS PLEASE SPECIFY MODEL NUMBER.

			1455 KLEPPE LANE SPARKS, NEVADA 89431 (775) 359-4712 FAX (775) 359-7424 E-MAIL: HAWS@HAWSCO.COM WEBSITE: WWW.HAWSCO.COM		
ECN NO.	REVISED PER	BY	MODEL(S)		PART NUMBER
.	ECN: 5297	FV	9037		0002080217
DRAWN	DATE	CHKD	MODESTY CURTAIN		REVISION
C.H.	06/01/96	JP			7
APPROVED	DATE	SCALE: N/A DRAWING TYPE: PARTS BREAKDOWN			SIZE: A SHEET 1 OF 1
FV	05/17/18				




INSTALLED ON COMBINATION SHOWER AND EYEWASH UNITS (NOT SUPPLIED)

FLOOR LINE



INSTALLED ON HORIZONTAL SUPPLIED DRENCH SHOWER (NOT SUPPLIED)

NOTE:
THE ANSI STANDARD SPECIFIES SHOWER HEAD HEIGHT TO BE 82" (283mm) TO 96" (2438mm) ABOVE THE FLOOR.

		Haws®		1455 KLEPPE LANE SPARKS, NEVADA 89431 (775) 359-4712 FAX (775) 359-7424 E-MAIL: HAWS@HAWS.CO.COM WEBSITE: WWW.HAWS.CO.COM	
		ECN NO. REVISED PER BY: MODEL(S) ECN: 5297 F.V.	9037 MODESTY CURTAIN		PART NUMBER 0002080217.D
DRAWN: C.H.	DATE: 05-91	CHKD.: JP	REVISION 7		SHEET 1 OF 1
APPROVED: FV	DATE: 05/17/18	SCALE: 1:18.62	DRAWING TYPE: INSTALLATION	SIZE: A	SHEET 1 OF 1