



INSTALLATION, OPERATION & MAINTENANCE INSTRUCTIONS

1455 Kleppe Lane ♦ Sparks, NV 89431-6467 ♦ (775) 359-4712 ♦ Fax (775) 359-7424
E-mail: haws@hawsco.com ♦ website: www.hawsco.com

No. 2077071(11)

Model 9001EXPC1D1 Alarm

NOTE TO INSTALLER: Please leave this information with the Maintenance Department.

LIMITED WARRANTY

HAWS warrants that this specific product is guaranteed against defective material or poor workmanship for a period of **one year from date of shipment**. HAWS liability under this warranty shall be discharged by furnishing without charge F.O.B. HAWS Factory any goods, or part thereof, which shall appear to the Company upon inspection to be of defective material or not of first class workmanship, provided that claim is made in writing to Haws within a reasonable period after receipt of the product. Where claims for defects are made, the defective part or parts shall be delivered to the Company, prepaid, for inspection. HAWS will not be liable for the cost of repairs, alterations or replacements, or for any expense connected therewith made by the owner or his agents, except upon written authority from HAWS, Sparks, Nevada. HAWS will not be liable for any damages caused by defective materials or poor workmanship, except for replacements, as provided above. Buyer agrees that Haws has made no other warranties either expressed or implied in addition to those above stated, except that of title with respect to any of the products or equipment sold hereunder and that HAWS shall not be liable for general, special, or consequential damages claimed to arise under the contract of sale.

The emergency equipment manufactured by HAWS is warranted to function if installation and maintenance instructions provided are adhered to. The units also must be used for the purpose for which they were intended. This product is intended to supplement first-aid treatment. Due to widely varying conditions, Haws cannot guarantee that the use of this emergency equipment will prevent serious injury or the aggravation of existing or prior injuries.

NO OTHER WARRANTIES EXPRESSED OR IMPLIED ARE AUTHORIZED, PROVIDED OR GIVEN BY HAWS.

SHOULD YOU EXPERIENCE DIFFICULTY WITH THE INSTALLATION OF THIS MODEL PLEASE CALL:

TECHNICAL SUPPORT: 1-800-766-5612

FOR CUSTOMER SERVICE: 1-888-640-4297

RECOMMENDED TOOLS: Pipe joint sealant, screwdriver, pipe wrench, 14 AWG wire, 3/4" conduit and basic electricians' tools for power connection.

LOCATION OF UNIT: The Model 9001EXPC1D1 Alarm may be mounted directly to the upper stand pipe of a safety shower or wall mounted next to a shower or eyewash. The alarm should be clearly visible from several directions.

ELECTRICAL SUPPLY: 120 VAC 50/60 HZ, 23 Watts average power consumption. Suitable for use in Class I, Division 1, Group C, D areas; Temperature rating T4 (135°C).

WARNING: Power shall be supplied by a dedicated circuit through a **10 AMP maximum** breaker or fuse and should not supply any power to any other devices.

WATER SUPPLY: The flow switch requires a minimum of 2.4 GPM to activate. Mount flow switch in supply line with flow in horizontal direction and switch stem extending vertically from tee. Mount switch with at least 6" of straight pipe on both sides to minimize turbulence in switch.

TROUBLESHOOTING

| PROBLEM | REPAIR CHECKLIST |
|---|--|
| 1. Alarm horn and lamp do not operate. | 1a. Check incoming circuit for power and power from flow switch. b. Check that the direction of water flow corresponds to the arrow on the flow switch body. c. Check that water flow is sufficient. d. Check all electrical connections for security, including those in alarm base. e. Faulty flow switch. Replace entire switch assembly. f. Faulty flasher module in alarm. Replace flasher module. |
| 2. Horn sounds but lamp does not flash. | 2a. Only replace lamp with Haws P/N 0003225505. (See Sheet 3 of Installation drawing) b. Should replacement lamp also fail to operate, replace flasher module. |
| 3. Lamp replacement. | 3a. Remove the guard/globe assembly from the light fixture to replace the lamp. Only replace lamp with Haws P/N 0003225505. (See Sheet 3 of Installation drawing) |
| 4. Alarm stays on. | 4a. Check wiring connections. b. Disconnect flow switch wires and test for continuity. |

INSTALLATION PROCEDURE

***WARNING: EXPLOSION HAZARD – SUBSTITUTION OF COMPONENTS MAY IMPAIR SUITABILITY FOR CLASS 1, DIVISION 1.**

- STEP 1:** Choose a location for mounting the flow switch in the water supply line. The inlet and outlet ports of the flow switch must be a minimum of 6 inches from any tees or elbows in the water supply line. See attached installation drawing.
- STEP 2:** Mount the flow switch assembly in the water supply line. The switch body must be in the vertical position with the water pipe horizontal. The water flow must be in the direction marked by the arrow on the flow switch body. Use pipe sealing compound on all water pipe connections.
- STEP 3:** Choose a location for mounting the alarm assembly. The alarm housing should be positioned along a vertical axis at least 7 feet above ground for best visibility. The alarm may be mounted directly to a water pipe using the supplied brackets. The alarm can also be bolted to a flat surface such as a wall, using flanges with appropriate fasteners (not supplied).
- STEP 4:** Using wire nuts, connect the flow switch to the alarm and power. The pink and orange wires are connected to the second normally closed contact of the flow switch and may be used for remote alarm activation. The signal from the pink wire will be supply voltage, to be provided to orange wire by customer, when no water is flowing and zero voltage when the flow switch and local alarm are activated. If a remote alarm is not used, the pink and orange wires must be insulated at their free ends. Power to be routed using rigid conduit and a seal fitting or Class 1, Division 1 rated armored cable and an appropriate gland fitting. See Electrical Wiring Diagram provided on installation drawing. Follow all instructions in installation drawing and NEC code when installing unit.

OPERATION AND TEST INSTRUCTIONS

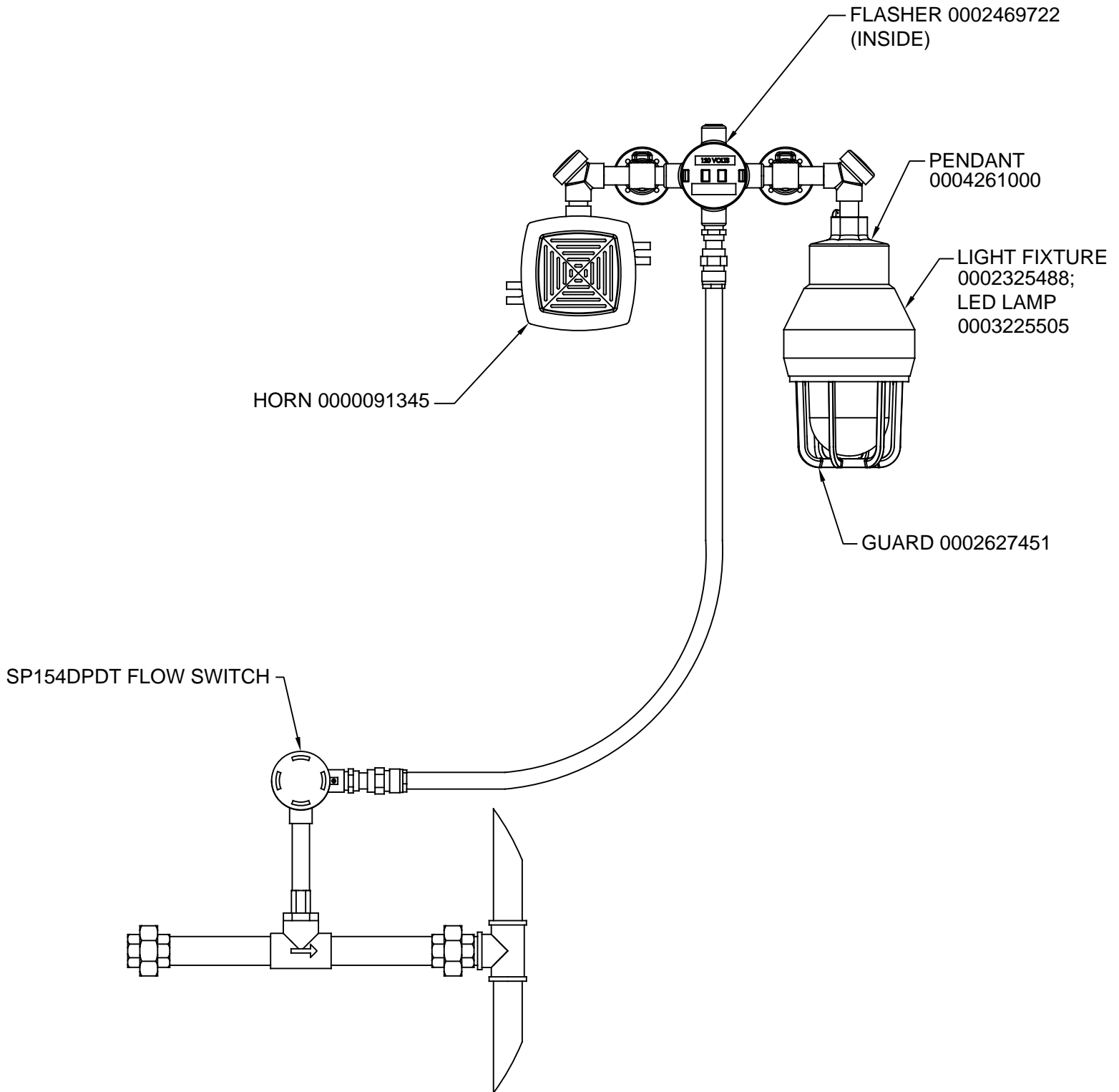
Test weekly. Instruct all employees in the use of emergency showers and eyewashes.

- STEP 1:** Apply power to the alarm branch circuit. The alarm should remain OFF.
- STEP 2:** Open the shower or eyewash flow valve. The alarm should sound and the light should flash shortly after water flows from the system.
- STEP 3:** Shut off the flow valve. The alarm should turn off.


For more information about Haws products see our website: www.hawsc.com

© 2017 Haws® Corporation – All Rights Reserved
HAWS® and other trademarks used in these materials are the exclusive property of Haws Corporation.

PARTS BREAKDOWN

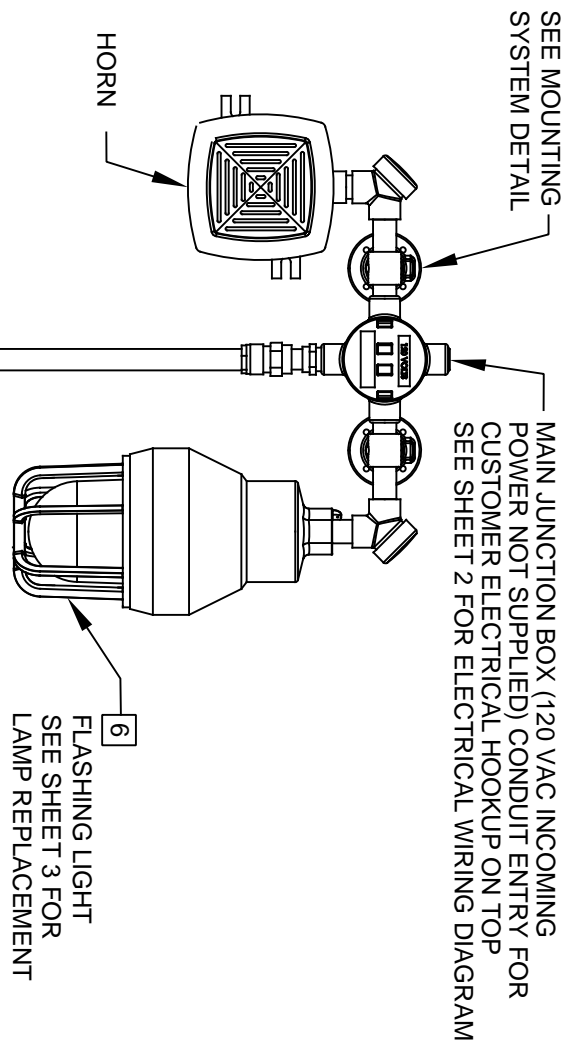


WHEN ORDERING PARTS PLEASE SPECIFY MODEL NUMBER.

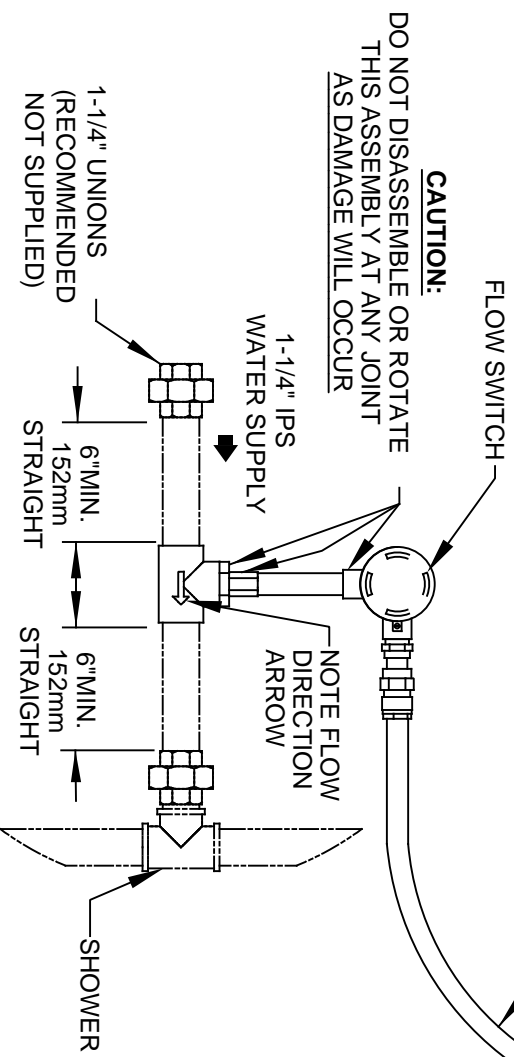
| | | | | | |
|---|------------------|--------------------------|-------------------------------|---|-------------------------|
|  | | Haws [®] | | 1455 KLEPPE LANE SPARKS, NEVADA 89431 (775) 359-4712 FAX (755) 359-7424 E-MAIL: HAWS@HAWS.CO.COM WEBSITE: WWW.HAWS.CO.COM | |
| | | | | ECN NO. REVIS PER BY ECN: 5197 GC | MODEL(S) 9001EXPC1D1 |
| DRAWN SLS | DATE 7/15/08 | CHKD | | | DRAWING NO. A |
| APPROVED FV | DATE 09/25/17 | SCALE: 1:1 | DRAWING TYPE: PARTS BREAKDOWN | SIZE: A | SHEET 1 OF 1 |

NOTES:

1. AUDIBLE AND VISIBLE ALARM ACTIVATED WHEN SHOWER OR EYEWASH IS IN USE.
2. ALL ELECTRICAL COMPONENTS UL CERTIFIED. 120VAC SUPPLY VOLTAGE REQUIRED, APPROXIMATELY 100VA ALL ELECTRICAL HOOKUPS TO MAIN JUNCTION BOX.
3. SUITABLE FOR CLASS I, DIV. 1 GROUPS C, D TEMPERATURE RATING T4 (135°C) LOCATION.
4. LIGHT MUST BE ORIENTED IN A VERTICAL POSITION AS SHOWN IN ORDER TO MEET NEMA 4 RATING.
5. INSTALLER MUST USE THREAD SEALANT, SUCH AS APPLETON TLC3, RECOMMENDED FOR USE IN HAZARDOUS LOCATIONS ON ALL ELECTRICAL NPT CONNECTIONS.

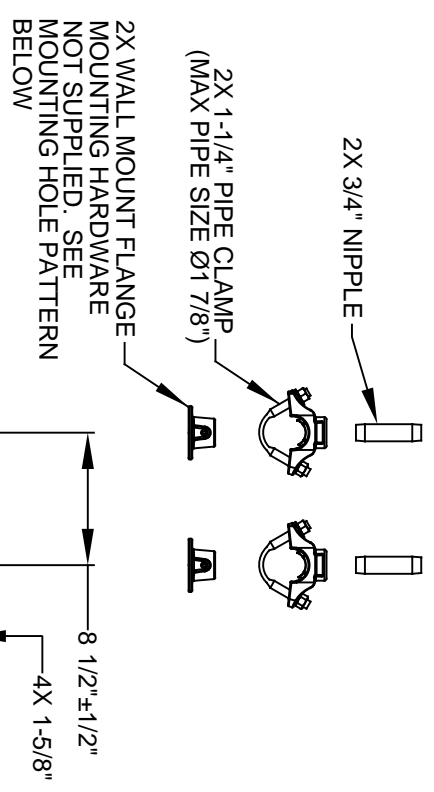


ARMORED CABLE: MINIMUM BEND RADIUS 5"; DO NOT CUT OR MODIFY.

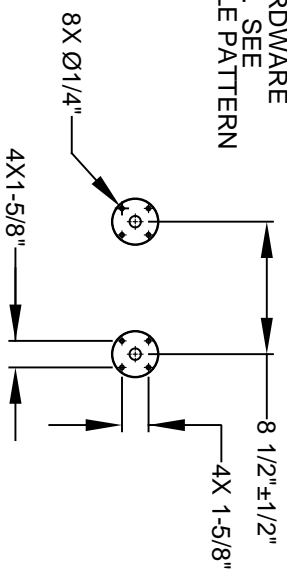


CAUTION:
DO NOT DISASSEMBLE OR ROTATE THIS ASSEMBLY AT ANY JOINT AS DAMAGE WILL OCCUR

SWITCH MUST BE MOUNTED IN HORIZONTAL POSITION



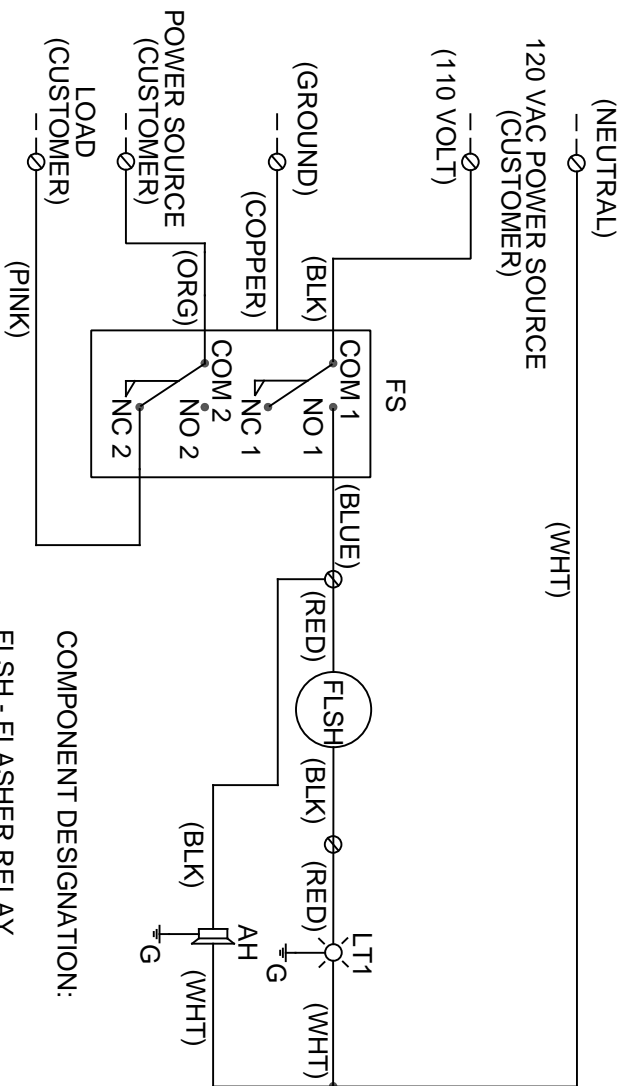
MOUNTING SYSTEM DETAIL (FOR PIPE OR WALL MOUNT)



Haws

1456 KLEPPE LANE
SPARKS, NEVADA, 89431
(775) 359-4712 FAX (775) 359-7424
E-MAIL: HAWS@HAWS.CO.COM
WEBSITE: WWW.HAWS.CO.COM

| | | |
|-------------------------|-------------------|---------------|
| ECN NO. REVISED PER BY: | MODEL(S) | PART NUMBER |
| 4140 | 9001EXPC1D1 ALARM | 00002077071.D |
| DATE: 07/08 | DATE: GC | DRAWING NO. |
| DATE: 09/25/17 | SCALE: 1:1 | 15361A001 11 |
| APPROVED: EV | DRAWING TYPE | REV |
| | INSTALLATION | 1 OF 3 |



COMPONENT DESIGNATION:
 FLSH - FLASHER RELAY
 LT1 - RED LIGHT
 FS - FLOW SWITCH
 AH - ALARM HORN

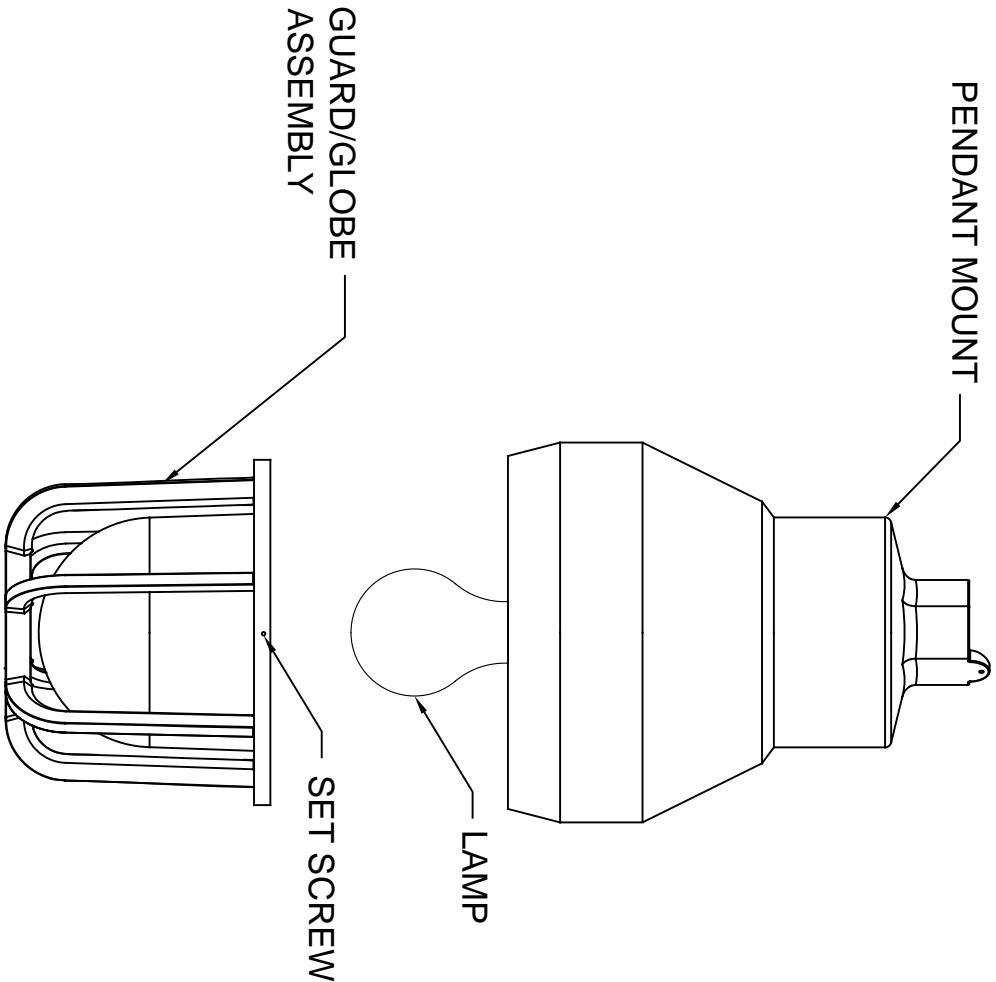
ELECTRICAL WIRING DIAGRAM

| | | | |
|--|---------------|-------------------------|--------------|
| | | MODEL(S) | |
| 1459 KLEPPE LANE SPARKS, NEVADA, 89431 (775) 359-4712 FAX (755) 359-7424 E-MAIL: HAWS@HAWS.CO.COM WEBSITE: WWW.HAWS.CO.COM | | 9001EXPC1D1 ALARM | |
| ECN NO. REVISED PER BY: | DATE: | ECN NO. REVISED PER BY: | DATE: |
| 4140 | 07/08 | 4140 | 07/08 |
| DRAWN: | CHKD: | DRAWN: | CHKD: |
| SLS | | SLS | |
| APPROVED: | DATE: | APPROVED: | DATE: |
| FV | 09/25/17 | FV | 09/25/17 |
| SCALE: | 1:1 | DRAWING TYPE: | INSTALLATION |
| PART NUMBER | 0002077071.D | SIZE: | A |
| DRAWING NO. REV | 13361A00 11 | SHEET: | 2 OF 3 |

NOTES: (CONTINUED FROM SHEET 1)

6 LIGHT REPLACEMENT INSTRUCTIONS:

- 1) REMOVE GUARD/GLOBE ASSEMBLY:
FIRST LOOSEN SET SCREW (LOCATED ON GUARD WHERE SHOWN). NEXT, ROTATE ASSEMBLY COUNTER CLOCKWISE UNTIL GUARD IS FREE FROM PENDANT MOUNT AND LAMP IS EXPOSED.
- 2) ONLY REPLACE LAMP WITH HAWS P/N 0003225505.
WARNING - EXPLOSION HAZARD - SUBSTITUTION OF COMPONENTS MAY IMPAIR SUITABILITY FOR CLASS 1, DIVISION 1.
- 3) REPLACE GUARD/GLOBE ASSEMBLY:
ROTATE ASSEMBLY CLOCKWISE ONTO THE PENDANT MOUNT UNTIL TIGHT AND TIGHTEN SET SCREW.



| | | | | | |
|---|----------------|--------------|---------------|--|---------|
|  | | Haws | | 1459 KLEPPE LANE SPARKS, NEVADA, 89431 (775) 359-4712 FAX (755) 359-7424 E-MAIL: HAWS@HAWSCO.COM WEBSITE: WWW.HAWSCO.COM | |
| ECN NO. REVISED PER BY: | MODEL(S) | PART NUMBER | | DRAWING NO. REV | |
| 4140 | 9001EXPC1D1 | 0002077071.D | | 15361A001 11 | |
| DATE: 07/08 | DATE: 09/25/17 | SCALE: 1:1 | DRAWING TYPE: | INSTALLATION: | SIZE: A |
| CHKD: JP | DATE: 09/25/17 | SCALE: 1:1 | DRAWING TYPE: | INSTALLATION: | SIZE: A |
| DATE: 07/08 | DATE: 09/25/17 | SCALE: 1:1 | DRAWING TYPE: | INSTALLATION: | SIZE: A |
| DATE: 07/08 | DATE: 09/25/17 | SCALE: 1:1 | DRAWING TYPE: | INSTALLATION: | SIZE: A |