



INSTALLATION, OPERATION & MAINTENANCE INSTRUCTIONS

1455 Kleppe Lane ♦ Sparks, NV 89431-6467 ♦ (775) 359-4712 ♦ Fax (775) 359-7424
E-mail: haws@hawsc.com ♦ website: www.hawsc.com

No. 2080192(7)

Model 8901RFK Hose Spray

NOTE TO INSTALLER: Please leave this information with the Maintenance Department.

LIMITED WARRANTY

HAWS warrants that this specific product is guaranteed against defective material or poor workmanship for a period of **one year from date of shipment**. HAWS liability under this warranty shall be discharged by furnishing without charge F.O.B. HAWS Factory any goods, or part thereof, which shall appear to the Company upon inspection to be of defective material or not of first class workmanship, provided that claim is made in writing to Haws within a reasonable period after receipt of the product. Where claims for defects are made, the defective part or parts shall be delivered to the Company, prepaid, for inspection. HAWS will not be liable for the cost of repairs, alterations or replacements, or for any expense connected therewith made by the owner or his agents, except upon written authority from HAWS, Sparks, Nevada. HAWS will not be liable for any damages caused by defective materials or poor workmanship, except for replacements, as provided above. Buyer agrees that Haws has made no other warranties either expressed or implied in addition to those above stated, except that of title with respect to any of the products or equipment sold hereunder and that HAWS shall not be liable for general, special, or consequential damages claimed to arise under the contract of sale.

The emergency equipment manufactured by HAWS is warranted to function if installation and maintenance instructions provided are adhered to. The units also must be used for the purpose, which they were intended. This product is intended to supplement first-aid treatment. Due to widely varying conditions HAWS cannot guarantee that the use of this emergency equipment will prevent serious injury or the aggravation of existing or prior injuries.

NO OTHER WARRANTIES EXPRESSED OR IMPLIED ARE AUTHORIZED, PROVIDED OR GIVEN BY HAWS.

SHOULD YOU EXPERIENCE DIFFICULTY WITH THE INSTALLATION OF THIS MODEL PLEASE CALL:

TECHNICAL SUPPORT: 1-800-766-5612

FOR CUSTOMER SERVICE: 1-888-640-4297

LOCATION OF UNIT: The Model 8901RFK Hose Spray can be installed at any 1/2" NPT port, pressure side. (See installation drawing). Fittings supplied make kit adaptable to eye/face wash, shower, and combination models. In order to comply with state codes, the use of a vacuum breaker is required with all eye/face wash and body spray units (Haws offers Model SP212).

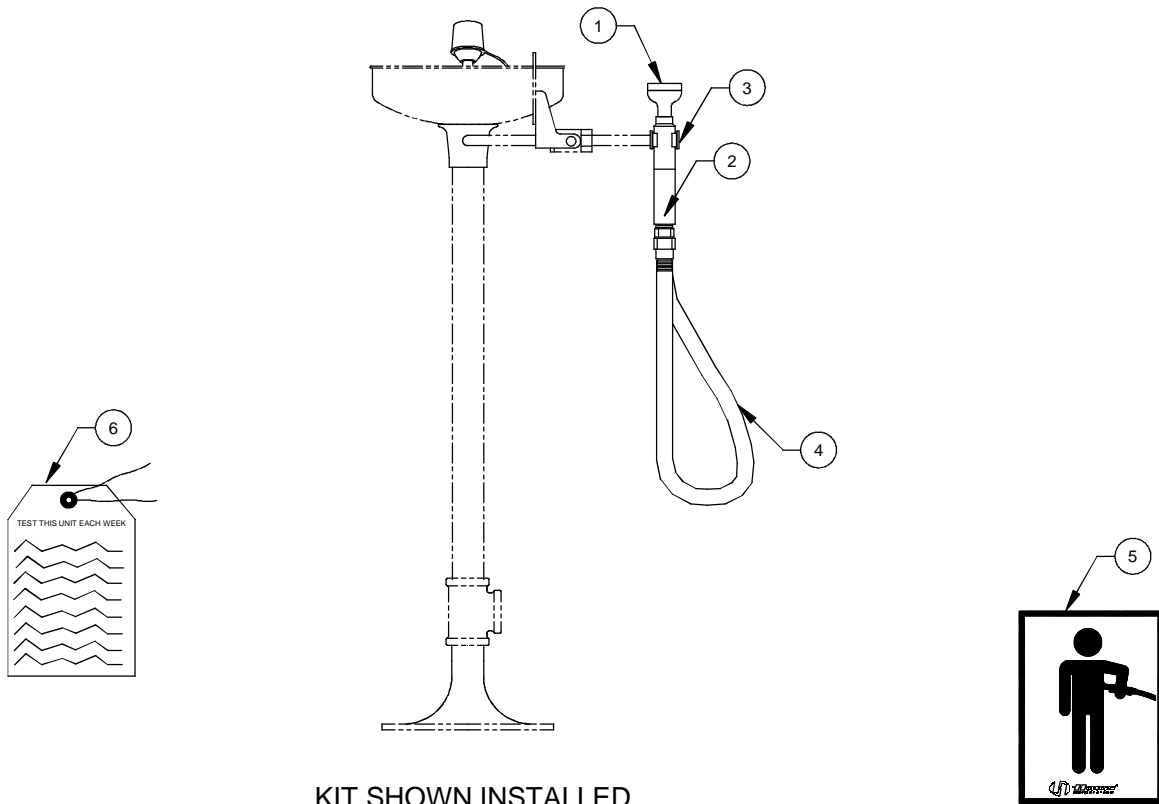
SUPPLY LINE: The minimum recommended line size is 1/2" IPS with 30-90 psi (2-6 ATM) pressure. Where sediment or mineral content is a problem, an inlet filter is recommended.

TROUBLESHOOTING	
PROBLEM	REPAIR CHECKLIST
1. No flow.	1. a. Check the main shut-off valve.
2. Insufficient water flow.	2. a. Verify minimum 30 psi (2 ATM) flowing supply line pressure. b. Probable clogging of flow control due to inadequate line flushing. Disassemble eyewash at inlet connection to gain access and clean rubber flow control. c. Unscrew eye/face wash head cap off to gain access to the buffer and clean it.

For more information about Haws products, see our website: www.hawesco.com

ITEM	DESCRIPTION	PART NO.
1	EYE/FACE WASH HEAD	0002974804
2	FLOW CONTROL	
3	VALVE ASSEMBLY	SP248
4	HOSE ASSEMBLY	SP140
5	HOSE SPRAY SIGN	SP176
6	TEST TAG	SP170
-	VALVE REPAIR KIT	VRK SP248

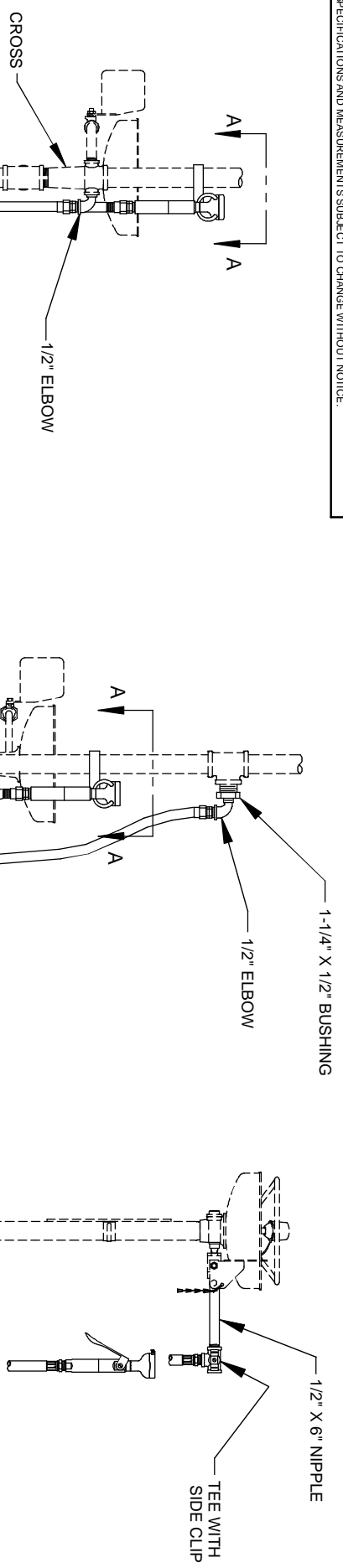
PARTS BREAKDOWN



KIT SHOWN INSTALLED
WITH PEDESTAL EYEWASH UNIT

 Haws [®]		1455 KLEPPE LANE SPARKS, NEVADA 89431 (775) 359-4712 FAX (775) 359-7424 E-MAIL: HAWS@HAWS.CO.COM WEBSITE: WWW.HAWS.CO.COM		
		ECN NO. REVISED PER BY ECN: 4938 VWC	MODEL(S) 8901 BODY SPRAY RETROFIT KIT	PART NUMBER 0002080192
DRAWN CLF	DATE 3/17/93	CHKD	DRAWING NO. 11511C00	REV 7
APPROVED FV	DATE 01/08/15	SCALE: 1:6	DRAWING TYPE: PARTS BREAKDOWN	SIZE: A SHEET 1 OF 1

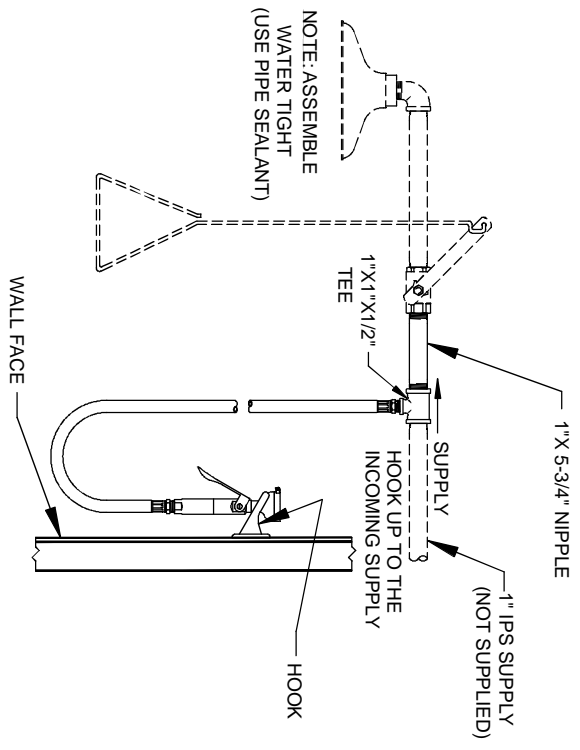
WHEN ORDERING PARTS PLEASE SPECIFY MODEL NUMBER.



RETROFIT KIT EYE/FACE WASH INSTALLED WITH UNITS PROVIDED WITH A CROSS

RETROFIT KIT EYE/FACE WASH INSTALLED WITH UNITS NOT PROVIDED WITH A CROSS

RETROFIT KIT EYE/FACE WASH INSTALLED WITH PEDESTAL EYEWASH UNIT



NOTES:

1. IN ORDER TO COMPLY WITH STATE CODES, THE USE OF A VACUUM BREAKER IS REQUIRED WITH ALL HAND HELD EYE/FACE WASH AND BODY SPRAY UNITS (HAW'S OFFERS MODEL SP212).

		1455 KLEPPE LANE SPARKS, NEVADA 89431 (775) 359-4712 FAX (775) 359-7424 E-MAIL: HAW'S@HAWSCO.COM WEBSITE: WWW.HAWSCO.COM	
ECN NO. REVISED PER: BY:	MODEL(S)	PART NUMBER	
ECN: 4938 WWC	8901 BODY SPRAY RETROFIT KIT	0002080192D	
DATE: 07/09/91	CHK'D:	DRAWING NO.	REV
APPROVED: F.V.	DATE: 01/08/15	SCALE: 1:14	DRAWING TYPE: INSTALLATION
SIZE: A	SHEET: 1 OF 1	DRAWING NO. 09555A00 REV 7	