



# INSTALLATION, OPERATION & MAINTENANCE INSTRUCTIONS

1455 Kleppe Lane ♦ Sparks, NV 89431-6467 ♦ (775) 359-4712 ♦ Fax (775) 359-7424  
E-mail: [haws@hawsco.com](mailto:haws@hawsco.com) ♦ website: [www.hawsco.com](http://www.hawsco.com)

No. 0002080061 (18)

## Model 7601.37 Portable Eyewash

**NOTE TO INSTALLER:** Please leave this information with the Maintenance Department.

### LIMITED WARRANTY

HAWS warrants that this specific product is guaranteed against defective material or poor workmanship for a period of **one year from date of shipment**. HAWS liability under this warranty shall be discharged by furnishing without charge F.O.B. HAWS Factory any goods, or part thereof, which shall appear to the Company upon inspection to be of defective material or not of first class workmanship, provided that claim is made in writing to Haws within a reasonable period after receipt of the product. Where claims for defects are made, the defective part or parts shall be delivered to the Company, prepaid, for inspection. HAWS will not be liable for the cost of repairs, alterations or replacements, or for any expense connected therewith made by the owner or his agents, except upon written authority from HAWS, Sparks, Nevada. HAWS will not be liable for any damages caused by defective materials or poor workmanship, except for replacements, as provided above. Buyer agrees that Haws has made no other warranties either expressed or implied in addition to those above stated, except that of title with respect to any of the products or equipment sold hereunder and that HAWS shall not be liable for general, special, or consequential damages claimed to arise under the contract of sale.

The emergency equipment manufactured by HAWS is warranted to function if installation and maintenance instructions provided are adhered to. The units also must be used for the purpose for which they were intended. This product is intended to supplement first-aid treatment. Due to widely varying conditions, Haws cannot guarantee that the use of this emergency equipment will prevent serious injury or the aggravation of existing or prior injuries.

**NO OTHER WARRANTIES EXPRESSED OR IMPLIED ARE AUTHORIZED, PROVIDED OR GIVEN BY HAWS.**

**SHOULD YOU EXPERIENCE DIFFICULTY WITH THE INSTALLATION OF THIS MODEL PLEASE CALL:**

**TECHNICAL SUPPORT: 1-800-766-5612**

**FOR CUSTOMER SERVICE: 1-888-640-4297**

**LOCATION OF UNIT:** The Model 7601.37 should be placed in close proximity to potential accident areas. It should be clearly identified, free from obstructions and easily accessible.

**IMPORTANT:** Personal wash units shall be protected from freezing, and internal temperatures shall not exceed 38°C (100°F). Be careful of direct sunlight.

**WARNING:** Use only the handles and the tank skirt when lifting or moving this unit; doing otherwise may damage the unit.

**NOTICE:** Due to differing environments and end user conditions, caution should be observed and the product should be regularly monitored for wear, corrosion, and/or rough service, which can shorten the life of the product. The product should be removed from service if any wear or detrimental service issues occur and should, at minimum, be inspected annually.

## INSTALLATION INSTRUCTIONS

- STEP 1:** Verify that the tank is depressurized – check the pressure gauge and pull up on the relief valve ring.
- STEP 2:** Remove the cover plate on the top of the tank.  
Use potable water to flush and drain the tank at least twice.
- STEP 3:** Fill the tank with potable water to the top of the water level mark on the tube inside of the tank. A flashlight may be useful to locate the mark. Add Antimicrobial Preservative Haws Model 9082 as directed (see Step 3 under Maintenance section).
- STEP 4:** Lock the cover plate back in position.
- STEP 5:** Screw the eyewash assembly into the ball valve so that the eyewash is aligned with the push flag. Seal this joint with Loctite 680 (not supplied).
- STEP 6:** Charge the tank with clean compressed air to 100 PSI through the tire-type air valve.
- STEP 7:** The unit is ready for operation.

## OPERATION INSTRUCTIONS

Self-adjusting flow controls assure a constant even flow of .4 gpm for at least 30 minutes. Instruct all employees in the use of this Portable Emergency Eyewash. Personnel should be assigned to check eyewash liquid level and pressure before any work starts.

- STEP 1:** Lead the injured to the nearest eyewash station. Seconds can make a big difference in preventing serious eye injury.
- STEP 2:** Push the flag to activate the eyewash.
- STEP 3:** Lower head until eyes enter eyewash stream. Use thumbs and forefingers to hold eyelids open so water can flow on surfaces and in folds surrounding eyeballs.
- STEP 4:** Seek qualified medical attention immediately.

## MAINTENANCE

### **IMPORTANT: Before refilling the tank with water:**

Bleed pressure from the tank by pulling the metal ring on the relief valve. Keep hands and face away from the relief valve as it discharges, and wear hearing protection.

– OR –

Activate eyewash and allow unit to drain normally. Note that air will continue to escape after the water supply has been exhausted.

**NOTE:** Customer must use the supplied inspection tag to maintain a record of inspection dates and type of maintenance performed (e.g. adding Antimicrobial Preservative Haws Model 9082, cleaning tank).

**STEP 1:** When water is filled up to the water level mark on the tube inside the tank, the unit weighs approximately 400 lbs. Use good judgment to check the water level. See Step 4 for additional information regarding units that have been activated.

**STEP 2:** Self contained eyewash equipment shall be visually checked to determine if flushing fluid needs to be changed or supplemented. See Step 4 for additional information regarding units that have been activated.

**STEP 3:** Take proper precautions to help prevent the growth of bacteria in the eyewash tank. Utilize **either** of the following procedures:

**Procedure A:** Use a suitable antimicrobial preservative, such as Haws Model 9082, to help prevent the growth of bacteria in eyewash tank. The tank should be drained, flushed and refilled with potable water and Antimicrobial Preservative Haws Model 9082 as directed by the preservative's manufacturer.

**Procedure B:** Drain, flush and refill tank with potable water at least once every week. Thoroughly cleanse tank at least once every month.

**NOTE:** Acanthamoeba survive mild chlorination and are commonly found in tap water. Antimicrobial Preservative Haws Model 9082 will prevent the growth of Acanthamoeba. Hot water, 158°F (70°C) or hotter will destroy Acanthamoeba but must be allowed to cool prior to use in eyewash units.

**STEP 4:** If tank pressure drops below 95 psi, ensure the following steps are implemented:

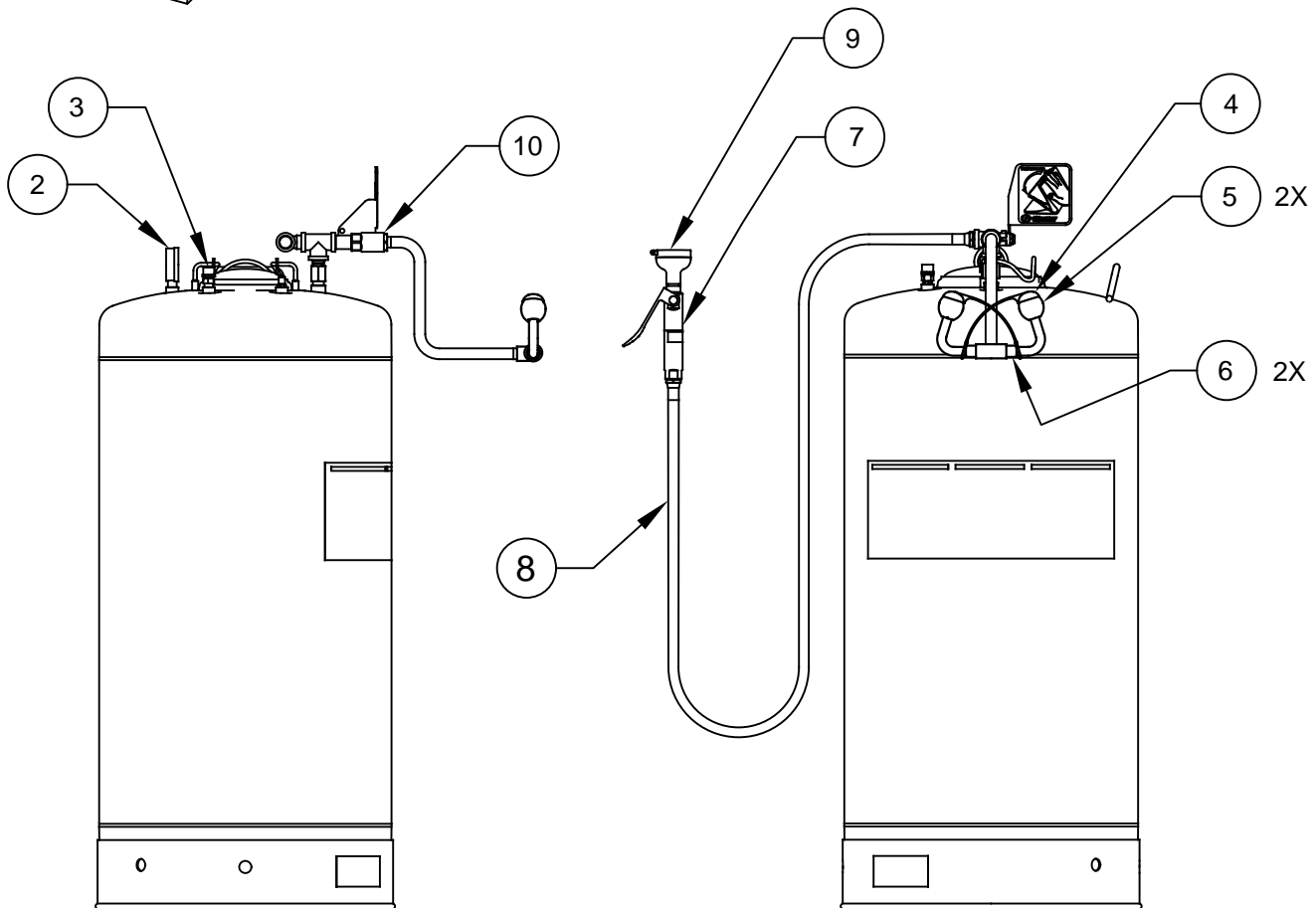
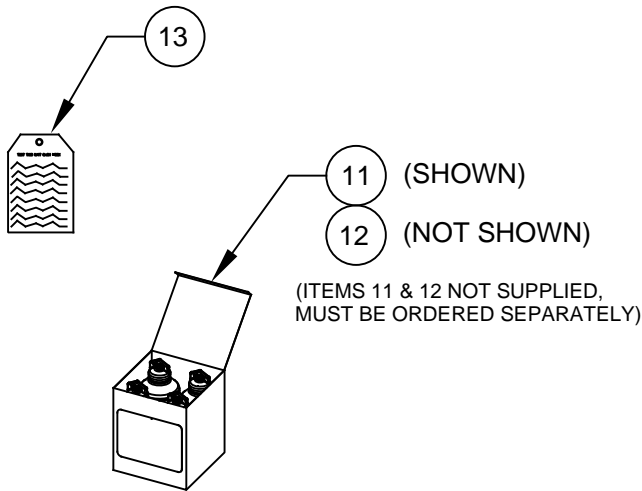
- A. Follow Procedure A or Procedure B of Step 3 above to ensure that water quality is maintained.
- B. Refill tank with potable water to the watermark line.
- C. Charge the tank with clean compressed air to 100 PSI through the tire-type air valve.

| <b>TROUBLESHOOTING</b>                     |  |
|--|--|
| <b>PROBLEM</b>                             | <b>REPAIR CHECKLIST</b>  |
| 1. No flow.                                | 1. a. Tank empty. Refill tank.<br>b. Obstruction in line of fitting. Clean obstruction.                                  |
| 2. Poor flow.                              | 2. a. Tighten head assembly.<br>b. Check for obstructions. If necessary, remove eyewash head(s) and clean flow controls. |
| 3. Eyewash flows for less than 15 minutes. | 3. a. Fill tank with water up to the water level mark on tube.<br>b. Fill tank with pressurized air to 100 psi.          |

For more information about Haws products, see our website: [www.hawesco.com](http://www.hawesco.com)

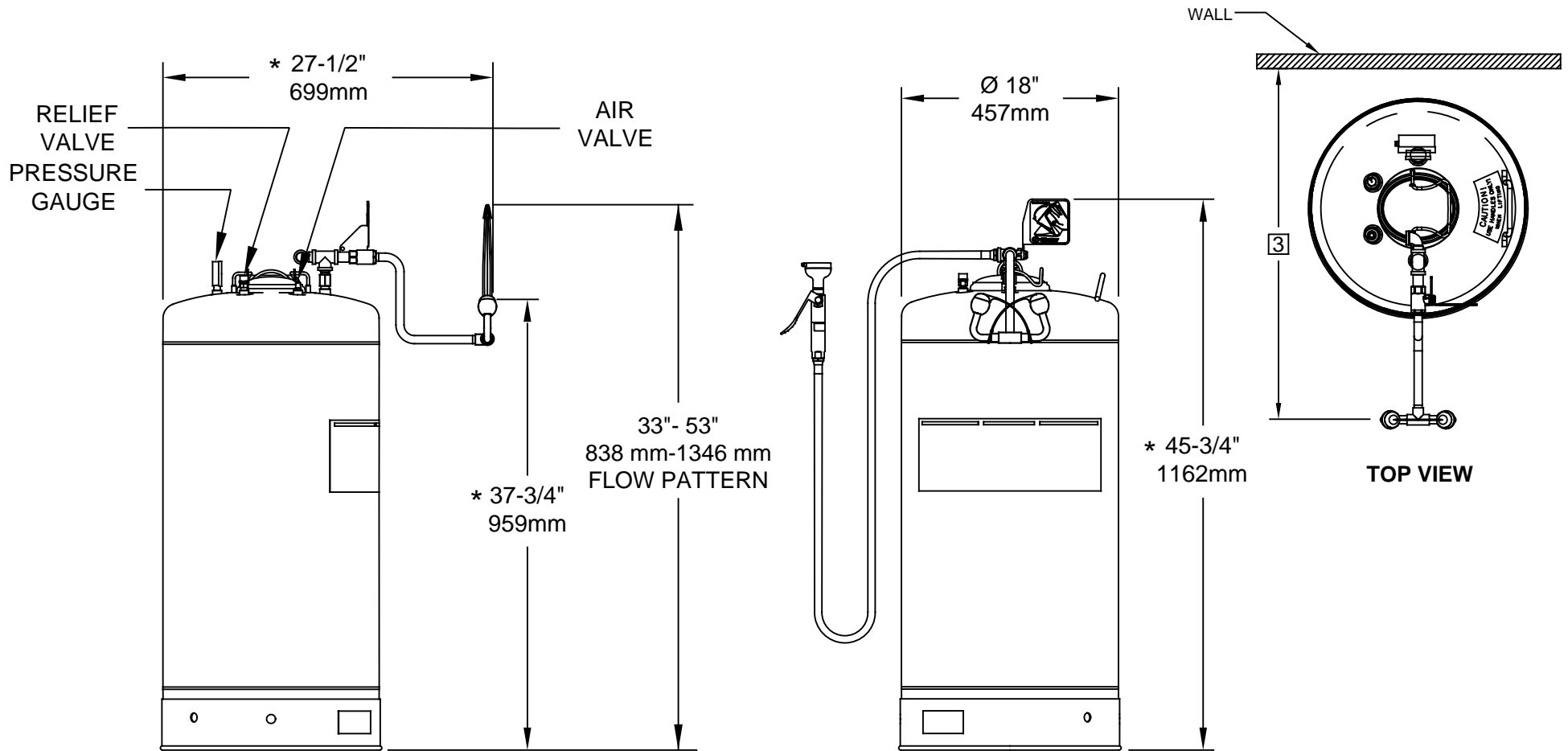
# PARTS BREAKDOWN

| ITEM | DESCRIPTION                          | PART NO.   |
|------|--------------------------------------|------------|
| 1    | VALVE, AIR                           | 0006522676 |
| 2    | GAUGE, PRESSURE                      | 0002580702 |
| 3    | VALVE, RELIEF                        | 0110000535 |
| 4    | COVER, POP-OFF                       | 9094       |
| 5    | HEAD, EYEWASH                        | SP12       |
| 6    | FLOW CONTROL                         | 0012506950 |
| 7    | SQUEEZE VALVE                        | SP248      |
| 8    | HOSE </td <td>SP142</td>             | SP142      |
| 9    | HEAD EYE/FACE                        | 0002974804 |
| 10   | VALVE, BALL                          | 0006546340 |
| 11   | ANTIMICROBIAL PRESERVATIVE (4-PACK)  | 9082       |
| 12   | ANTIMICROBIAL PRESERVATIVE (12-PACK) | 9082-C     |
| 13   | INSPECTION TAG                       | 0510000504 |



WHEN ORDERING PARTS PLEASE SPECIFY MODEL NUMBER.

|                          |                               |   |  |
|--------------------------|-------------------------------|---|--|
|                          |                               | 1455 KLEPPE LANE<br>SPARKS, NEVADA 89431<br>(775) 359-4712 FAX (775) 359-7424<br>E-MAIL: HAWS@HAWS.CO.COM<br>WEBSITE: WWW.HAWS.CO.COM |  |
|                          |                               | ECN NO. REVISED PER BY<br>ECN: 5438 FV  | MODEL(S)<br>7601.37<br>37 GALLON PORTABLE EW                         |
| DRAWN RTM<br>APPROVED IR | DATE 1/15/97<br>DATE 12/09/19 | CHKD DP<br>DATE   | SCALE: 1:12<br>DRAWING TYPE: PARTS BREAKDOWN<br>SIZE: A SHEET 1 OF 1 |




**NOTES:**

1. WHEN INSTALLING THIS UNIT, LOCAL , STATE, OR FEDERAL CODES SHOULD BE ADHERED TO FOR INSTALLATION DIMENSIONS (LOCATIONS), WASTE AND SUPPLY REQUIREMENTS, ETC.
2. TO COMPLY WITH ANSI Z358.1-2014 FOR EMERGENCY EYEWASH OR EYE/FACE WASH: EYEWASH OR EYE/FACE WASH SHALL BE POSITIONED SUCH THAT FLUSHING FLUID PATTERN IS NOT LESS THAN 33" (838mm) AND NO GREATER THAN 53" (1346mm) FROM SURFACE ON WHICH USER STANDS; AND 6.0" (153mm) MINIMUM FROM WALL OR NEAREST OBSTRUCTION.

**3** EYEWASH HEAD ASSEMBLY MUST BE PARALLEL TO WALL OR OBSTRUCTION TO MEET CRITERIA STATED IN ACCORDANCE TO NOTES 1 AND 2.

\*4. DIMENSIONS MAY VARY BY ±1/2" (13 mm).

5. PRESSURIZE TO 100 PSI. REFILL IF PRESSURE BECOMES LESS THAN 95 PSI.

|   |                                |   |                                |
|---|--------------------------------|---|--------------------------------|
|  |                                | 1455 KLEPPE LANE<br>SPARKS, NEVADA 89431<br>(775) 359-4712 FAX (775) 359-7424<br>E-MAIL: HAWS@HAWS.CO.COM<br>WEBSITE: WWW.HAWS.CO.COM |                                |
|   |                                | ECN NO. REVISED PER BY: MODEL(S)<br>ECN: 5438 FV: 7601.37   | PART NUMBER<br>0002080061.D    |
| DRAWN: RTM<br>DATE: 7/24/03<br>CHKD.: DP  | APPROVED: IR<br>DATE: 12/09/19 | SCALE: 1:10<br>DRAWING TYPE: INSTALLATION   | REVISION<br>18<br>SHEET 1 OF 1 |