



# INSTALLATION, OPERATION & MAINTENANCE INSTRUCTIONS

1455 Kleppe Lane ♦ Sparks, NV 89431-6467 ♦ (775) 359-4712 ♦ Fax (775) 359-7424  
E-mail: [haws@hawsco.com](mailto:haws@hawsco.com) ♦ website: [www.hawsco.com](http://www.hawsco.com)

No. 0510000808 (2)

## **Model 7501TH/7501T240H Hazardous Location Portable Eyewash with Heater**

**NOTE TO INSTALLER: Please leave this information with the Maintenance Department.**

### **LIMITED WARRANTY**

HAWS warrants that this specific product is guaranteed against defective material or poor workmanship for a period of **one year from date of shipment**. HAWS liability under this warranty shall be discharged by furnishing without charge F.O.B. HAWS Factory any goods, or part thereof, which shall appear to the Company upon inspection to be of defective material or not of first class workmanship, provided that claim is made in writing to Haws within a reasonable period after receipt of the product. Where claims for defects are made, the defective part or parts shall be delivered to the Company, prepaid, for inspection. HAWS will not be liable for the cost of repairs, alterations or replacements, or for any expense connected therewith made by the owner or his agents, except upon written authority from HAWS, Sparks, Nevada. HAWS will not be liable for any damages caused by defective materials or poor workmanship, except for replacements, as provided above. Buyer agrees that Haws has made no other warranties either expressed or implied in addition to those above stated, except that of title with respect to any of the products or equipment sold hereunder and that HAWS shall not be liable for general, special, or consequential damages claimed to arise under the contract of sale.

The emergency equipment manufactured by HAWS is warranted to function if installation and maintenance instructions provided are adhered to. The units also must be used for the purpose for which they were intended. This product is intended to supplement first-aid treatment. Due to widely varying conditions, Haws cannot guarantee that the use of this emergency equipment will prevent serious injury or the aggravation of existing or prior injuries.

**NO OTHER WARRANTIES EXPRESSED OR IMPLIED ARE AUTHORIZED, PROVIDED OR GIVEN BY HAWS.**

**SHOULD YOU EXPERIENCE DIFFICULTY WITH THE INSTALLATION OF  
THIS MODEL PLEASE CALL:**

**TECHNICAL SUPPORT: 1-800-766-5612**

**FOR CUSTOMER SERVICE: 1-888-640-4297**

**CAUTION : A GROUND FAULT DEVICE MUST BE USED WITH THIS HEATING DEVICE.**

**ATTENTION : CE PRODUIT DOIT ÊTRE UTILISÉ AVEC UNE PROTECTION DE MISE À LA TERRE.**

**RECOMMENDED TOOLS:** Three 1/4" diameter anchors suitable for supporting filled eyewash (approximately 80 pounds), and tools needed to install these anchors.

**LOCATION OF UNIT:** The Model 7501TH/7501T240H eyewash units should be installed in close proximity to potential accident areas. It should be clearly identified, free from obstructions and easily accessible. **IMPORTANT: Models 7501TH/7501T240H shall not have internal temperatures exceeding 38°C (100°F) and shall not be exposed to ambient temperatures exceeding 38°C (100°F). Be careful of direct sunlight.** Models 7501TH/7501T240H are suitable for use in Class 1, Division 2 Group B, C, & D, temperature rating T6 (85°C) and Class 2, Division 2 Group F, G, NEMA/TYPE 4 areas.

**ELECTRICAL CONNECTIONS: (reference manual supplied with heating blanket)**

**Models 7501TH** – 120VAC, 60 Hz, 1.38A. Must be protected by a Class A Ground Fault Circuit Interrupter (GFCI) – No power cord is supplied – Units are suitable for installation and use in Class 1, Division 2, Group B, C, D, T6, Class 2, Division 2, Group F, G, NEMA/TYPE 4 areas and MUST BE INSTALLED IN COMPLIANCE WITH LOCAL, STATE AND/OR FEDERAL CODES USING FLEXIBLE CONDUIT OR CABLE RATED FOR CLASS I, II, DIVISION 2 – NO RIGID CONNECTION PERMITTED. **DURING POTENTIAL FREEZING PERIODS INSURE THAT UNIT IS CONNECTED TO A CONTINUOUS POWER SUPPLY.**

**Model 7501T240H** – 240VAC, 50/60 Hz, 0.64A. Must be Protected by a Class A Ground Fault Circuit Interrupter (GFCI) – No power cord is supplied – Units are suitable for installation and use in Class 1, Division 2, Group B, C, D, T6, Class 2, Division 2, Group F, G, NEMA/TYPE 4 areas and MUST BE INSTALLED IN COMPLIANCE WITH LOCAL, STATE AND/OR FEDERAL CODES USING FLEXIBLE CONDUIT OR CABLE RATED FOR CLASS I, II, DIVISION 2 – NO RIGID CONNECTION PERMITTED. **DURING POTENTIAL FREEZING PERIODS INSURE THAT UNIT IS CONNECTED TO A CONTINUOUS POWER SUPPLY.**

**AMBIENT TEMPERATURE RATING:**

-30°F (-35°C) TO 100°F (38°C)

## INSTALLATION INSTRUCTIONS

**NOTE:** Instructions apply to all models unless otherwise specified.

**STEP 1:** Install the blanket and connect to power source per the Installation Manual provided with the heating blanket.

**CAUTION – DO NOT ENERGIZE THE HEATING BLANKET POWER SOURCE UNTIL THE EYEWASH IS FILLED WITH FLUSHING FLUID (UP TO FILL LINE).**

**NOTICE: 7501TH/7501T240H REQUIRES MINIMUM NEMA/TYP 4 COMPLIANT EQUIPMENT. ALL POWER CONNECTIONS MUST BE MADE ACCORDING TO NEC/CEC CODE USING FLEXIBLE CONDUIT OR CABLE RATED FOR CLASS I, II, DIVISION 2 – NO RIGID CONNECTION PERMITTED. MODEL THE CORD AND FITTINGS SELECTED MUST HAVE THE APPROPRIATE HAZARDOUS LOCATION RATING REQUIRED FOR THE INSTALLATION LOCATION.**

**STEP 2:** Mount eyewash unit to wall utilizing “J” bracket and three aluminum spacers (supplied). Locate one aluminum spacer behind each bolt hole in “J” bracket. Note: ¼” mounting hardware is not supplied. See Installation Drawing on Page 8 of 8.

**STEP 3:** Make sure portable eyewash unit is level from front to back and left to right before securing bracket to wall. Eyewash nozzles should be between 33 inches (83.8 cm) and 53 inches (164.6 cm) above the floor when eyewash arm is in the active (lowered) position (See Installation Drawings, pages 7 and 8 of 8).

Filled eyewash unit is heavy (approximately 80 pounds). Wall bracket anchors (Quantity 3 - not supplied) must be strong enough to support the filled eyewash and the weight of a worker leaning on eyewash.

**STEP 4:** Fill up to fill line (see important note above). Requires 8.75 gallons (max) of water, (make sure that no debris or contaminants of any kind are present in the flushing fluid). Make sure unit is level from front to back and left to right. If installed as indicated, eyewash unit will provide 15-minute duration of flow.

**IMPORTANT – DO NOT FILL PAST WATER FILL LINE AS LEAKAGE WILL OCCUR AT THE EYEWASH HEADS.**

**STEP 5:** Energize power source and verify operation of heating blanket. (Refer to heating blanket Operation Manual)

**STEP 6:** Take proper precautions to help prevent the growth of potentially harmful bacteria in eyewash tanks. (Refer to Maintenance Instructions)

## IMPORTANT SAFETY NOTICE

**THE NATIONAL ELECTRICAL CODE REQUIRES GROUND-FAULT EQUIPMENT PROTECTION ON EACH HEATING CABLE BRANCH CIRCUIT. TO REDUCE THE RISK OF FIRE CAUSED BY DAMAGE OR IMPROPER INSTALLATION, CIRCUIT BREAKERS SUCH AS SQUARE D QO-EPD AND QOB-EPD OR EQUIVALENT, WITH A 30mA TRIP LEVEL, SHOULD BE USED. PLEASE SUBSTITUTE THESE BREAKERS WHEREVER REFERENCE IS MADE TO CONVENTIONAL BREAKERS IN THIS DOCUMENT. ALTERNATIVE DESIGNS PROVIDING COMPARABLE LEVELS OF GROUND-FAULT PROTECTION MAY ALSO BE ACCEPTABLE.**

## OPERATING INSTRUCTIONS

Instruct all employees in the use of this Emergency Eyewash. Personnel should be assigned to check eyewash liquid level daily.

- STEP 1:** Lead patient to nearest eyewash station. Seconds can make the difference in preventing serious eye injury.
- STEP 2:** Pull yellow eyewash arm firmly. Eyewash arm will drop to activate eyewash.
- STEP 3:** Lower head until eyes enter eyewash stream. Use thumbs and forefingers to hold eyelids open. Flush for 15 minutes.
- STEP 4:** Seek qualified medical attention immediately.

## **MAINTENANCE INSTRUCTIONS**

**NOTE:** Customer must provide an inspection tag and maintain a record of inspections dates and type of maintenance performed (i.e. adding Sterile Antimicrobial Preservative Model 9082, etc.

**STEP 1:** Self-contained eyewash equipment shall be visually checked to determine if flushing fluid needs to be changed or supplemented. See STEP 3 for additional information regarding activated units.

**Frequency of inspection:** Depending on environmental conditions, visual inspections should be performed on either a daily, weekly or monthly basis as some water loss will occur due to natural evaporation process.

**STEP 2:** Take proper precautions to help prevent the growth of potentially harmful bacteria in eyewash tanks. We recommend **either** of the following procedures:

**NOTE:** Disconnect Model from power source before performing maintenance.

**Procedure A:** Use suitable Sterile Antimicrobial Preservative Model 9082 to help prevent the growth of bacteria in eyewash tank. Eyewash tank should be drained, flushed and refilled with clean potable water and Sterile Antimicrobial Preservative Model 9082 as directed by the preservative's manufacturer.

**PROCEDURE B:** Drain, flush and refill portable units with clean potable water at least once every week. Thoroughly cleanse tank at least once every month.

**NOTE:** Acanthamoeba survive mild chlorination and are commonly found in tap water. Sterile Antimicrobial Preservative Model 9082 will prevent the growth of Acanthamoeba. Hot water, 158°F (70°C) or hotter will destroy Acanthamoeba but must be allowed to cool prior to use in eyewash units.

**STEP 3:** After activating units for any reason ensure the following steps are implemented:

- A.** Refill tank with potable water to the watermark line.
- B.** If water is discharged for any reason – follow Procedure 1 or Procedure 2 of Step 2 above to ensure that water quality is maintained.

## **TROUBLESHOOTING**

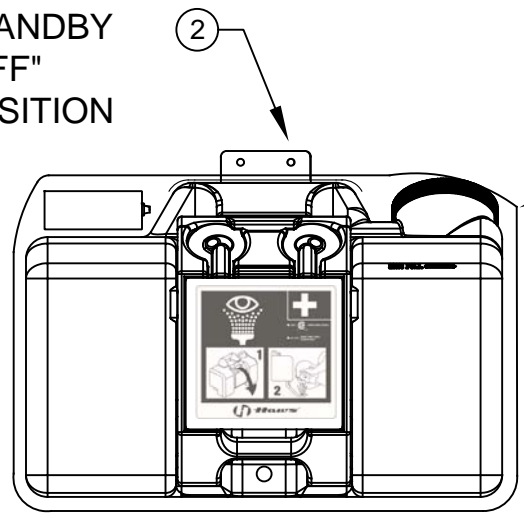
PROBLEM	REPAIR CHECKLIST
1. No flow.	1. a. Tank empty. Refill tank (8.75 gallons). b. Obstruction in line or fitting. Clear obstruction.
2. Poor flow from eyewash head(s).	2. a. Tighten head assembly. b. Check for obstructions. If necessary, remove eyewash head(s), clean and reassemble. To reassemble head, place cap screw through head and thread into head anchor two or three turns. Tilt head assembly and work anchor legs into eyewash armholes. Tighten assembly. Check for leaks.
3. Water leak between joints or fittings.	3. a. Pull hose off fitting. Smooth raised plastic edge on center of fitting. Return hose and hose clamp to original position. b. Tighten hose clamp(s) with pliers.
4. Water leaking from eyewash heads.	4. a. Check to see if water level has exceeded water fill line (indicated on side of unit). If so, remove excess water till fill line is reached. b. Make sure unit is level from front to back and left to right.
5. Eyewash flows for less than 15 minutes.	5. Fill water level in eyewash tank even with water fill line (indicated on side of unit).
6. Excessive water loss	6. Check unit for leaks. Some loss due to evaporation is normal.
7. Heater doesn't turn on.	7. a. No power. b. Check GFCI and/or circuit breaker. c. If ambient temperature is high and doesn't allow the blanket temperature to drop below 67°F (19°C) the heater may not switch on. <b>Heater settings are:</b> Non-adjustable thermostat preset to switch on at 67°±5°F (17°±3°C) and switch off 77°±5°F (25°±3°C). Test the thermostat and heater function by applying ice thermostat for approximately 3-5 minutes. The heat trace cable should become warm to the touch when operating properly. Thermostat is located on junction box.

For more information on Haws products, see our website: [www.hawesco.com](http://www.hawesco.com)

ITEM	DESCRIPTION	PART NO.
1	EYEWASH HEAD ASSY	SP19
2	BRACKET	0001217418
3	CAP	0310000325
4	LABEL, CAP, REFILL	0003163925
5	STERILE ANTIMICROBIAL PRESERVATIVE	9082
6	ALUMINUM SPACER	0310000166
7	BLANKET	*SEE TABLE
8	INSPECTION TAG	SP170

# PARTS BREAKDOWN

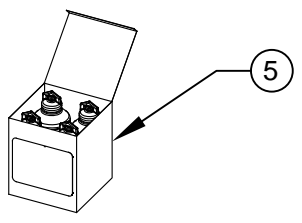
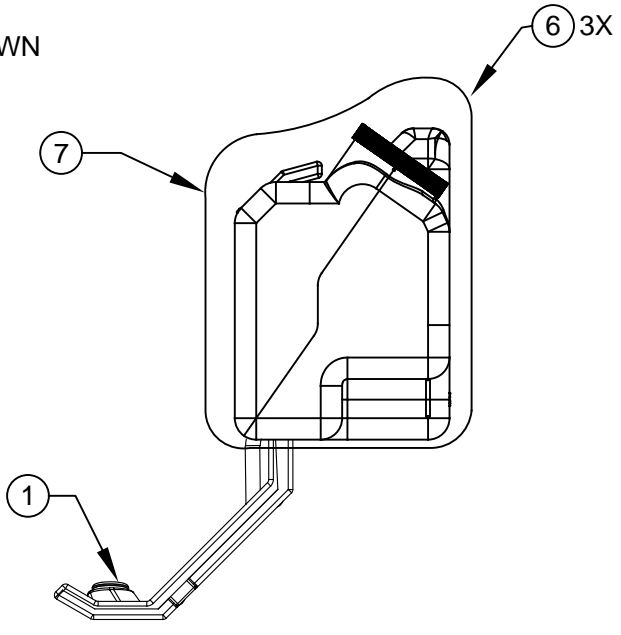
STANDBY  
"OFF"  
POSITION



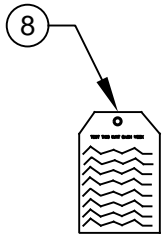
(7501TH SHOWN)

MODELS 7501TH/7501T240H

ACTIVE  
"ON"  
POSITION



(NOT SUPPLIED, MUST BE ORDERED SEPARATELY)



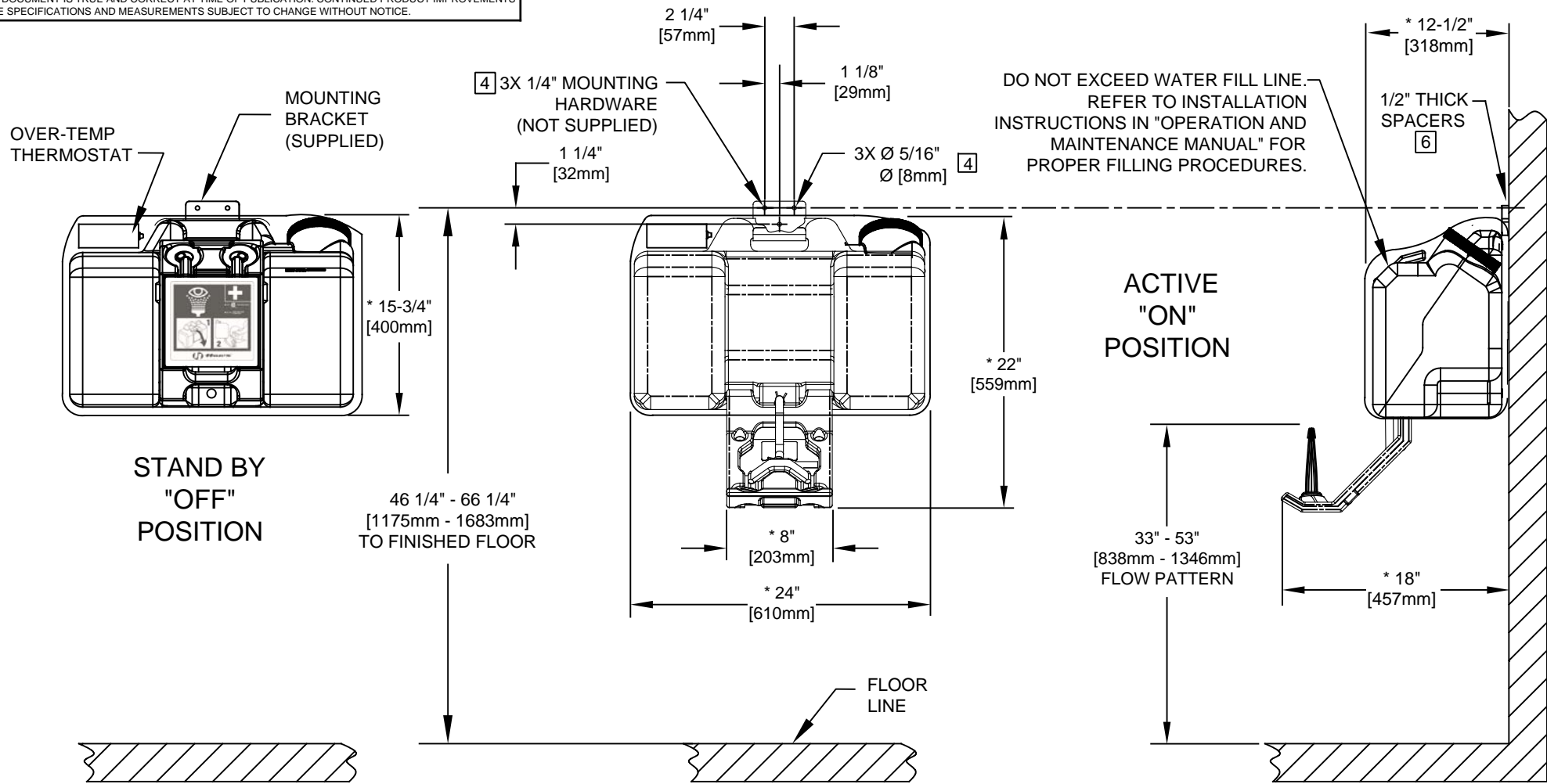
(NOT SUPPLIED, MUST BE ORDERED SEPARATELY)

MODEL	BLANKET P/N
7501TH	7501BLH
7501T240H	7501BL240H

WHEN ORDERING PARTS PLEASE SPECIFY MODEL NUMBER.

1455 KLEPPE LANE  
SPARKS, NEVADA 89431  
(775) 359-4712 FAX (775) 359-7424  
E-MAIL: HAWS@HAWS.CO.COM  
WEBSITE: WWW.HAWS.CO.COM

ECN NO. 5235	REVISED PER ECN: 5471	BY DB	MODEL(S) <b>7501TH/7501T240H PORTABLE EYEWASH</b>	PART NUMBER <b>0510000808</b>
DRAWN CC	DATE 12/28/17	CHKD JS		REVISION <b>2</b>
APPROVED IR	DATE 03/18/20	SCALE: NA	DRAWING TYPE: PARTS BREAKDOWN	SIZE: A SHEET 1 OF 1



NOTES:

1. WHEN INSTALLING THIS UNIT, LOCAL, STATE, OR FEDERAL CODES SHOULD BE ADHERED TO FOR INSTALLATION DIMENSIONS (LOCATIONS), WASTE AND SUPPLY REQUIREMENTS OTHER THAN SHOWN.
2. TO COMPLY WITH ANSI Z358.1-2014 FOR EMERGENCY EYEWASH OR EYE/FACE WASH: EYEWASH OR EYE/FACE WASH SHALL BE POSITIONED SUCH THAT FLUSHING FLUID PATTERN IS NOT LESS THAN 33" (838mm) AND NO GREATER THAN 53" (1346 mm) FROM SURFACE ON WHICH USER STANDS; AND 6.0" (153mm) MINIMUM FROM WALL OR NEAREST OBSTRUCTION.
3. UNIT MUST BE LEVEL FROM FRONT TO BACK AND SIDE TO SIDE.
4. ALL THREE MOUNTING HOLES ON MOUNTING-BRACKET MUST BE USED TO PROPERLY SECURE EYEWASH UNIT TO WALL.
5. DIMENSIONS MAY VARY ±1/2" [12.7 mm]
6. LOCATE ONE 1/2" THICK SPACER (QTY. 3 SUPPLIED) BEHIND EACH HOLE IN THE MOUNTING BRACKET AS SHOWN.
7. UNIT MUST BE FILLED WITH WATER BEFORE CONNECTING TO POWER SOURCE.
8. ALL MODELS MUST HAVE A GROUND FAULT PROTECTION DEVICE (30mA GFCI) FOR HEAT TRACE. ELECTRICAL CURRENTS MAY BE INSUFFICIENT TO TRIP A CONVENTIONAL CIRCUIT BREAKER. ALL INSTALLATIONS MUST BE INSTALLED IN COMPLIANCE WITH LOCAL, STATE, AND/OR FEDERAL CODES.

9. ALL POWER CONNECTIONS MUST BE MADE ACCORDING TO NEC/CEC CODE USING FLEXIBLE CONDUIT OR CABLE RATED FOR CLASS I, II, DIVISION 2 – NO RIGID CONNECTION PERMITTED. MODEL 7501TH/7501T240H REQUIRES MINIMUM NEMA/TYP 4 COMPLIANT EQUIPMENT. THE CORD AND FITTINGS SELECTED MUST HAVE THE APPROPRIATE HAZARDOUS LOCATION RATING REQUIRED FOR THE INSTALLATION LOCATION.

MOUNTING DETAILS FOR:  
MODELS 7501TH/7501T240H - WITH HEATED BLANKET SHOWN.

		1455 KLEPPE LANE SPARKS, NEVADA 89431 (775) 359-4712 FAX (775) 359-7424 E-MAIL: HAWS@HAWS.CO.COM WEBSITE: WWW.HAWS.CO.COM	
ECN NO: 5235 DRAWN: CC APPROVED: IR	REVISED PER: ECN: 5471 DATE: 12/28/17 DATE: 03/18/20	BY: DB CHKD: JS	MODEL(S) PORTABLE EYEWASH 7501TH/7501T240H
PART NUMBER 0510000808.D REVISION 2			SCALE: 1:1 DRAWING TYPE: INSTALLATION SIZE: A SHEET 1 OF 1