



INSTALLATION, OPERATION & MAINTENANCE INSTRUCTIONS

1455 Kleppe Lane ♦ Sparks, NV 89431-6467 ♦ (775) 359-4712 ♦ Fax (775) 359-7424
E-mail: haws@hawsco.com ♦ website: www.hawsco.com

No. 2077511(16)

Model 4230

NOTE TO INSTALLER: Please leave this information with the Maintenance Department.

LIMITED WARRANTY

HAWS® warrants that all of its products are guaranteed against defective material or poor workmanship for a period of **one year from date of shipment**. HAWS liability under this warranty shall be discharged by furnishing without charge F.O.B. HAWS Factory any goods, or part thereof, which shall appear to the Company upon inspection to be of defective material or not of first class workmanship, provided that claim is made in writing to company within a reasonable period after receipt of the product. Where claims for defects are made, the defective part or parts shall be delivered to the Company, prepaid, for inspection. HAWS will not be liable for the cost of repairs, alterations or replacements, or for any expense connected therewith made by the owner or his agents, except upon written authority from HAWS, Sparks, Nevada. HAWS will not be liable for any damages caused by defective materials or poor workmanship, except for replacements, as provided above. Buyer agrees that Haws has made no other warranties either expressed or implied in addition to those above stated, except that of title with respect to any of the products or equipment sold hereunder and that HAWS shall not be liable for general, special, or consequential damages claimed to arise under the contract of sale. The drinking fountain manufactured by HAWS is warranted to function if installation and maintenance instructions provided are adhered to. The units also must be used for the purpose for which they were intended.

NO OTHER WARRANTIES EXPRESSED OR IMPLIED ARE AUTHORIZED, PROVIDED OR GIVEN BY HAWS.

SHOULD YOU EXPERIENCE DIFFICULTY WITH THE INSTALLATION OF THIS MODEL PLEASE CALL:

TECHNICAL SUPPORT: 1-800-766-5612

FOR CUSTOMER SERVICE: 1-888-640-4297

RECOMMENDED TOOLS: Jig saw, hammer, tape measure, pipe joint sealant, caulking, screwdriver, level, 12" adjustable wrench, 10" pipe wrench.

LOCATION OF UNIT: The Model 4230 when installed at the proper mounting height and with Haws recommended faucets and bubblers will meet current barrier free guidelines. When installing this unit, local, state or federal codes should be adhered to.

PLUMBING CONNECTIONS: Waste outlet is 1-1/2" O.D. tailpiece.

CAUTION: Do not cut hole in countertop until sink is at hand.

INSTALLATION PROCEDURE

STEP 1: Identify correct placement in countertop for cutout, front to back as well as left to right.

STEP 2: Make sure cutout is 3/8" less. Cutout must be accurate. Corners of cutout may have up to a 1/2" radius.

STEP 3: Mounting instructions:

NOTE: Verify sink clearance with countertop cutout before nailing snap clips in place:

A. Snap clip mounting system (STANDARD – supplied with sink).

Locate a snap clip 1" from each corner on each side of sink cutout.

Seat the flange of snap clip on edge of cutout to keep it straight (See Detail A on installation drawing). Nail these snap clips into place.

Space remaining snap clips evenly and drive the nails all the way in.

Place a small amount of caulking around the underside of bowl rim edge.

Position sink in cutout so that the downward prong rests on the snap clips.

Push down on any two sides of sink and it will snap in place.

B. Adjustable sink clamp mounting system (OPTIONAL – not supplied with sink).

Order as part number **0001690117** (package consists of quantity – 14 clamps).

Utilize the sink clamp assembly for those applications where the countertop material doesn't allow for nailing the snap clip into place (see Detail B on installation drawing).

Works with countertops up to 2" maximum thickness.

Place a small amount of caulking around the underside of bowl rim edge.

Place sink centered inside of cutout, applying moderate downward pressure.

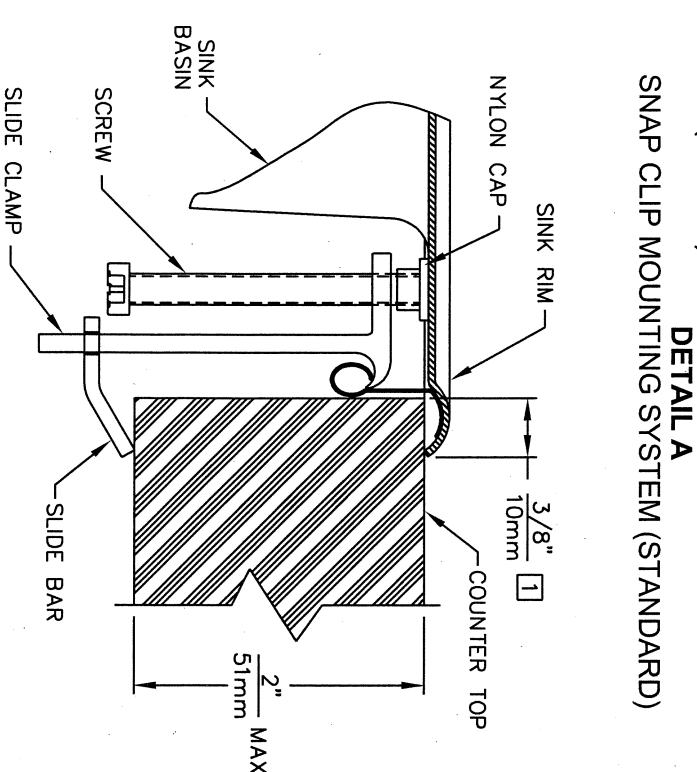
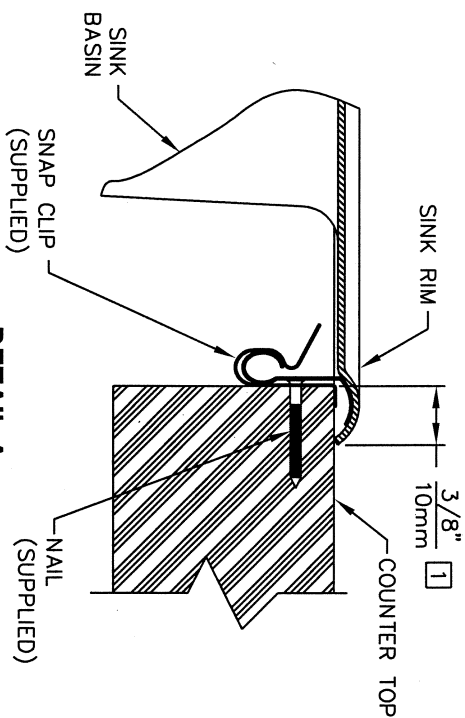
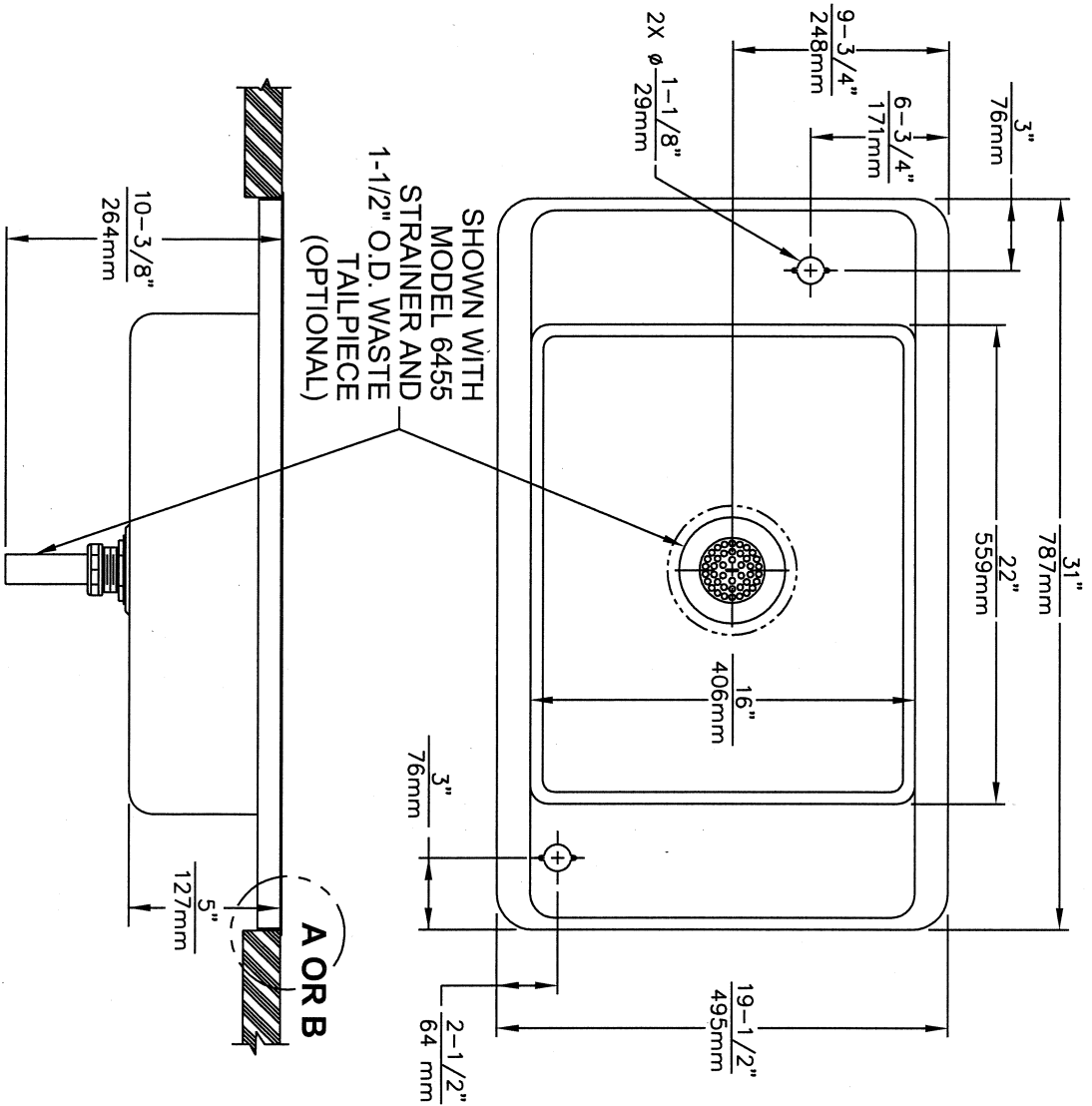
Back off screws (on sink clamp assemblies) so that the nylon cap is touching the sink clamp. Locate and hook a sink clamp assembly 1" from each corner on each side of sink rim (see Detail B on installation drawing).

Holding the slide bar (on sink clamp assembly) up against the bottom side of countertop, proceed to turn the screw clockwise until nylon cap is applying force on bottom side of sink rim. This process will lock sink in place. Be careful not to over tighten sink. Space remaining sink clamp assemblies evenly in place and repeat the process.

STEP 4: Make sure your drain and faucet supply connections, and your installation is complete.

© 2011 Haws® Corporation – All Rights Reserved

HAWS® and other trademarks used in these materials are the exclusive property of Haws Corporation.



DETAIL B
ADJUSTABLE SINK CLAMP MOUNTING SYSTEM
(OPTIONAL) P/N 0001690117



Haws

1455 KLEPPE LANE
SPARKS, NEVADA 89431
(775) 359-4712 FAX (775) 359-7424
E-MAIL: HAWS@HAWSCO.COM
WEBSITE: WWW.HAWSCO.COM

ECN NO.	REVISED PER:	MODEL(S)	PART NUMBER
ECN: 4603	HM		000207511.D
DATE:	CHK'D		DRAWING NO.
10/93			02041C00
DATE:	DATE:		REV
			16
APPROVED:	SCALE: 1/8"	DRAWING TYPE:	SIZE: A
			SHEET: 1 OF 1
			4230