



**INSTALLATION, OPERATION
&
MAINTENANCE INSTRUCTIONS**

1455 Kleppe Lane ♦ Sparks, NV 89431-6467 ♦ (775) 359-4712 ♦ Fax (775) 359-7424
E-mail: haws@hawsco.com ♦ website: www.hawsco.com

No. 0510000779 (3)

**MODEL 3660/3661
36XX Hose Bib Accessory**

NOTE TO INSTALLER: Please leave this information with the Maintenance Department.

LIMITED WARRANTY

HAWS warrants that this specific product is guaranteed against defective material or poor workmanship for a period of **one year from date of shipment**. HAWS liability under this warranty shall be discharged by furnishing without charge F.O.B. HAWS Factory any goods, or part thereof, which shall appear to the Company upon inspection to be of defective material or not of first-class workmanship, provided that claim is made in writing to Haws within a reasonable period after receipt of the product. Where claims for defects are made, the defective part or parts shall be delivered to the Company, prepaid, for inspection. HAWS will not be liable for the cost of repairs, alterations or replacements, or for any expense connected therewith made by the owner or his agents, except upon written authority from HAWS, Sparks, Nevada. HAWS will not be liable for any damages caused by defective materials or poor workmanship, except for replacements, as provided above. Buyer agrees that HAWS shall not be liable for general, special, or consequential damages claimed to arise under the contract of sale. The drinking fountain manufactured by HAWS is warranted to function if installation and maintenance instructions provided are adhered to. The units also must be used for the purpose for which they were intended.

**NO OTHER WARRANTIES EXPRESSED OR IMPLIED ARE AUTHORIZED,
PROVIDED OR GIVEN BY HAWS.**

**SHOULD YOU EXPERIENCE DIFFICULTY WITH THE INSTALLATION OF THIS
MODEL PLEASE CALL:**

TECHNICAL SUPPORT: 1-800-766-5612

FOR CUSTOMER SERVICE: 1-888-640-4297

RECOMMENDED TOOLS: 12" adjustable wrench, 5/32" tamper-resistant hex key wrench (supplied).

LOCATION OF UNIT: The Model 3660/3661 36XX Hose Bib Accessory is designed to be used with a Haws Model 36XX Outdoor Bottle Filler/Fountain pedestal. The hose bib can be mounted in any side pedestal opening. When installing this unit, local, state or federal codes should be adhered to. CAUTION!: This Hose Bib Accessory is not freeze resistant! To prevent damage to the unit and a potential flooding hazard, do not install in locations that have the potential to freeze.

SUPPLY LINE:

Where sediment or mineral content is a problem, an inlet filter is recommended. The minimum recommended line size for the 3660/3661 is 1/2" IPS with 30-90 psi (2-6 ATM) flowing pressure.

INSTALLATION PROCEDURE

The model 3660/3661 Hose Bibs are designed for use with 36XX Outdoor Bottle Filler/Fountain system. The hose bib can be installed in any side opening on the pedestal or relocated to a different location later. Multiple hose bibs can be installed if desired.

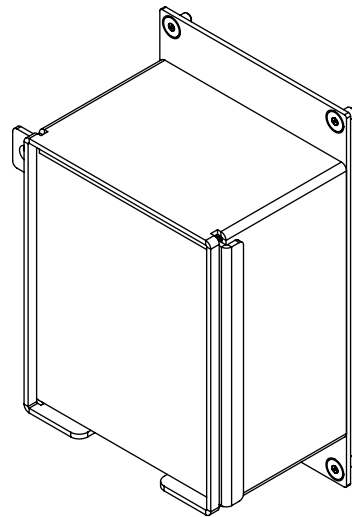
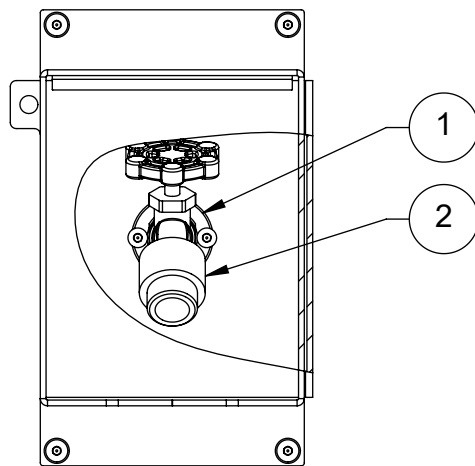
1. Connect the hose bib to the backplate using the supplied 10-32 vandal-resistant screws and hex wrench. Install the supplied jam nuts on the back side of the screws to prevent loosening.
2. Attach the backplate to the pedestal using the supplied 1/4-20 tamper-proof screws and hex wrench.
3. Plumb the hose bib to the water supply using 1/2" IPS threaded connection using either hard pipe or flexible tubing as desired.
4. Install supplied vacuum breaker on hose bib.

TROUBLESHOOTING	
PROBLEM	REPAIR CHECKLIST
1. Insufficient water flow (3660/3661)	1a. Verify supply line water flow. b. Verify hose bib not clogged.

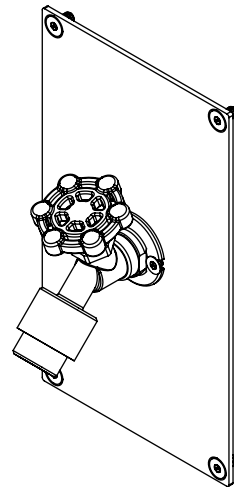
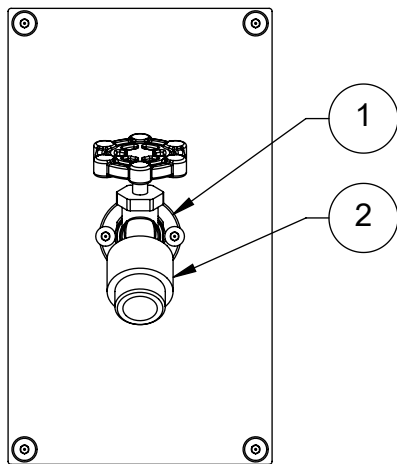
For more information about Haws products, see our website: www.hawesco.com

THIS DOCUMENT IS TRUE AND CORRECT AT TIME OF PUBLICATION. CONTINUED PRODUCT IMPROVEMENTS MAKE SPECIFICATIONS AND MEASUREMENTS SUBJECT TO CHANGE WITHOUT NOTICE.

ITEM	PART NO.	DESCRIPTION
1	0110000617	VALVE, HOSE BIB
2	0110000775	VALVE, VACUUM BREAKER



MODEL 3660
LOCKABLE HOSE BIB



MODEL 3661
HOSE BIB

PARTS BREAKDOWN



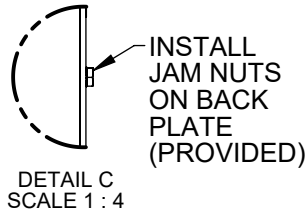
1455 KLEPPE LANE
SPARKS, NEVADA 89431
(775) 359-4712 FAX (775) 359-7424
E-MAIL: HAWS@HAWSO.COM
WEBSITE: WWW.HAWSO.COM

WHEN ORDERING PARTS, PLEASE
SPECIFY PART NUMBER

ECN: 5226	REV. ECN: 5620	BY: DP	MODEL(S) 3660 \ 3661	PART NUMBER 0510000779
DRAWN: MH	DATE: 05/17/17	CHKD: FV		REVISION 3
APPROVED: FV	DATE: 12/23/20	SCALE: 1:4	DRAWING TYPE: PARTS BREAKDOWN	SIZE: A
				SHEET 1 OF 1

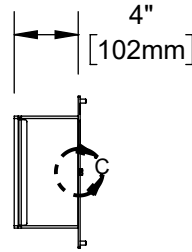
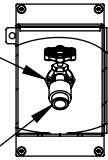
NOTES:

- HOSE BIB IS DESIGNED TO MOUNT ON ANY AVAILABLE 36XX PEDESTAL SIDE ACCESS PLATE LOCATION.
- WHEN INSTALLING THIS UNIT, LOCAL, STATE, OR FEDERAL CODES SHOULD BE ADHERED TO. INSTALL A SCREWDRIVER STOP IN THE SUPPLY LINE IF REQUIRED.



ATTACH HOSE BIB TO PLATE WITH TAMPER RESISTANT SCREWS (PROVIDED)

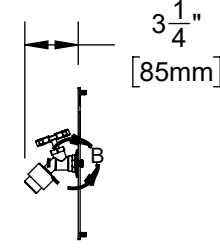
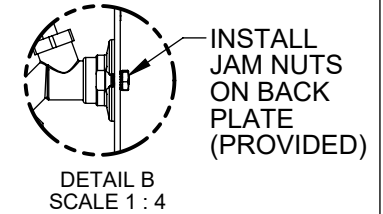
INSTALL VACUUM BREAKER (PROVIDED)



1/2" NPT (F) SUPPLY CONNECTION

ATTACH HOSE BIB TO PLATE WITH TAMPER RESISTANT SCREWS (PROVIDED)

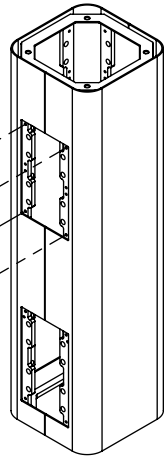
INSTALL VACUUM BREAKER (PROVIDED)



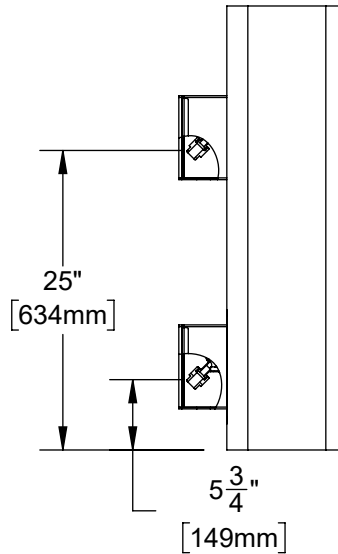
1/2" NPT (F) SUPPLY CONNECTION

SLIDING DOOR SECURED BY PADLOCK

4X 1/4"-20 TAMPER RESISTANT SCREWS (SCREWS & HEX KEY PROVIDED)



(OPTIONAL INSTALL LOCATIONS SHOWN)

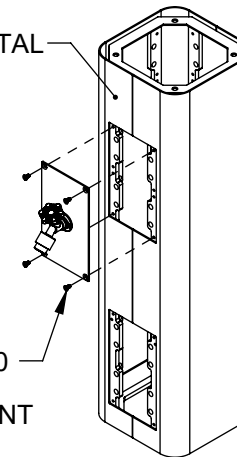


**3660
LOCKABLE HOSE BIB**

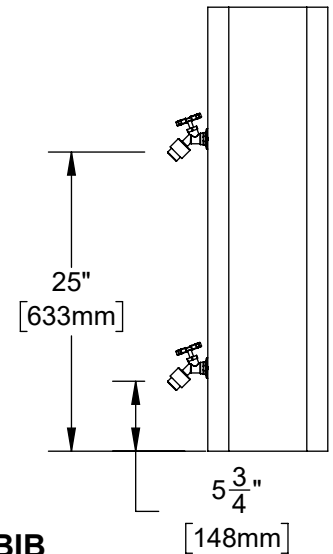
(OPTIONAL INSTALL LOCATIONS SHOWN)

36XX PEDESTAL

4X 1/4"-20 TAMPER RESISTANT SCREWS (SCREWS & HEX KEY PROVIDED)



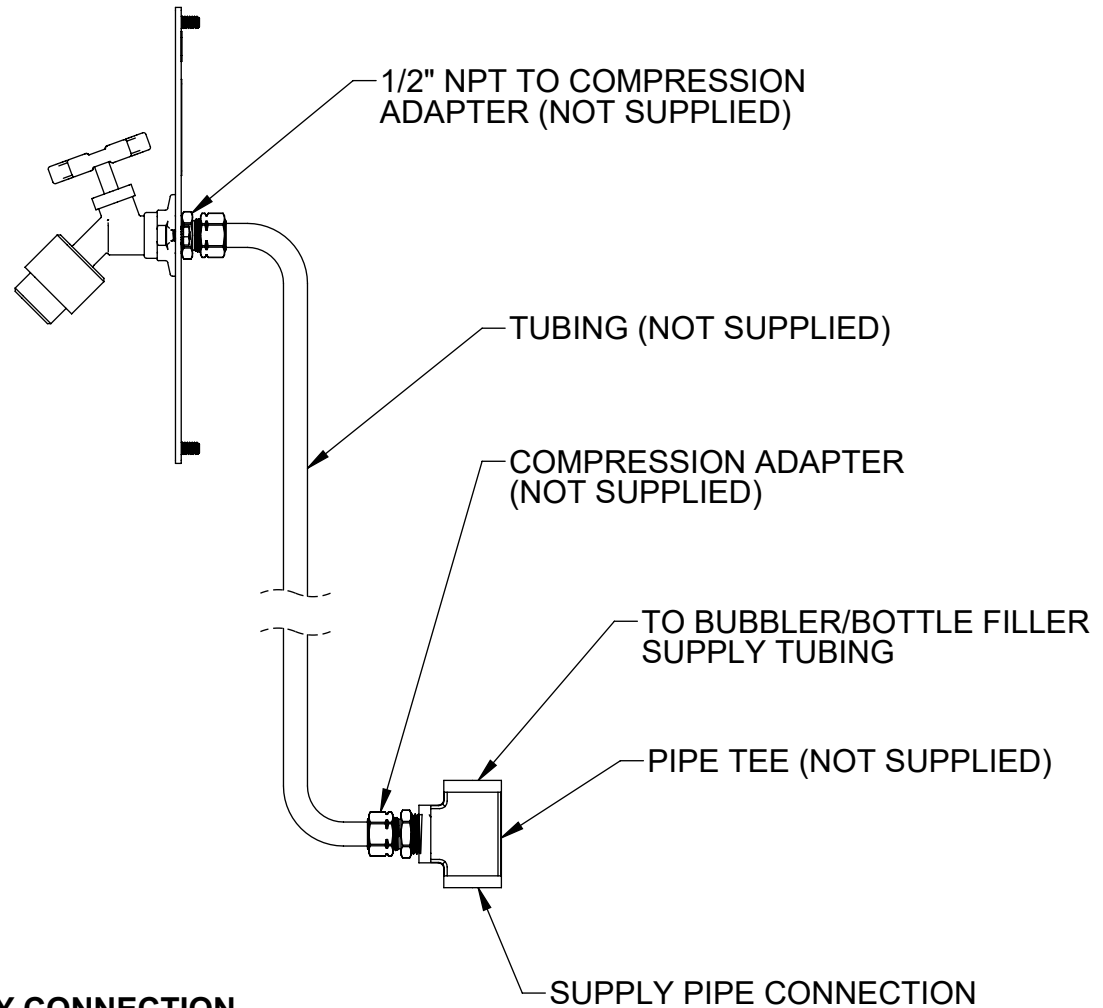
**3661
HOSE BIB**



1455 KLEPPE LANE
SPARKS, NEVADA 89431
(775) 359-4712 FAX (775) 359-7424
E-MAIL: HAWS@HAWS.CO.COM
WEBSITE: WWW.HAWS.CO.COM


ECN: 5226	REV. ECN: 5620	BY: DP	MODEL(S)	PART NUMBER
DRAWN: MH	DATE: 04/24/17	CHKD: FV	3660/3661	0510000779.D
APPROVED: JL	DATE: 12/30/20	SCALE: 1:16	DRAWING TYPE: INSTALLATION	REVISION: 3
			SIZE: A	SHEET 1 OF 2

CAUTION! THIS HOSE BIB ACCESSORY IS NOT FREEZE RESISTANT! TO PREVENT DAMAGE TO THE UNIT AND A POTENTIAL FLOODING HAZARD, DO NOT INSTALL IN LOCATIONS THAT HAVE THE POTENTIAL TO FREEZE.



RECOMMENDED WATER SUPPLY CONNECTION

HAWS RECOMMENDS THE USE OF 1/2" O.D. TUBING AND FITTINGS TO MAXIMIZE WATER PRESSURE TO FAUCET. IF FAUCET WATER PRESSURE IS NOT A CONCERN, THE USE OF 3/8" O.D. TUBING MAY BE SUBSTITUTED TO EASE INSTALLATION.

			1455 KLEPPE LANE SPARKS, NEVADA 89431 (775) 359-4712 FAX (775) 359-7424 E-MAIL: HAWS@HAWS.CO.COM WEBSITE: WWW.HAWS.CO.COM		
			ECN: 5226 REV. ECN: 5620 BY: DP MODEL(S) 3660/3661	PART NUMBER 0510000779.D	
DRAWN: MH DATE: 04/24/17	CHKD: FV DATE: 12/30/20	SCALE: 1:4 DRAWING TYPE: INSTALLATION	SIZE: A	SHEET 2 OF 2	REVISION 3