



INSTALLATION, OPERATION & MAINTENANCE INSTRUCTIONS

1455 Kleppe Lane ♦ Sparks, NV 89431-6467 ♦ (775) 359-4712 ♦ Fax (775) 359-7424
HAWS AG ♦ Bachweg 3 ♦ CH-3401 Burgdorf ♦ Switzerland
Haws Mfg. Pte Lt. ♦ 2A Sungei Kadut Drive ♦ Singapore 729554
Avlis-Avenida Senador, Testonio Vilela ♦ 505 Jardim Aeroporto ♦ Itu, S.P. 13304-550 ♦ Brasil
E-mail: haws@hawsco.com ♦ website: www.hawsco.com

No. 2077446(11)

Model 3482 Drinking Fountain

NOTE TO INSTALLER: Please leave this information with the Maintenance Department.

LIMITED WARRANTY

HAWS® warrants that all of its products are guaranteed against defective material or poor workmanship for a period of **one year from date of shipment**. HAWS liability under this warranty shall be discharged by furnishing without charge F.O.B. HAWS Factory any goods, or part thereof, which shall appear to the Company upon inspection to be of defective material or not of first class workmanship, provided that claim is made in writing to company within a reasonable period after receipt of the product. Where claims for defects are made, the defective part or parts shall be delivered to the Company, prepaid, for inspection. HAWS will not be liable for the cost of repairs, alterations or replacements, or for any expense connected therewith made by the owner or his agents, except upon written authority from HAWS, Sparks, Nevada. HAWS will not be liable for any damages caused by defective materials or poor workmanship, except for replacements, as provided above. Buyer agrees that Haws has made no other warranties either expressed or implied in addition to those above stated, except that of title with respect to any of the products or equipment sold hereunder and that HAWS shall not be liable for general, special, or consequential damages claimed to arise under the contract of sale. The drinking fountain manufactured by HAWS is warranted to function if installation and maintenance instructions provided are adhered to. The units also must be used for the purpose for which they were intended.

NO OTHER WARRANTIES EXPRESSED OR IMPLIED ARE AUTHORIZED, PROVIDED OR GIVEN BY HAWS.

SHOULD YOU EXPERIENCE DIFFICULTY WITH THE INSTALLATION OF THIS MODEL, PLEASE CALL:

1-800-766-5612

FOR PARTS CALL:

1-800-758-9378

**(U.S.A. AND CANADA ONLY) MONDAY-THURSDAY: 6:00 A.M. – 4:00 P.M. PST
FRIDAY: 6:00 A.M – 1:00 P.M. PST**

RECOMMENDED TOOLS: Hack saw, pipe joint sealant, screwdriver, level, 12" adjustable wrench, 10" pipe wrench, 5/64" hex key wrench, 9/16", 1/2", 7/16" socket wrench or open end wrench.

LOCATION OF UNIT: When installing Model 3482 Drinking Fountain, local, state or federal codes should be adhered to. If height other than shown is required, then dimensions must be adjusted accordingly.

SUPPLY LINE: The minimum recommended line size is 1/2" IPS with 30-90 psi (2-6 ATM) flowing pressure. Where sediment or mineral content is a problem, an inlet filter is recommended.

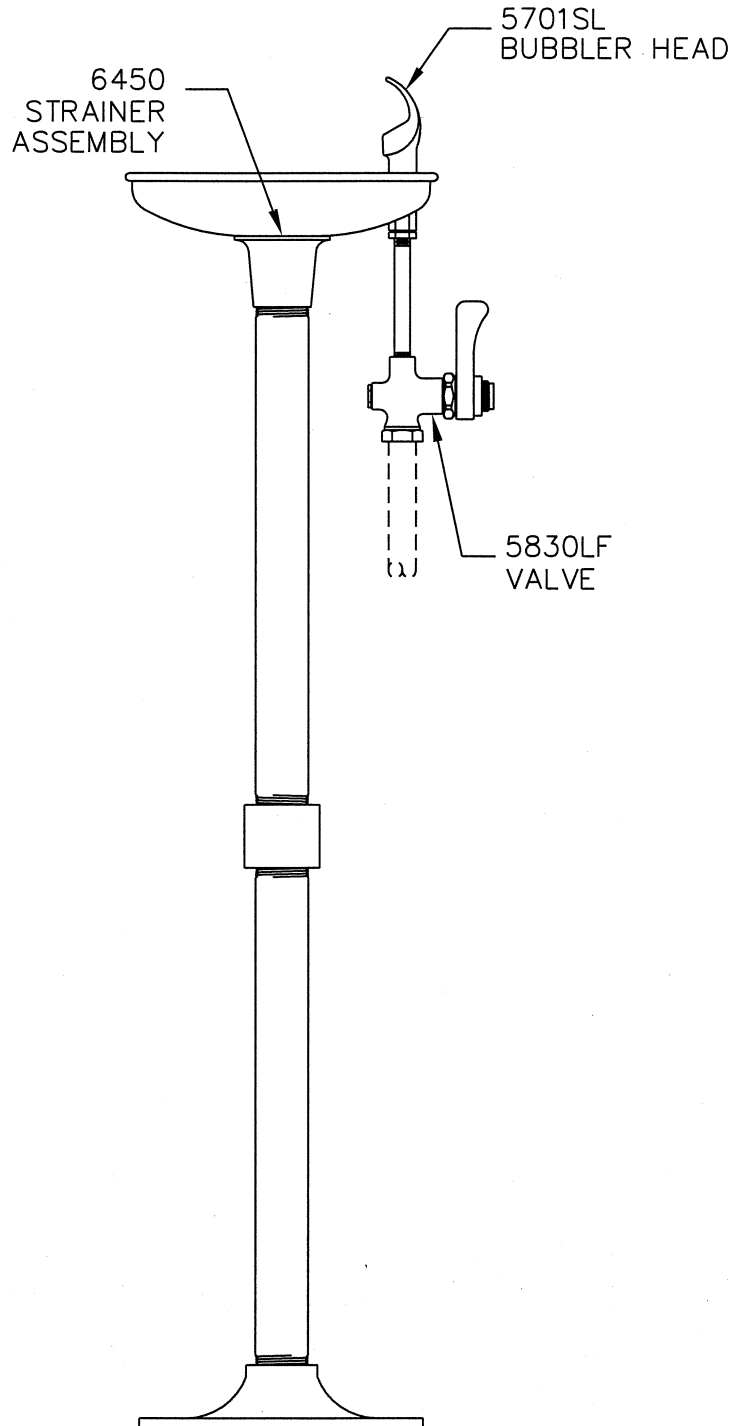
PLUMBING CONNECTIONS: Inlet at strainer is 3/8" O.D. female fitting. Waste outlet is 1-1/4" IPS.

MAINTENANCE: Periodically clean the strainer.

TROUBLESHOOTING

PROBLEM	REPAIR CHECKLIST
1. Insufficient bubbler flow.	1a. Check that inlet screwdriver stop valve is wide open. (Customer supplied) b. Verify minimum 30 psi flowing supply pressure. c. Clean inlet strainer. d. Turn adjustment screw counter-clockwise to increase flow. Remove cap (located on opposite side of handle) to gain access. See Installation Drawing.

PARTS BREAKDOWN



REV	DESCRIPTION	ECN	DATE	BY/APVD
11	UPDATED PER ECN	3878	12/13/06	HM
10	UPDATED PER ECN	3822	5/09/06	JF
9	UPDATED PER ECN	3600	01/25/05	HM
8	UPDATED PER ECN	3655	9/7/04	MD
7	UPDATED PER ECN	3415	08/03	MRR
0	CREATED PER ECN	2195	11/96	DO

REVISIONS

WHEN ORDERING PARTS PLEASE SPECIFY YOUR MODEL NUMBER

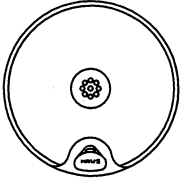


Haws Corporation

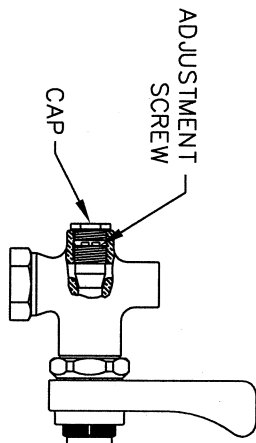
1455 KLEPPE LANE
SPARKS, NEVADA

BACHWEG 3
CH3401 BURGDORF
SWITZERLAND

DRAWN BY: D. OLLOM	DATE: 11/25/95	CHECK BY: <i>[Signature]</i>	APPROV BY:	SCALE: 1/3
TITLE: 3482		PART NUMBER: 002077446		
DRAWING TYPE: PARTS BREAKDOWN			DRAWING NUMBER: 12819C00	REV. 11

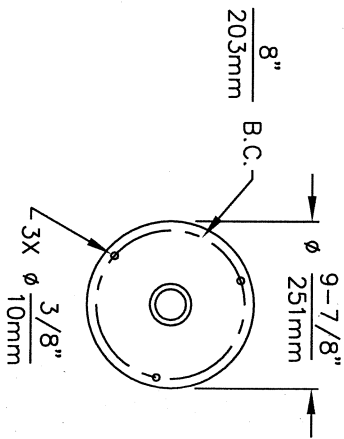
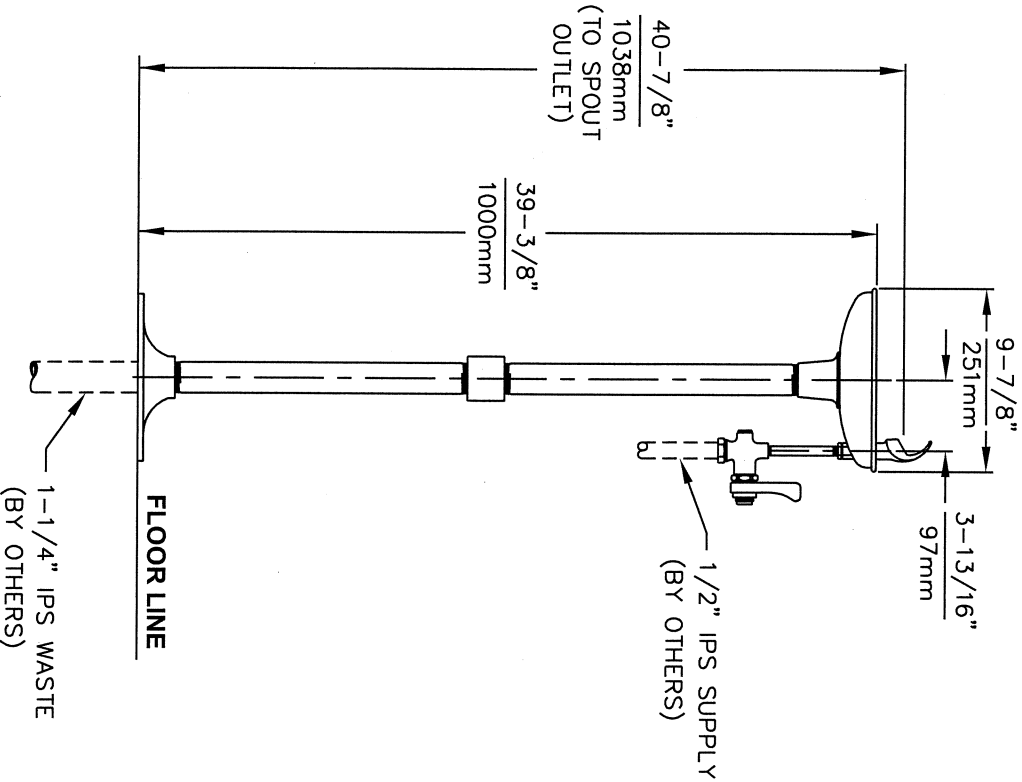


TO ADJUST FLOW, TURN ADJUSTMENT SCREW
COUNTER CLOCKWISE TO INCREASE FLOW, AND
CLOCKWISE TO DECREASE FLOW.



VALVE DETAIL

SCALE: 3X



MOUNTING DETAIL

ROUGH-IN DIMENSIONS MAY VARY ±1/4" (6.4mm).



INFO FAX : 1-888-FAX-HAWS (1-888-529-4297)
 1455 Kleppe Ln, Sparks NY, 89431
 Phone: 775-359-4712 Fax: 775-359-7424
 Haws Ag, Bichweg 3, CH-3401 Burgdorf, Switzerland
 Haws Mfg Pte Ltd 74 Sungai Kodul Loop Singapore 729531
 e-mail: Haws@hawsco.com website: www.hawsco.com

EST. NO.	REV. 3/78	REV. 11/01	MODEL(S)	0002077446.0
DATE	08/92	01/01	DATE	02/00
ISSUE	1	2	ISSUE	1
ISSUE	1	2	ISSUE	1
ISSUE	1	2	ISSUE	1