



model 3380GFR

ADA Outdoor Freeze-Resistant Pedestal Fountain

FEATURES & BENEFITS

BUBBLER HEAD

Polished chrome-plated brass bubbler head with an integral basin shank and inserted roll pin add vandal resistance strength to the design, and the shielded, angled stream orifice produces a steady sanitary source of water.

CONSTRUCTION

Heavy-duty 11-gauge galvanized steel finished pedestal incorporates a rounded tube design for an aesthetically pleasing fountain, and a vandal-resistant access plate for added peace of mind.

FREEZE-RESISTANT VALVE

Fully-engineered system with the pneumatic-operated, freeze-resistant valve installed below frost line to drain water to non-freezing depth allowing fountain to function year round. Assembly can be lifted to surface and lowered back into casing for easy maintenance without disturbing the fountain.

VANDAL-RESISTANT

The bubbler head, push button, round bowl, drain strainer and bottom plate are locked in place, discouraging unwanted vandal tampering.



SPECIFICATIONS

Model 3380GFR ADA vandal-resistant, freeze-resistant pedestal drinking fountain shall include an 18-gauge Type 304 Stainless Steel satin finish basin with integral swirl design, polished chrome-plated brass push button, polished chrome-plated brass vandal-resistant bubbler head, chrome-plated brass vandal-resistant waste strainer, 11-gauge galvanized steel pedestal, integral mounting plate, and 1-1/2" O.D. tailpiece.

REQUIRES MODEL 6518FR PRICED SEPARATELY (Consult with the local authority having jurisdiction before installation in order to determine if any additional regulations or requirements may apply)

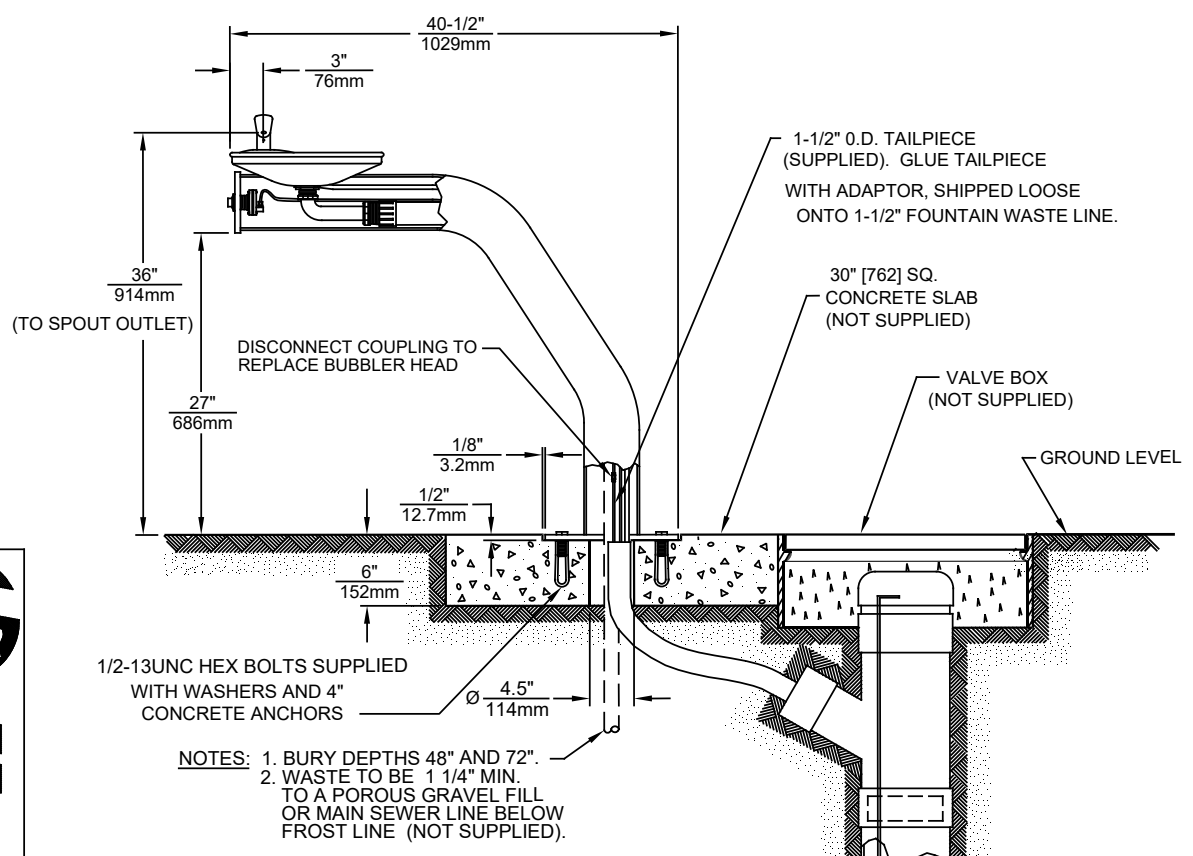
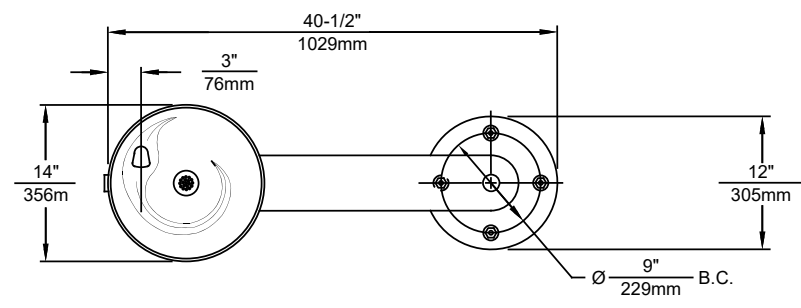
APPLICATIONS

Perfect for either public or private outdoor settings, the 3380GFR is a great fit in areas where aesthetics are important to the overall appeal of the architecture. Galvanized finish helps to maintain the fountain's overall appeal. This type of pedestal drinking fountain may also be placed in a variety of settings such as: parks, schools, and other outdoor environments around office buildings where the temperature may drop into freezing conditions. Model meets all current Federal Regulations for the disabled including those in the Americans with Disabilities Act. Haws manufactures drinking fountains, faucets and electric water coolers to be lead-free by all known definitions including NSF/ANSI/CAN 61-Section 9, NSF/ANSI/ CAN 372, California Proposition 65, and the Federal Safe Drinking Water Act. Product is compliant to California Health and Safety Code 116875 (AB 1953-2006), and NSF/ANSI/CAN 61: Q ≤ 1.



THIS DOCUMENT IS TRUE AND CORRECT AT TIME OF PUBLICATION. CONTINUED PRODUCT IMPROVEMENTS MAKE SPECIFICATIONS AND MEASUREMENTS SUBJECT TO CHANGE WITHOUT NOTICE.

3380FR/3380GFR WITH 6518FR



6518FR VALVE ASSY



1455 KLEPPE LANE
SPARKS, NEVADA 89431
(775) 358-4712 FAX (775) 358-7424
E-MAIL: HAWS@HAWS.CO.COM
WEBSITE: WWW.HAWS.CO.COM

| | | | | | | | | | | | | |
|-------------|----------------|------|----------|-------|------|-------|--------------|--------------|------|-------|----|--------------|
| EQ. NO. | REVISION | BY | DATE | CHKD. | DATE | SCALE | DRAWING TYPE | INSTALLATION | SIZE | SHEET | OF | TOTAL SHEETS |
| CON. 5882 | | F.V. | 08/17/92 | JP | | 1:17 | | | A | 1 | OF | 1 |
| APPROVED: | | | | | | | | | | | | |
| MODEL(S) | 3380FR/3380GFR | | | | | | | | | | | |
| PART NUMBER | 000207370D | | | | | | | | | | | |
| REVISION | 16 | | | | | | | | | | | |

©2018 Haws Corporation - All Rights Reserved. HAWS® and other trademarks used in these materials are the exclusive property of Haws Corporation.