



INSTALLATION, OPERATION & MAINTENANCE INSTRUCTIONS

1455 Kleppe Lane ♦ Sparks, NV 89431-6467 ♦ (775) 359-4712 ♦ Fax (775) 359-7424
E-mail: haws@hawsco.com ♦ website: www.hawsco.com

No. 2077367 (19)

Model 3380/3380G Drinking Fountain

NOTE TO INSTALLER: Please leave this information with the Maintenance Department.

LIMITED WARRANTY

HAWS warrants that this specific product is guaranteed against defective material or poor workmanship for a period of **one year from date of shipment**. HAWS liability under this warranty shall be discharged by furnishing without charge F.O.B. HAWS Factory any goods, or part thereof, which shall appear to the Company upon inspection to be of defective material or not of first class workmanship, provided that claim is made in writing to Haws within a reasonable period after receipt of the product. Where claims for defects are made, the defective part or parts shall be delivered to the Company, prepaid, for inspection. HAWS will not be liable for the cost of repairs, alterations or replacements, or for any expense connected therewith made by the owner or his agents, except upon written authority from HAWS, Sparks, Nevada. HAWS will not be liable for any damages caused by defective materials or poor workmanship, except for replacements, as provided above. Buyer agrees that HAWS shall not be liable for general, special, or consequential damages claimed to arise under the contract of sale. The drinking fountain manufactured by HAWS is warranted to function if installation and maintenance instructions provided are adhered to. The units also must be used for the purpose for which they were intended.

**NO OTHER WARRANTIES EXPRESSED OR IMPLIED ARE AUTHORIZED,
PROVIDED OR GIVEN BY HAWS.**

**SHOULD YOU EXPERIENCE DIFFICULTY WITH THE INSTALLATION OF THIS
MODEL PLEASE CALL:**

TECHNICAL SUPPORT: 1-800-766-5612

FOR CUSTOMER SERVICE: 1-888-640-4297

RECOMMENDED TOOLS: Hack saw, pipe joint sealant, screwdriver, level, 12" adjustable wrench, 10" pipe wrench, 5/64" hex key wrench, 9/16", 1/2", 7/16" socket wrench or open end wrench.

LOCATION OF UNIT: The Model 3380/3380G Drinking Fountain is a wheelchair accessible drinking water facility. The height dimensions shown, meet current ADA requirements. When installing this unit, local, state or federal codes should be adhered to. If height other than shown is required, then dimensions must be adjusted accordingly.

SUPPLY LINE: The minimum recommended line size is 1/2" IPS with 30-90 psi (2-6 ATM) flowing pressure. Where sediment or mineral content is a problem, an inlet filter is recommended.

PLUMBING CONNECTIONS: Inlet is 1/4" IPS male fitting. Waste outlet is 1-1/2" O.D. tailpiece.

MAINTENANCE: Periodically clean the strainer. Refer to 5874 Series Valve Manual for more information.

TROUBLESHOOTING

PROBLEM	REPAIR CHECKLIST
1. Insufficient bubbler flow.	1a. Check that inlet screwdriver stop valve is in wide-open position. b. Verify minimum 30 psi flowing supply pressure. c. Clean strainer. See 5874 Series Valve Manual. d. Adjust valve to increase flow. Use front adjust screw or see 5874 Series Valve Manual. e. Clean screens (inside nozzle body). Unscrew nozzle insert and very gently activate water supply to pop out qty. 3 screens (be careful not to lose screens). Remove any debris clogging the screen openings and place back into nozzle body. Reassemble nozzle insert.

General Notes:

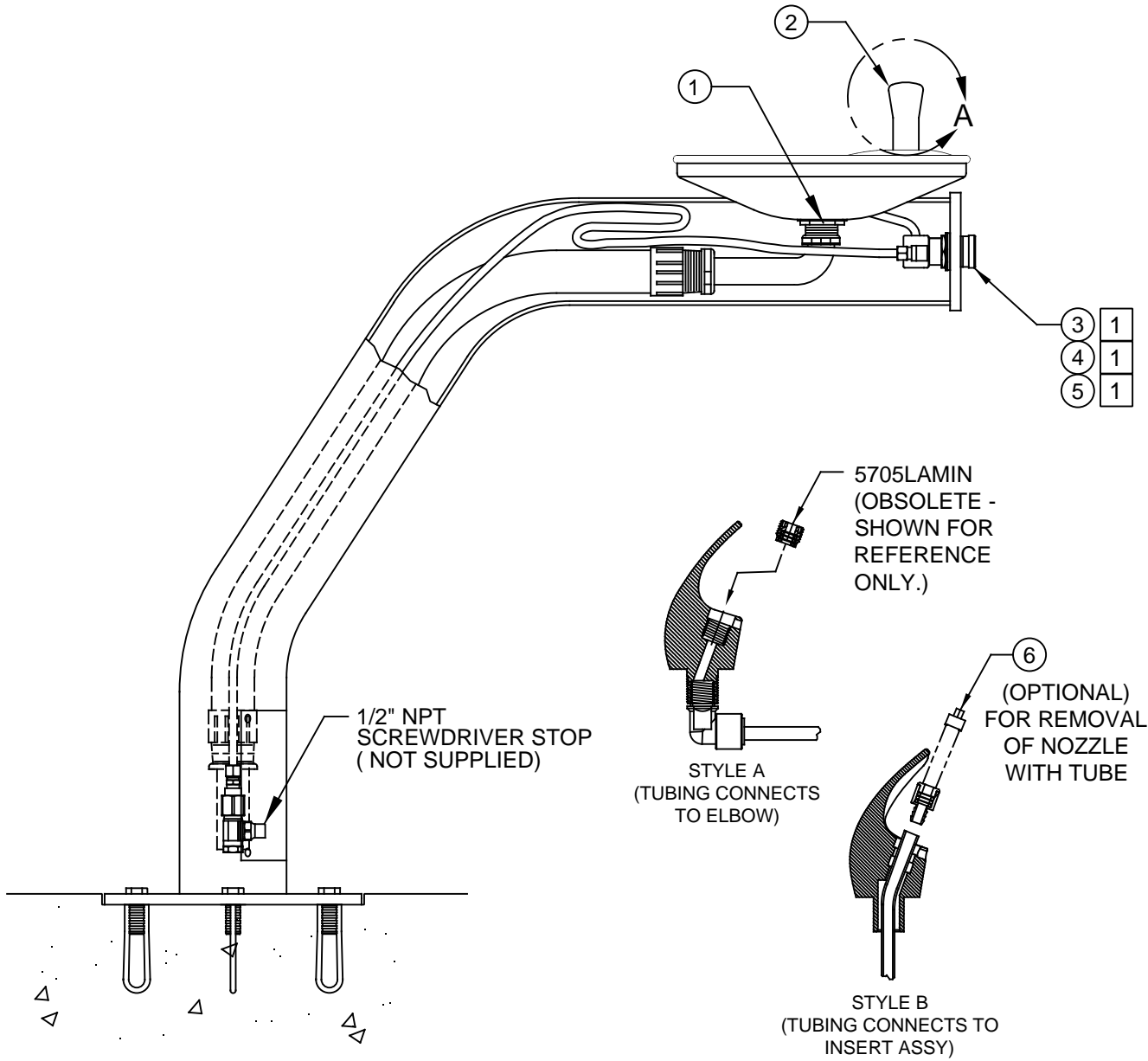
Before tightening nut and ferrule assembly, push tubing into fitting until it bottoms out to ensure correct engagement with O-Ring.

For more information about Haws products, see our website: www.hawsc.com

ITEM	DESCRIPTION	PART NO.
1	STRAINER	0005624292
2	BUBBLER HEAD, PCP (STYLE A OR STYLE B)	5705
3	BUTTON, PUSH, RECESSED W/VALVE	5874PB
4	VALVE REPAIR KIT	VRK5874
5	BUTTON ASSY, PUSH, 5874	PBA7
6	DRIVER, NOZZLE .25 HEX	0002082253

NOTES:


- 1 ITEM 3, 5874PB PUSH BUTTON, INCLUDES ITEM 4, VRK5874 VALVE REPAIR KIT, AND ITEM 5, PBA7 PUSH BUTTON ASSY.
- 2 ENSURE TUBE IS DISCONNECTED FROM PUSH BUTTON VALVE BODY PRIOR TO REMOVAL. APPLY ONE DROP OF LOCTITE 222MS TO NOZZLE THREADS PRIOR TO FASTENING BACK ONTO BUBBLER HEAD. RE-ATTACH TUBE TO VALVE.



**FOUNTAIN COULD HAVE EITHER STYLE
DETAIL A
ROTATED 90° INTO VIEW**

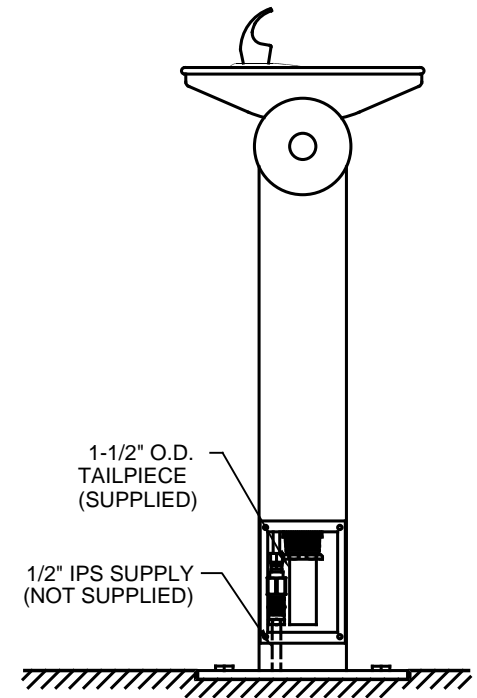
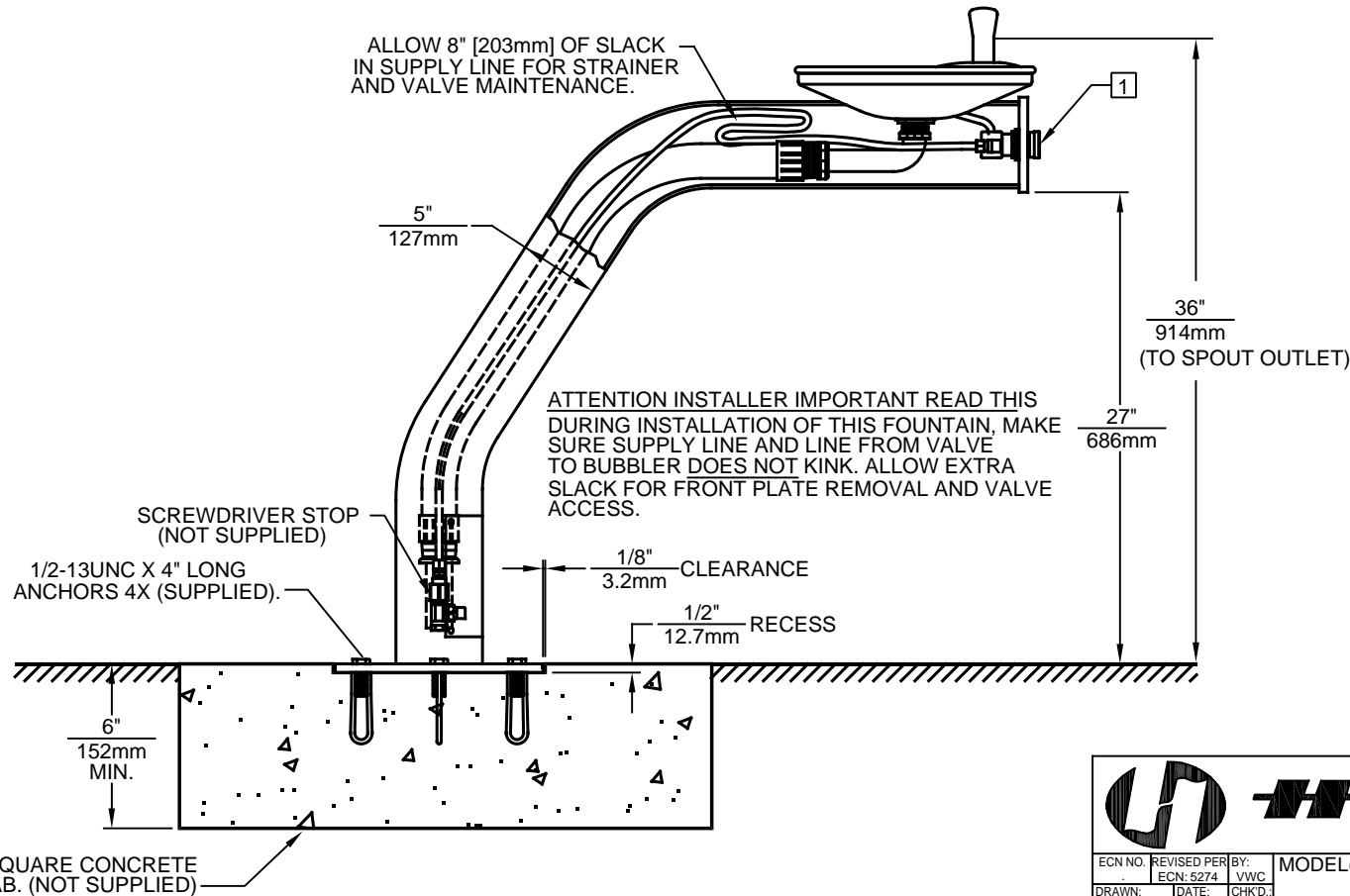
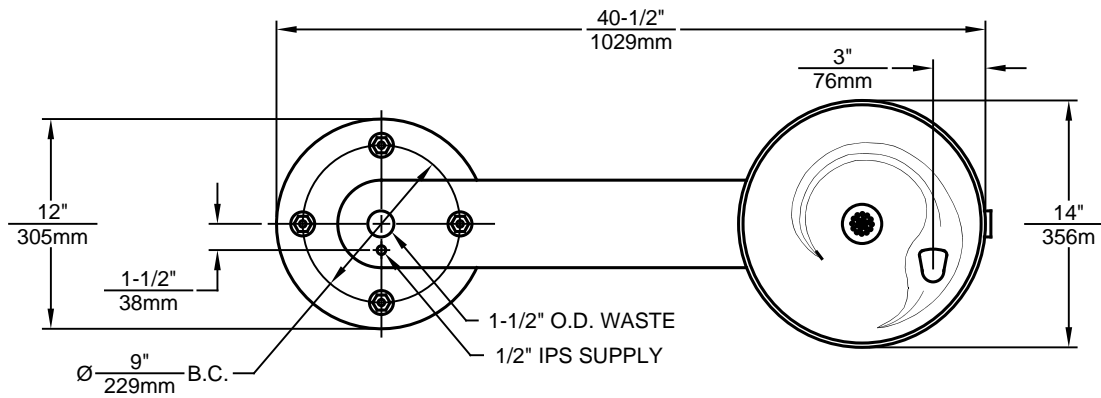
PARTS BREAKDOWN


WHEN ORDERING PARTS PLEASE SPECIFY MODEL NUMBER.

		Haws®		1455 KLEPPE LANE SPARKS, NEVADA 89431 (775) 359-4712 FAX (775) 359-7424 E-MAIL: HAWS@HAWS.CO.COM WEBSITE: WWW.HAWS.CO.COM	
				ECN NO. REVISED PER BY ECN: 5274 VWC	MODEL(S) 3380/3380G
DRAWN D. OLLOM	DATE 11-25-95	CHKD VWC	APPROVED FV	DATE 02/23/18	SCALE: 1:8 DRAWING TYPE: PARTS BREAKDOWN SIZE: A SHEET 1 OF 1

NOTES:

- 1 REFER TO 5874 SERIES OPERATION AND MAINTENANCE MANUAL FOR PUSH BUTTON AND VALVE INSTALLATION/ MAINTENANCE INSTRUCTIONS.





Haws[®]

1455 KLEPPE LANE
SPARKS, NEVADA 89431
(775) 359-4712 FAX (775) 359-7424
E-MAIL: HAWS@HAWS.CO.COM
WEBSITE: WWW.HAWS.CO.COM

ECN NO.	REVISED PER	BY:	MODEL(S)	PART NUMBER
	ECN: 5274	VWC		0002077367.D
DRAWN:	DATE:	CHKD.:		REVISION
C. HAYES	07/27/92	VWC	3380/3380G	19
APPROVED:	DATE:	SCALE:	DRAWING TYPE:	SHEET
FV	02/23/18	1:12	INSTALLATION	1 OF 1