



# INSTALLATION, OPERATION & MAINTENANCE INSTRUCTIONS

1455 Kleppe Lane ♦ Sparks, NV 89431-6467 ♦ (775) 359-4712 ♦ Fax (775) 359-7424  
E-mail: [haws@hawsco.com](mailto:haws@hawsco.com) ♦ website: [www.hawsco.com](http://www.hawsco.com)

No. 0002077370 (17)

## Model 3380FR/3380GFR Drinking Fountain

**NOTE TO INSTALLER:** Please leave this information with the Maintenance Department.

### LIMITED WARRANTY

HAWS warrants that this specific product is guaranteed against defective material or poor workmanship for a period of **one year from date of shipment**. HAWS liability under this warranty shall be discharged by furnishing without charge F.O.B. HAWS Factory any goods, or part thereof, which shall appear to the Company upon inspection to be of defective material or not of first class workmanship, provided that claim is made in writing to Haws within a reasonable period after receipt of the product. Where claims for defects are made, the defective part or parts shall be delivered to the Company, prepaid, for inspection. HAWS will not be liable for the cost of repairs, alterations or replacements, or for any expense connected therewith made by the owner or his agents, except upon written authority from HAWS, Sparks, Nevada. HAWS will not be liable for any damages caused by defective materials or poor workmanship, except for replacements, as provided above. Buyer agrees that HAWS shall not be liable for general, special, or consequential damages claimed to arise under the contract of sale. The drinking fountain manufactured by HAWS is warranted to function if installation and maintenance instructions provided are adhered to. The units also must be used for the purpose for which they were intended.

**NO OTHER WARRANTIES EXPRESSED OR IMPLIED ARE AUTHORIZED,  
PROVIDED OR GIVEN BY HAWS.**

**SHOULD YOU EXPERIENCE DIFFICULTY WITH THE INSTALLATION OF THIS  
MODEL PLEASE CALL:**

**TECHNICAL SUPPORT: 1-800-766-5612**

**FOR CUSTOMER SERVICE: 1-888-640-4297**

**RECOMMENDED TOOLS:** Hack saw, pipe joint sealant, screwdriver, level, 12" adjustable wrench, 10" pipe wrench, 5/64" hex key wrench, 9/16", 1/2", 7/16" socket wrench or open end wrench.

**LOCATION OF UNIT:** The Model 3380FR Drinking Fountain is a wheelchair accessible drinking water facility. The height dimensions shown, meet current ADA requirements. When installing this unit, local, state or federal codes should be adhered to. If height other than shown is required, then dimensions must be adjusted accordingly.

**SUPPLY LINE:** The minimum recommended line size is 1/2"IPS. Flowing pressure is 30-90 psi (2-6 ATM) for Models 3380FR and 3380GFR. Where sediment or mineral content is a problem, an inlet filter is recommended.

**PLUMBING CONNECTIONS:** Supply inlet is 1/2" IPS male. Waste outlet is 1-1/2"O.D. tailpiece.

**MAINTENANCE:** Refer to 6518FR Operation and Maintenance Sheet for additional information.

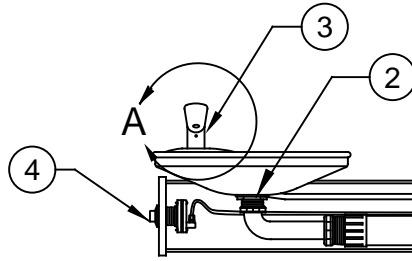
<b>TROUBLESHOOTING</b>	
<b>3380FR/3380GFR with 6518FR</b>	
<b>PROBLEM</b>	<b>REPAIR CHECKLIST</b>
1. Insufficient bubbler flow.	<ul style="list-style-type: none"><li>a. Check that inlet screwdriver stop valve is wide open (customer supplied).</li><li>b. Verify minimum 30 psi flowing supply pressure.</li><li>c. Adjust valve to increase flow. See 6518FR manual.</li><li>d. Clean screens (inside nozzle body). Unscrew nozzle insert and very gently activate water supply to pop out qty. 3 screens (be careful not to lose screens). Remove any debris clogging the screen openings and place back into nozzle body. Reassemble nozzle insert.</li></ul>

**General Notes:**

Before tightening nut and ferrule assembly, push tubing into fitting until it bottoms out to ensure correct engagement with O-Ring.

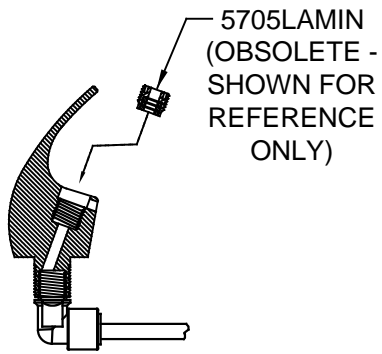
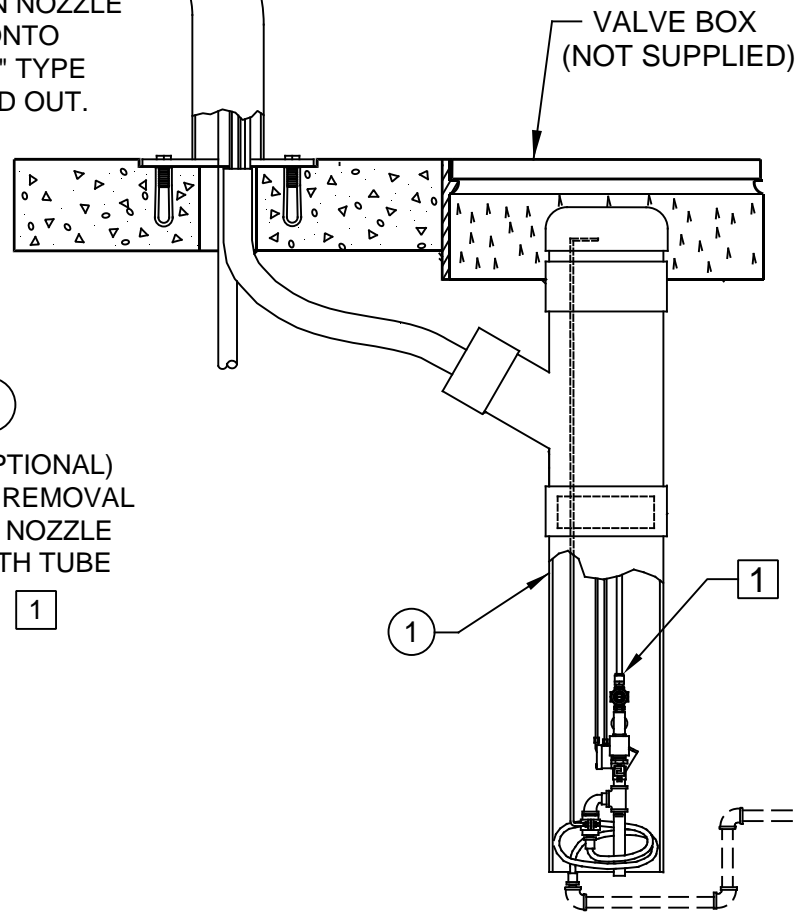
ITEM	DESCRIPTION	PART NO.
1	VALVE, FREEZE RESISTANT	6518FR
2	STRAINER	0005624292
3	BUBBLER HEAD (STYLE A OR STYLE B)	5705FR
4	PUSH BTN ASS'Y	5881PBA
5	DRIVER, NOZZLE .25 HEX	0002082253

\*\* REQUIRED - SOLD SEPARATELY

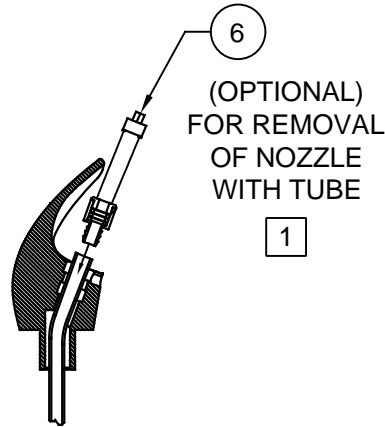


NOTE:

- 1 ENSURE TUBE IS DISCONNECTED FROM "PUSH-IN" TYPE CONNECTOR ON PRESSURE REGULATOR PRIOR TO REMOVAL. APPLY A DROP OF LOCTITE 222MS ON NOZZLE THREADS PRIOR TO REASSEMBLING BACK ONTO BUBBLER HEAD. REATTACH TUBE TO "PUSH-IN" TYPE CONNECTOR ENSURING IT IS FULLY BOTTOMED OUT.



STYLE A  
(TUBING CONNECTS TO ELBOW)



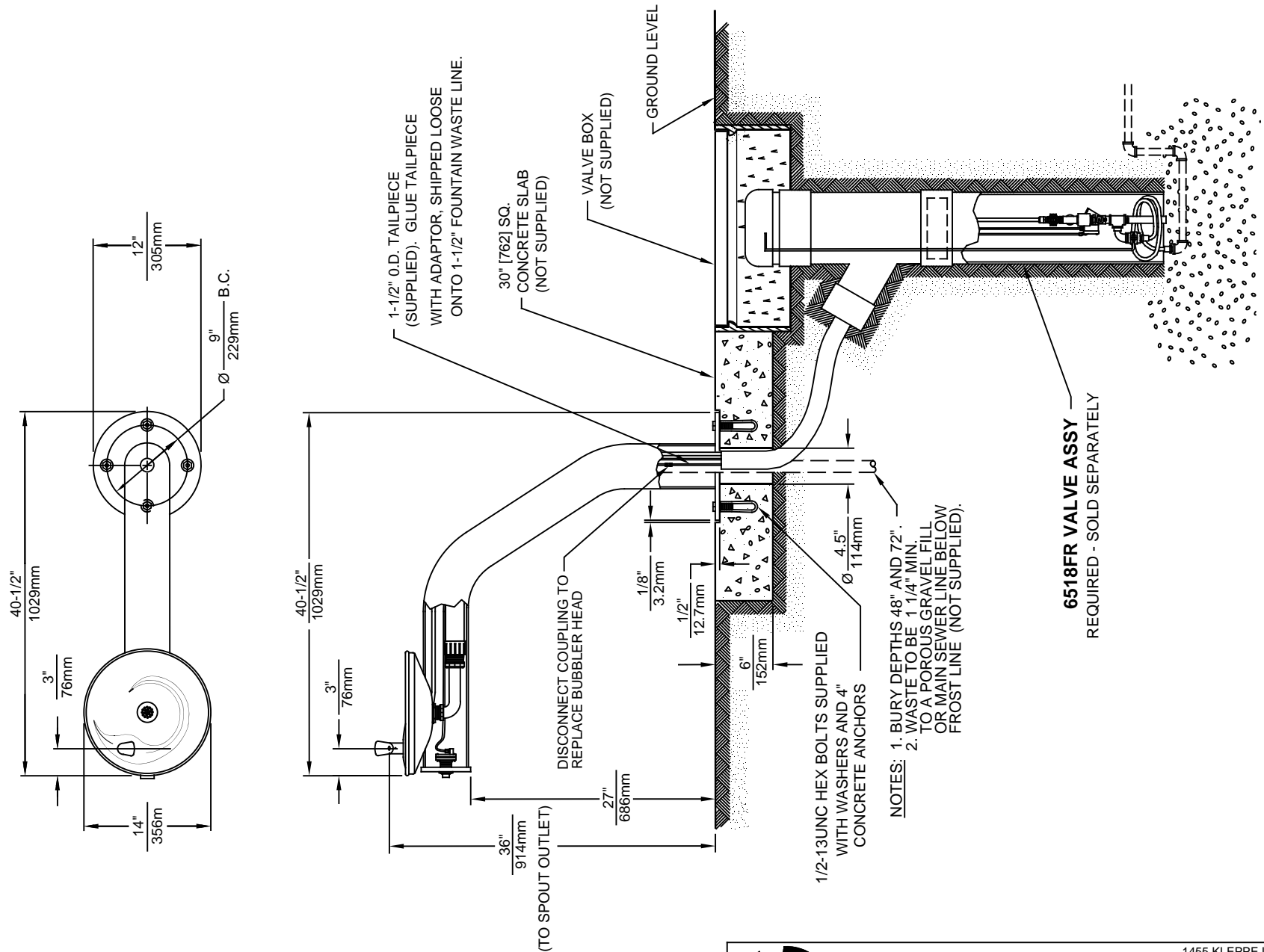
STYLE B  
(TUBING CONNECTS TO INSERT ASSY)


FOUNTAIN COULD HAVE EITHER STYLE  
DETAIL A  
ROTATED 90° INTO VIEW

# PARTS BREAKDOWN

WHEN ORDERING PARTS PLEASE SPECIFY MODEL NUMBER.

		1455 KLEPPE LANE SPARKS, NEVADA 89431 (775) 359-4712 FAX (775) 359-7424 E-MAIL: HAWS@HAWS.CO.COM WEBSITE: WWW.HAWS.CO.COM	
		ECN NO. REVISED PER BY ECN: 5527 FV	MODEL(S) 3380FR/3380GFR
DRAWN D. OLLOM DATE 11/25/95 APPROVED FV DATE 04/02/20	DATE 11/25/95 CHKD DP	REVISION 17	SCALE: 1:12   DRAWING TYPE: PARTS BREAKDOWN   SIZE: A   SHEET 1 OF 1





1455 KLEPPE LANE  
SPARKS, NEVADA 89431  
(775) 359-4712 FAX (775) 359-7424  
E-MAIL: HAWS@HAWS.CO.COM  
WEBSITE: WWW.HAWS.CO.COM

ECN NO. ECN: 5527	REVISED PER: FV	BY: FV	MODEL(S) <b>3380FR/3380GFR</b>	PART NUMBER <b>0002077370.D</b>
DRAWN: C. HAYES	DATE: 08/12/92	CHKD: DP		REVISION <b>17</b>
APPROVED: FV	DATE: 04/02/20	SCALE: 1:17	DRAWING TYPE: INSTALLATION	SHEET 1 OF 1