



# INSTALLATION, OPERATION & MAINTENANCE INSTRUCTIONS

1455Kleppe Lane ♦ Sparks, NV 89431-6467 ♦ (775)359-4712 ♦ Fax 359-7424  
E-mail: [haws@hawsco.com](mailto:haws@hawsco.com) ♦ website: [www.hawsco.com](http://www.hawsco.com)

No. 0002077364 (15)

## Model 3377/3377G Drinking Fountain

**NOTE TO INSTALLER:** Please leave this information with the Maintenance Department.

### LIMITED WARRANTY

HAWS warrants that this specific product is guaranteed against defective material or poor workmanship for a period of **one year from date of shipment**. HAWS liability under this warranty shall be discharged by furnishing without charge F.O.B. HAWS Factory any goods, or part thereof, which shall appear to the Company upon inspection to be of defective material or not of first class workmanship, provided that claim is made in writing to Haws within a reasonable period after receipt of the product. Where claims for defects are made, the defective part or parts shall be delivered to the Company, prepaid, for inspection. HAWS will not be liable for the cost of repairs, alterations or replacements, or for any expense connected therewith made by the owner or his agents, except upon written authority from HAWS, Sparks, Nevada. HAWS will not be liable for any damages caused by defective materials or poor workmanship, except for replacements, as provided above. Buyer agrees that HAWS shall not be liable for general, special, or consequential damages claimed to arise under the contract of sale. The drinking fountain manufactured by HAWS is warranted to function if installation and maintenance instructions provided are adhered to. The units also must be used for the purpose for which they were intended.

**NO OTHER WARRANTIES EXPRESSED OR IMPLIED ARE AUTHORIZED,  
PROVIDED OR GIVEN BY HAWS.**

**SHOULD YOU EXPERIENCE DIFFICULTY WITH THE INSTALLATION OF THIS  
MODEL PLEASE CALL:**

**TECHNICAL SUPPORT: 1-800-766-5612**

**FOR CUSTOMER SERVICE: 1-888-640-4297**

**RECOMMENDED TOOLS:** Hack saw, pipe joint sealant, screwdriver, level, 12" adjustable wrench, 10" pipe wrench, 3/32" and 5/32" hex key wrench, 9/16", 1/2", 7/16" socket wrench or open end wrench.

**LOCATION OF UNIT:** The Model 3377/3377G Drinking Fountain is a wheelchair accessible drinking water facility. The height dimensions shown, meet current ADA requirements. When installing this unit, local, state or federal codes should be adhered to. If height other than shown is required, then dimensions must be adjusted accordingly.

**SUPPLY LINE:** The minimum recommended line size is 1/2" IPS with 30-90 psi (2-6 ATM) flowing pressure. Where sediment or mineral content is a problem, an inlet filter is recommended.

**PLUMBING CONNECTIONS:** Inlet is 3/8" O.D. compression fitting. Waste outlet is 1-1/4" O.D. Slip Joint.

**MAINTENANCE:** Periodically clean the strainer. Refer to 5874 Series Valve Manual for information.

## TROUBLESHOOTING

PROBLEM	REPAIR CHECKLIST
1. Insufficient bubbler flow.	<ul style="list-style-type: none"><li>1a. Check that inlet screwdriver stop valve is wide open.</li><li>b. Verify minimum 30 psi flowing supply pressure.</li><li>c. Clean inlet strainer. See 5874 Series Valve Manual.</li><li>d. Adjust valve to increase flow. Use front adjust screw or see 5874 Series Valve Manual.</li><li>e. Clean screens (inside nozzle body). Unscrew nozzle insert and very gently activate water supply to pop out qty. 3 screens (be careful not to lose screens). Remove any debris clogging the screen openings and place back into nozzle body. Reassemble nozzle insert.</li></ul>

**General Notes:**

Before tightening nut and ferrule assembly, push tubing into fitting until it bottoms out to ensure correct engagement with O-Ring.

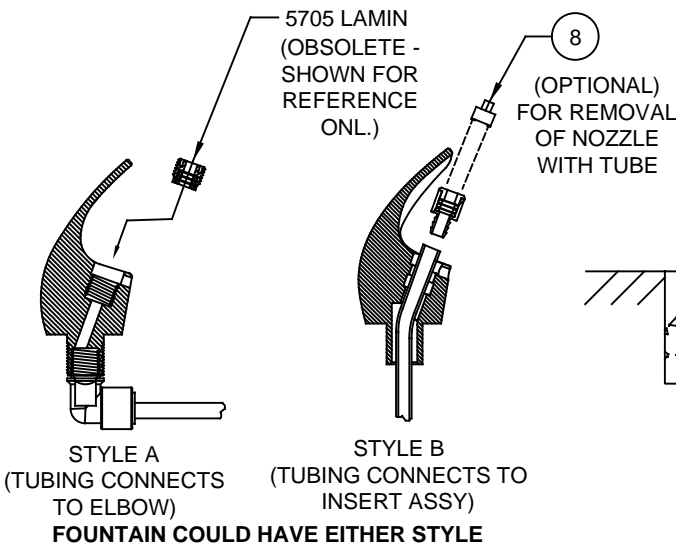
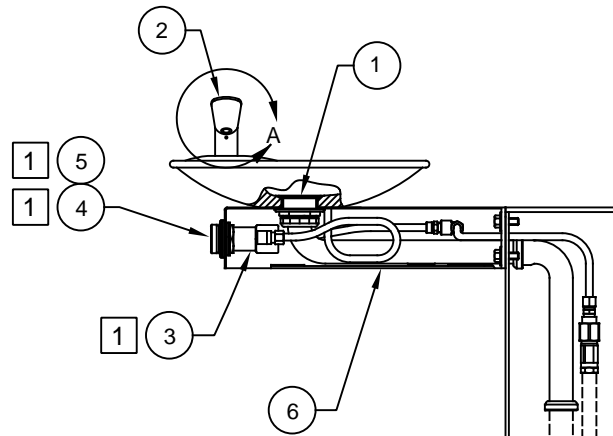
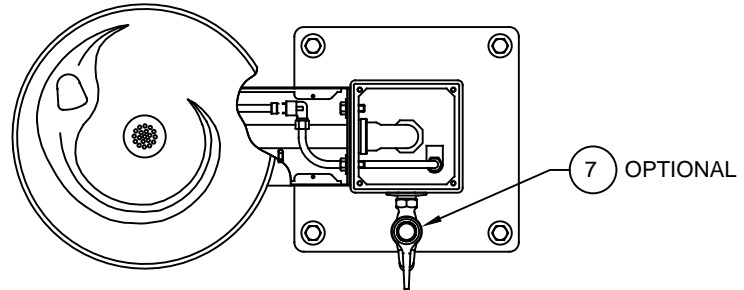
For more information about Haws products, see our website: [www.hawsc.com](http://www.hawsc.com)

NOTES:

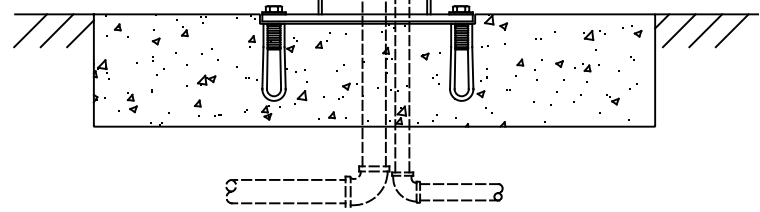
1 5874PB (ITEM 3) INCLUDES VRK5874 CARTRIDGE ASSEMBLY (ITEM 4) AND PBA6 FLANGED PUSH BUTTON (ITEM 5).

ITEM	DESCRIPTION	PART NO.
1	STRAINER ASSY 6463	6463
2	HEAD W/LAMINAR INSERT (STYLE A OR STYLE B)	5705
3	BUTTON, PUSH, FLANGED W/ VALVE	5874PBF
4	VALVE REPAIR KIT	VRK5874
5	BUTTON, ASSY, PUSH, FLANGED, 5874	PBA6
6	BOTTOM PLATE	PBM1000
7	BIB FAUCET (OPTIONAL)	6250LF
* 8	DRIVER, NOZZLE .25 HEX	0002082253

\* DENOTES OPTIONAL PART



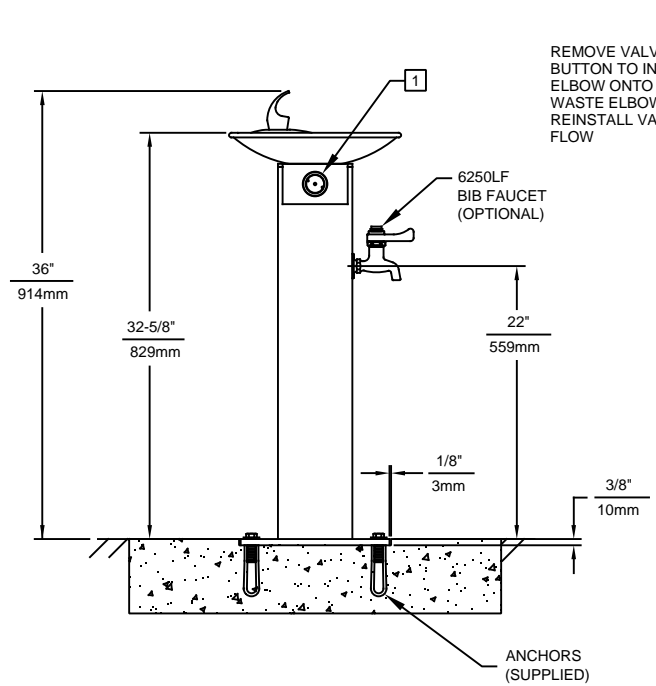
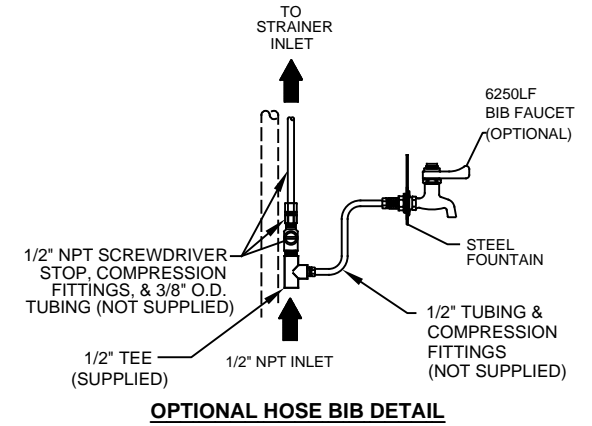
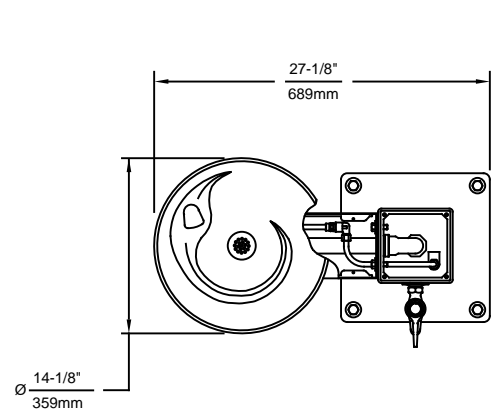
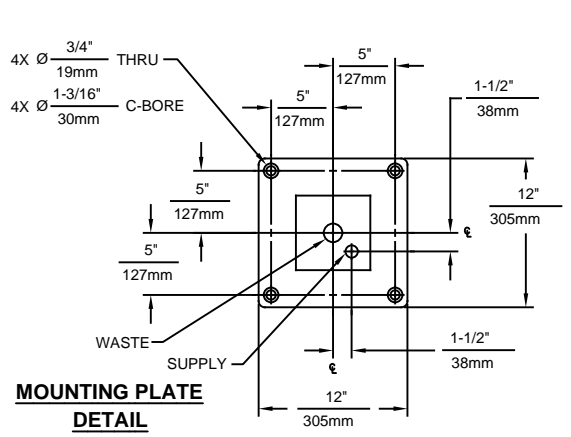
DETAIL A  
ROTATED 90° INTO VIEW



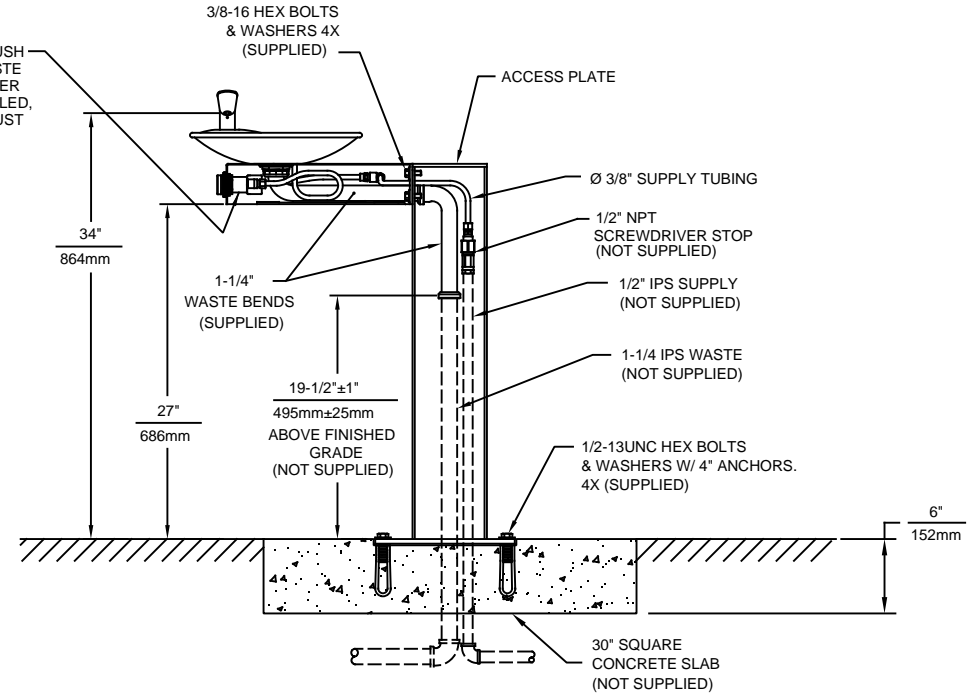
# PARTS BREAKDOWN

WHEN ORDERING PARTS PLEASE SPECIFY MODEL NUMBER.

		1455 KLEPPE LANE SPARKS, NEVADA 89431 (775) 359-4712 FAX (775) 359-7424 E-MAIL: HAWS@HAWSO.COM WEBSITE: WWW.HAWSO.COM	
ECN NO.	REVISED PER	BY	MODEL(S)
RTM	DATE	CHKD	3377/3377G
APPROVED	DATE	DP	PART NUMBER
IR	12/09/19		0002077364
SCALE: 1:5 DRAWING TYPE: PARTS BREAKDOWN			REVISION
			15
			SHEET 1 OF 1




REMOVE VALVE FROM PUSH BUTTON TO INSTALL WASTE ELBOW ONTO BOWL. AFTER WASTE ELBOW IS INSTALLED, REINSTALL VALVE & ADJUST FLOW



NOTES:

1 REFER TO 5874 SERIES OPERATION AND MAINTENANCE MANUAL FOR PUSH BUTTON AND VALVE INSTALLATION/MAINTENANCE INSTRUCTIONS.



**Haws**

1455 KLEPPE LANE  
SPARKS, NEVADA 89431  
(775) 359-4712 FAX (775) 359-7424  
E-MAIL: HAWS@HAWSCO.COM  
WEBSITE: WWW.HAWSCO.COM

ECN NO. REVISED PER BY:		MODEL(S)		PART NUMBER	
ECN: 5438 FV		3377/3377G		0002077364.D	
DRAWN: RTM	DATE: 05/97	CHKD: DP	REVISION		
APPROVED: IR			DATE: 12/09/19	SCALE: 1:15	DRAWING TYPE: INSTALLATION
				SIZE: A	SHEET 1 OF 1