



# INSTALLATION, OPERATION & MAINTENANCE INSTRUCTIONS

1455 Kleppe Lane ♦ Sparks, NV 89431-6467 ♦ (775) 359-4712 ♦ Fax (775) 359-7424  
E-mail: [haws@hawsco.com](mailto:haws@hawsco.com) ♦ website: [www.hawsco.com](http://www.hawsco.com)

No. 0510000491 (6)

## Model 1920FR Drinking Fountain

**NOTE TO INSTALLER: Please leave this information with the Maintenance Department.**

### LIMITED WARRANTY

*HAWS* warrants that all of its products are guaranteed against defective material or poor workmanship for a period of **one year from the date of shipment**. The foregoing notwithstanding, *HAWS* warrants certain specific products or components thereof for an adjusted period. A list of these excepted products and components and a description of their respective warranty terms may be found here: [www.hawsco.com/warranty](http://www.hawsco.com/warranty). *HAWS*' liability under this warranty shall be discharged by furnishing without charge F.O.B. *HAWS* factory any goods, or part thereof, which shall appear to the Company upon inspection to be of defective material or not of first-class workmanship, provided that a claim is made in writing to Company within a reasonable period after receipt of the product. Where claims for defects are made, the defective part or parts shall be delivered to the Company, prepaid, for inspection. *HAWS* shall not be liable for the cost of repairs, alterations or replacements, or the labor required to implement them, or for any expense connected therewith made by the owner or owner's agents, except upon written authority from *HAWS*. *HAWS* shall not be liable for any damages caused by defective materials or poor workmanship, except for replacements, as provided above. Buyer agrees that *HAWS* has made no other warranties either express or implied in addition to those above stated, except that of title with respect to any of the products or equipment sold hereunder and that *HAWS* shall not be liable for general, special, incidental, or consequential damages claimed to arise under the contract of sale.

Equipment manufactured by *HAWS* is warranted to function if installation and maintenance instructions provided are adhered to. The units also must be used for the purpose for which they were intended. Any *HAWS* emergency equipment is intended to supplement first-aid treatment. Due to widely varying conditions, *HAWS* cannot guarantee that the use of this emergency equipment will prevent serious injury or the aggravation of existing or prior injuries.

**EXCEPT AS EXPRESSLY STATED HEREIN, HAWS HEREBY DISCLAIMS ALL WARRANTIES, WHETHER EXPRESS OR IMPLIED, ARISING BY LAW OR OTHERWISE, INCLUDING WITHOUT LIMITATION, ANY IMPLIED WARRANTIES OF MERCHANTABILITY AND FITNESS FOR A PARTICULAR PURPOSE. THIS WARRANTY MAY NOT BE MODIFIED OR EXTENDED WITHOUT THE WRITTEN CONSENT OF HAWS. REMEDIES AND REPLACEMENTS STATED HEREIN ARE EXCLUSIVE. IN NO EVENT SHALL HAWS BE LIABLE FOR ANY SPECIAL, PUNITIVE, CONSEQUENTIAL OR INCIDENTAL DAMAGES TO ANY PERSON INCLUDING BUT NOT LIMITED TO DAMAGES FOR LOSS OF USE OR PROFITS, SUBSTITUTE PRODUCTS OR COSTS, PROPERTY DAMAGE, OR OTHER MONETARY LOSS.**

**SHOULD YOU EXPERIENCE DIFFICULTY WITH THE INSTALLATION OF THIS MODEL PLEASE CALL:**

**TECHNICAL SUPPORT: 1-800-766-5612**  
**FOR CUSTOMER SERVICE: 1-888-640-4297**

**REQUIRED TOOLS:** Tubing cutter, 3/32" and 5/32" hex key set, adjustable wrench or socket.

**LOCATION OF UNIT:** The Model 1920FR bottle filler water dispenser can be installed in various applications. Possible installations include indoor over an existing single or dual drinking fountain, outdoors over an existing single or dual fountain, or as a stand-alone wall-mounted bottle filler. When installing this unit, local, state or federal codes should be adhered to.

**SUPPLY LINE:** The minimum recommended line size is 3/8"O.D. copper or plastic tubing with 30-90 psi (2-6 ATM) pressure. Where sediment or mineral content is a problem, an inlet filter is recommended.

**PLUMBING CONNECTIONS:** Inlet is 3/8"O.D. push-in type fitting.

**MAINTENANCE:** Refer to 6521FR operation and maintenance sheet for more information.

## INSTALLATION PROCEDURE

### GENERAL NOTES:

1. For all plastic push-in type fitting connections, only connect NSF-61 copper or plastic tubing. Stainless steel or glass tubing is not recommended. The following assembly instructions must be followed to ensure a watertight connection:
  - a. Cut tubing square and clean.
  - b. Mark from end of tube the length of insertion (See table below).
  - c. Push tube into the fitting until it bottoms out.
  - d. To remove, depress collet and pull tubing out.

Tube Sizes	O.D. Tolerance	Insertion Depth
3/8"	±.005"	3/4"

### BOTTLER FILLER BRACKET:

If installing the bottler filler in new construction, use Model 6700 Mounting Plate. Follow the installation instructions supplied with the 6700 for mounting dimensions. Reference Page 5-7 of this document for 1920FR button height when mounted over different Haws drinking fountains. (Note: Mounting Hardware is only supplied with the 6700 Series Mounting Plates and not the Bottle Filler Water Dispensers).

If installing as a retrofit in old construction, it is recommended to use Model 6700 Mounting Plate behind the finished wall. If that is not possible, it is recommended to install wood stud cross-braces behind the wall and mount the 1920FR directly to the wood support. If that is not possible, Model 6700R Retrofit Plate may be used. Follow the installation instructions supplied with the 6700R. (Note: Mounting Hardware is only supplied with the 6700 Series Mounting Plates and not the Bottle Filler Water Dispensers).

If installing as a stand-alone bottle filler, use the mounting hole location diagram on Page 5 and bolt the 1920FR securely to the wall. (Note: Mounting Hardware is not supplied with the Bottle Filler Water Dispensers).

## WATER LINE:

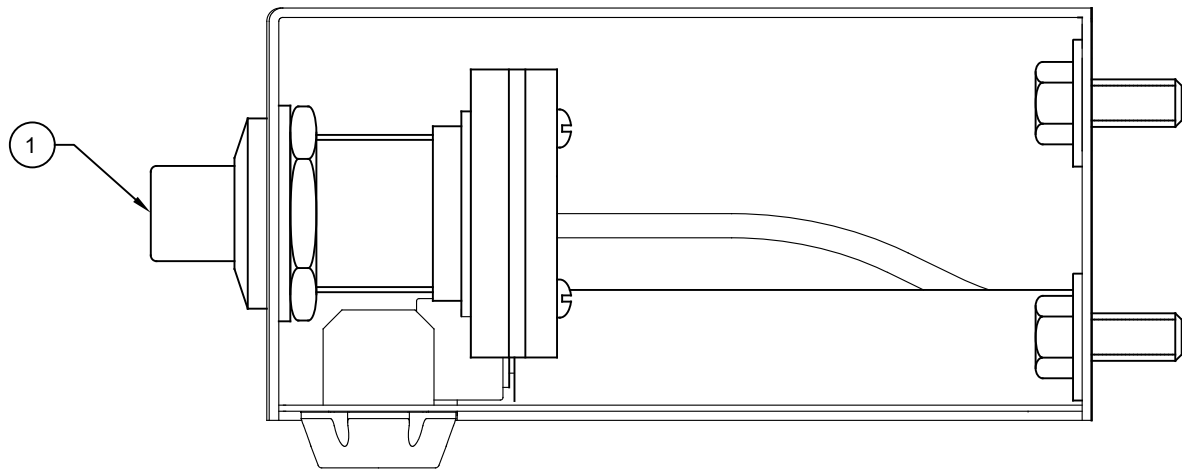
Refer to 6521FR Manual for water line connection instructions. Refer to 6518FR Manual for water line connection instruction in pedestal installation. **NOTE: The 1920FR is shipped with laminar flow screens in the dispensing nozzle. In cold temperatures remove laminar screens to prevent water from freezing and clogging the supply line.**

<b>TROUBLESHOOTING 1920FR</b>	
<b>PROBLEM</b>	<b>REPAIR CHECKLIST</b>
Insufficient bubbler flow.	<ol style="list-style-type: none"><li>1a. Check that inlet screwdriver stop valve is wide open (customer supplied). Turn counterclockwise.</li><li>b. Verify minimum 30 psi flowing supply pressure.</li><li>c. Adjust valve to increase flow. See 6518FR/ 6521FR Valve Manual.</li><li>d. Clean screens (inside nozzle body). Unscrew nozzle insert and very gently activate water supply to pop out qty. 3 screens (be careful not to lose screens). Remove any debris clogging the screen openings and place back into nozzle body. Reassemble nozzle insert.</li></ol>

For more information about Haws products, see our website: [www.hawsc.com](http://www.hawsc.com)

THIS DOCUMENT IS TRUE AND CORRECT AT TIME OF PUBLICATION. CONTINUED PRODUCT IMPROVEMENTS MAKE SPECIFICATIONS AND MEASUREMENTS SUBJECT TO CHANGE WITHOUT NOTICE.

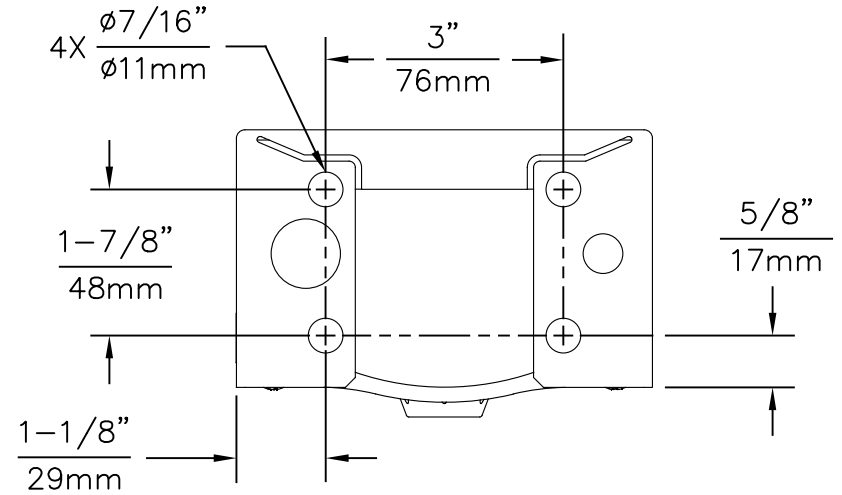
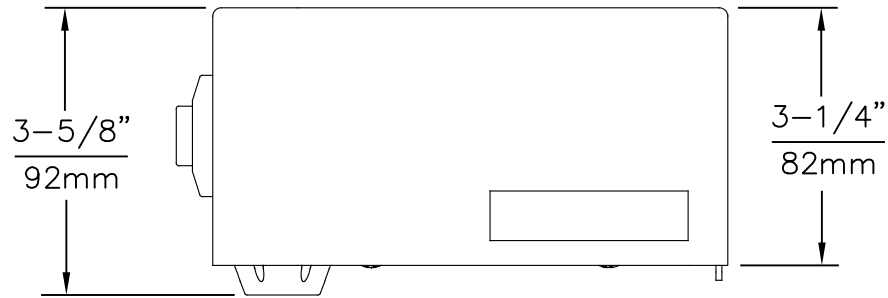
ITEM	DESCRIPTION	PART NO.
1	PUSH BUTTON ASSEMBLY	5881PBA



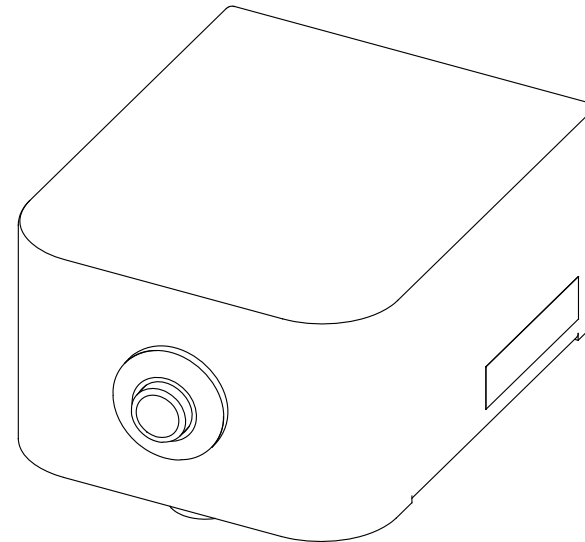
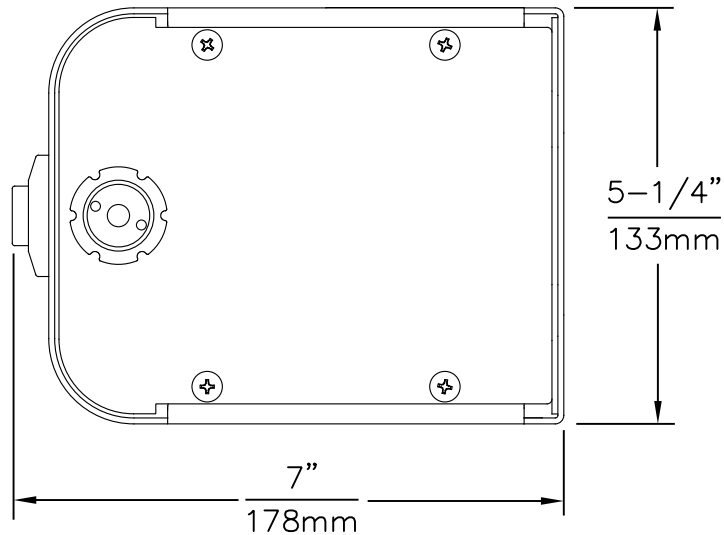
# PARTS BREAKDOWN

WHEN ORDERING PARTS PLEASE SPECIFY MODEL NUMBER.

 <b>Haws</b> <sup>®</sup>		1455 KLEPPE LANE SPARKS, NEVADA 89431 (775) 359-4712 FAX (775) 359-7424 E-MAIL: HAWS@HAWSCO.COM WEBSITE: WWW.HAWSCO.COM	
		ECN NO. 5081 DRAWN MJ APPROVED FV	REVISED PER ECN: 5799 DATE 06/08/16 DATE 07/08/22
			PART NUMBER 0510000491 REVISION 6
		SCALE: 1:14	DRAWING TYPE: PARTS BREAKDOWN
		SIZE: A	SHEET 1 OF 1



1920FR MOUNTING HOLE LOCATIONS



NOTES:

- 1 THIS BOTTLE FILLER REQUIRES THE USE OF MODEL 6521FR FREEZE RESISTANT VALVE ASSEMBLY (SOLD SEPERATELY OR AS PART OF PRODUCT BUNDLES).
- 2 VALVE ASSEMBLY MUST BE INSTALLED IN A WARM AREA. PROVISIONS SHOULD BE MADE TO ALLOW ACCESS TO THE ACCESS PANEL.
3. SEE SEPERATE INSTALLATION DRAWINGS FOR FOUNTAINS, MOUNTING PLATES, BACKPANELS, AND DRIP TRAY. HOLD ROUGH-IN DIMENSIONS  $\pm 1/8"$  (3.2mm).
4. WHEN INSTALLING THIS UNIT, LOCAL, STATE OR FEDERAL CODES SHOULD BE ADHERED TO. FOR INSTALLATION HEIGHTS OTHER THAN SHOWN, DIMENSIONS MARKED (\*) MUST BE ADJUSTED ACCORDINGLY.

		1455 KLEPPE LANE SPARKS, NEVADA 89431 (775) 359-4712 FAX (775) 359-7424 E-MAIL: HAWS@HAWS.CO.COM WEBSITE: WWW.HAWS.CO.COM	
		ECN NO. 5081 DRAWN: DS APPROVED: FV	REVISED PER: FV ECN: 5799 DATE: 05/25/16 DATE: 07/08/22
SCALE: N/A		DRAWING TYPE: INSTALLATION	SIZE: A SHEET 1 OF 3

NOTES:  
SEE SHEET 1

3/8" OD POLYPROPYLENE TUBING  
(CONNECT TO NOZZLE WITH  
SUPPLIED PUSH-IN ELBOW,  
TRIM TO FIT.)

7/8" OD INSULATING TUBING (MUST COVER  
ENTIRE SUPPLY TUBING, FROM THE  
NOZZLE TO MODEL 6521FR ASSEMBLY)  
TRIM TO FIT.

CONNECT AIR LINE TO BOTTLE  
FILLER PUSH BUTTTON, TRIM TO FIT.

1/2" IPS SUPPLY  
(NOT SUPPLIED)

1-1/4" IPS  
WASTE (NOT  
SUPPLIED)

6700 MOUNTING PLATE  
(BEHIND FINISH WALL)  
- OR -  
6700R RETROFIT PLATE  
(ON TOP OF FINISH WALL)  
BOTH SOLD SEPARATELY

BP15  
BACK PANEL  
(NOT SUPPLIED)

6469  
DRIP  
TRAY  
(NOT  
SUPPLIED)

(47-5/8")  
(1210mm)  
BUTTON  
HEIGHT  
FOR ADA  
COMPLIANCE

BP3  
BACK PANEL  
(NOT  
SUPPLIED)

27"  
686mm

1920FR  
DRINKING  
FOUNTAIN  
SHOWN FOR  
REF. ONLY  
(NOT SUPPLIED)

6521FR FREEZE RESISTANT  
VALVE ASSEMBLY  
( NOT SUPPLIED)  
FOR DRINKING FOUNTAIN

(7")  
(178mm) (4")  
(102mm) DEPTH  
OF BOX

6521FR FREEZE RESISTANT  
VALVE ASSEMBLY  
(NOT SUPPLIED) 1 2  
FOR BOTTLE FILLER

6521 VALVE ASSEMBLY  
ACCESS PANEL 2

34-1/2"  
876mm

17-1/4"  
438mm

37-1/2"  
952mm

39-1/2"  
1003mm

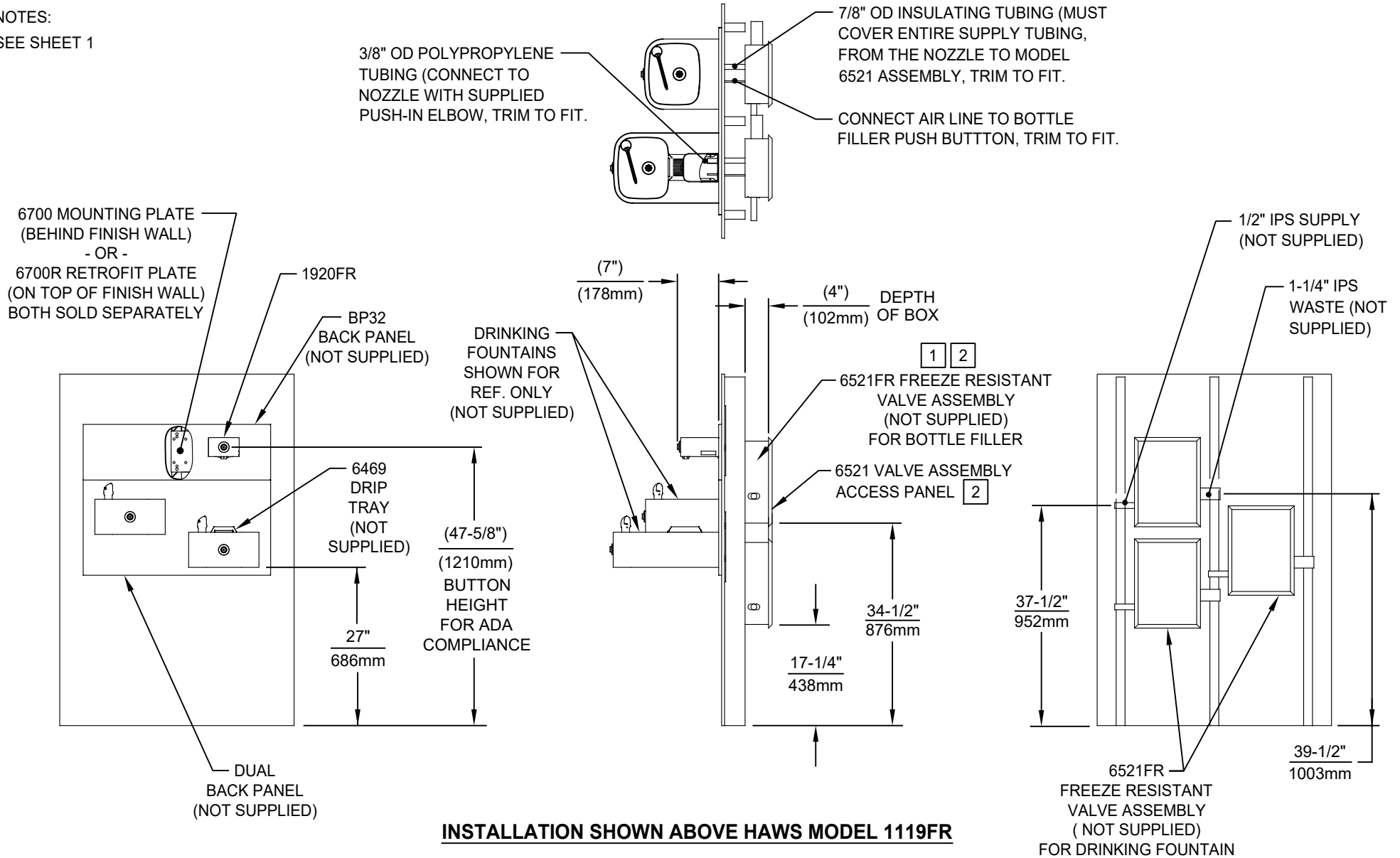
**INSTALLATION SHOWN ABOVE HAWS MODEL 1109FR**



1455 KLEPPE LANE  
SPARKS, NEVADA 89431  
(775) 359-4712 FAX (775) 359-7424  
E-MAIL: HAWS@HAWSCO.COM  
WEBSITE: WWW.HAWSCO.COM

ECN NO: 5081	REVISED PER: ECN: 5799	BY: FV	MODEL(S)	PART NUMBER
DRAWN: MJ	DATE: 02/13/17	CHKD: JS	1920FR	0510000491.D
APPROVED: FV	DATE: 07/08/22	SCALE: N/A	DRAWING TYPE: INSTALLATION	REVISION 6
			SIZE: A	SHEET 2 OF 3

NOTES:  
SEE SHEET 1





1455 KLEPPE LANE  
SPARKS, NEVADA 89431  
(775) 359-4712 FAX (775) 359-7424  
E-MAIL: HAWS@HAWS.CO.COM  
WEBSITE: WWW.HAWS.CO.COM

ECN NO: 5081	REVISED PER: ECN: 5799	BY: FV	MODEL(S)  1920FR	PART NUMBER 051000491.D
DRAWN: MJ	DATE: 02/13/17	CHK'D: JS		REVISION 6
APPROVED: FV	DATE: 07/08/22	SCALE: N/A	DRAWING TYPE: INSTALLATION	SHEET 3 OF 3