



model 1119-1920

ADA Dual Wall Mount Drinking Fountain and Bottle Filler

FEATURES & BENEFITS

CONSTRUCTION

Rugged ADA accessible 18 gauge Type 304 stainless steel bowls and 14 gauge Type 304 Stainless Steel bottle filler. Unit features stainless steel satin finish back panels, vandal-resistant bottom plate, and 1-1/4" integrated trap.

BOTTLE FILLER

Vandal-resistant, 14-gauge Type 304 stainless steel bottle filler housing with push button operation and 1 gpm (3.78 L) laminar flow.

PUSH BUTTON VALVES

The push-button activated valves have all stainless steel bodies, with chrome plated brass push button assemblies which allow for front access to water stream adjustment, water control cartridge, and water supply strainer replacement without having to go through the bottom plate. Operating pressure range of 30 to 90 psi (2.1 to 6.2 bar).

BUBBLER HEAD

Polished chrome-plated brass bubbler heads with integral laminar flow prevents splashing while providing a superior flow pattern. The integral 11/16" dia. basin shank and stainless anti-rotation roll pin for vandal resistance strength. Shielded, angled stream opening provides a steady source of drinking water at .45 gpm.

INTEGRATED TRAP

All-cast adjustable brass 1-1/4" NPT trap is internally mounted completely concealed within the fountain's bottom plate for easy installation and access.

QUALITY CONTROL

Both fountains and bottle filler are pre-built and fully water and pressure tested to ensure proper functionality.



REQUIRED MODELS

1119 / 6469 / 1920 / BP32

Order these items to make up the Model 1119-1920 fountain and bottle filler with stainless steel back panel shown above.

SPECIFICATIONS

Model 1119-1920 Hi-Lo wall mounted ADA drinking fountain and bottle filler shall include dual 18 gauge Type 304 Stainless Steel satin finish basins, 14 gauge bottle filler bracket, push-button operated stainless steel valves with front-accessible cartridge and flow adjustment, 100% lead-free waterways, polished chrome-plated brass vandal-resistant bubbler heads with integral laminar anti-squirt flow, 1 gpm (3.78 L) laminar flow bottle filler, polished chrome-plated brass vandal-resistant waste strainers, vandal-resistant bottom plates, stainless steel satin finish back panels, high and low fountain mounting levels, and 1-1/4" NPT traps. CSA certified, ANSI/NSF 61, Section 9 lead free, and ADA accessible

OPTIONS

Mounting Plate: Model 6700, in-wall mounting plate for model 1920.

Mounting Plate: Model 6700R, on-wall mounting plate for model 1920.

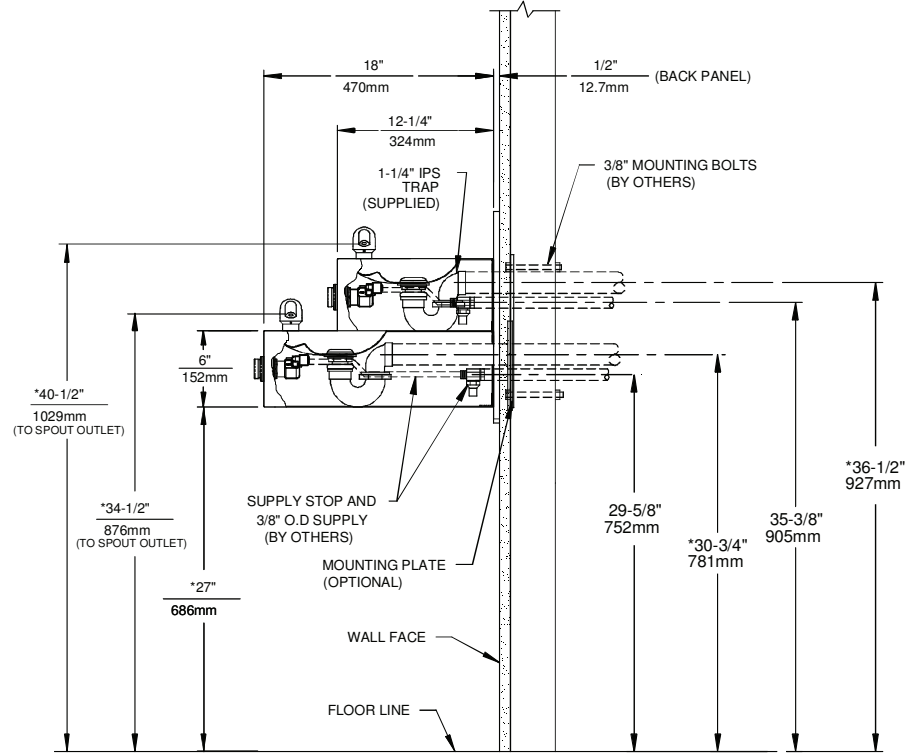
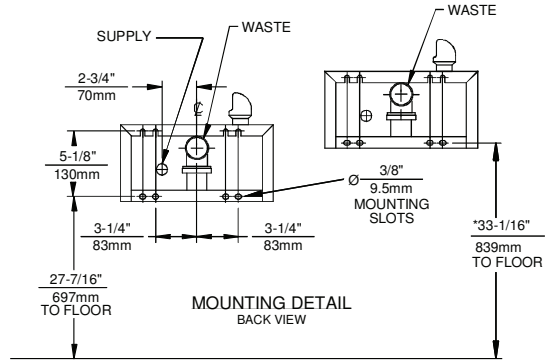
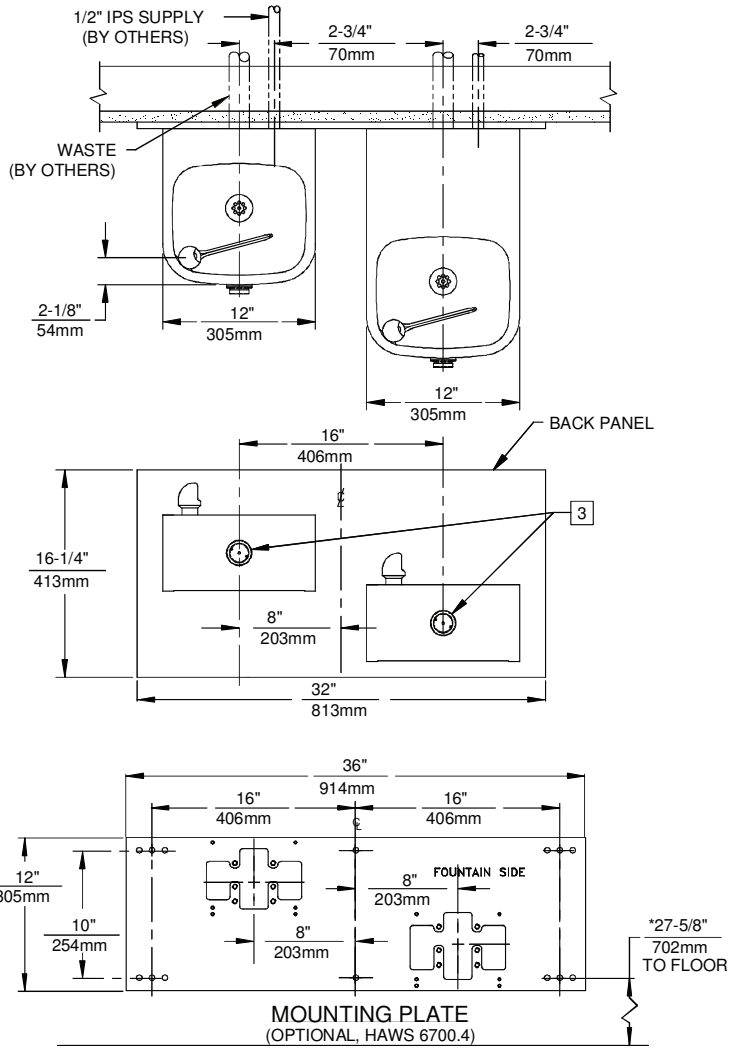
Mounting Plate: Model 6700.4, in-wall mounting plate for model 1119 fountain.

Support Frame: Model 6800 universal in-wall mounting support for use with most fountains.

For more information, visit www.hawsco.com or call (888) 640-4297.



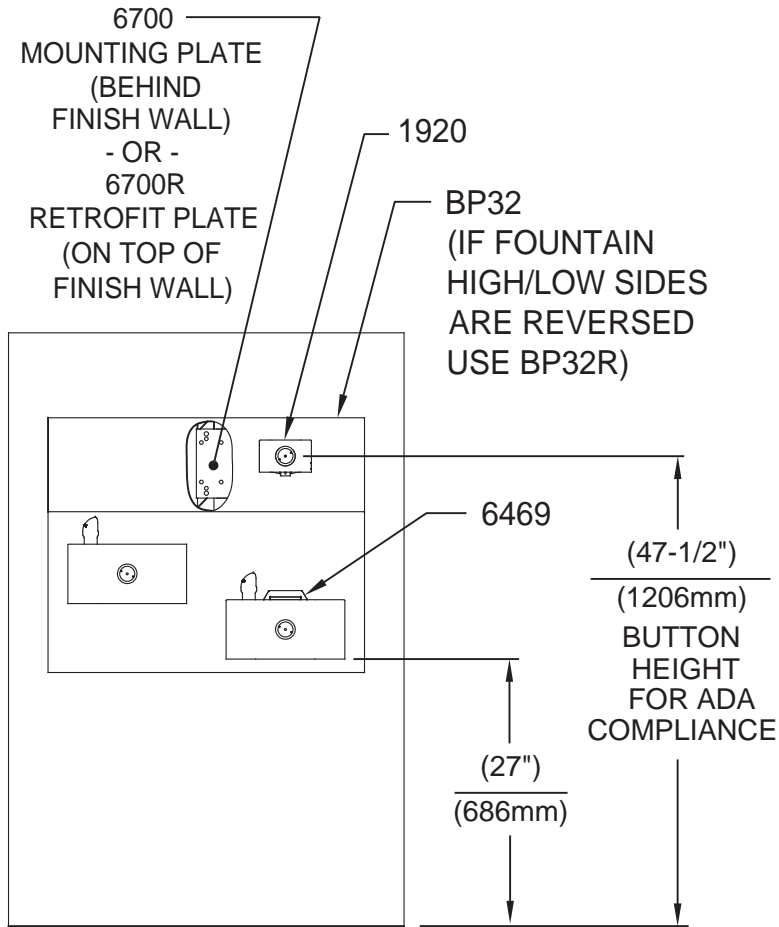
THIS DOCUMENT IS TRUE AND CORRECT AT TIME OF PUBLICATION. CONTINUED PRODUCT IMPROVEMENTS MAKE SPECIFICATIONS AND MEASUREMENTS SUBJECT TO CHANGE WITHOUT NOTICE.



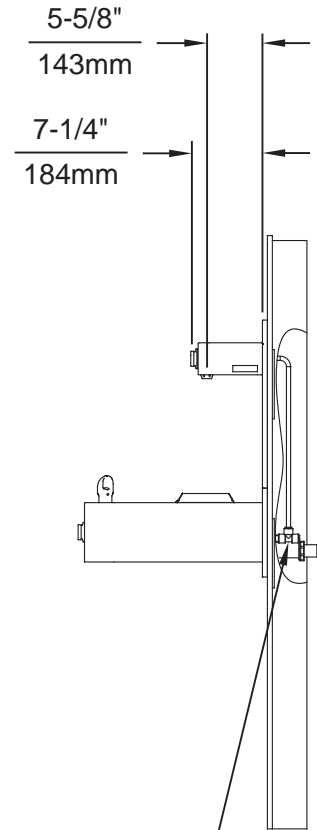
NOTES:

1. HOLD ROUGH-IN DIMENSIONS ± 1/4" (6.4mm).
2. WHEN INSTALLING THIS UNIT, LOCAL, STATE, OR FEDERAL CODES SHOULD BE ADHERED TO. FOR INSTALLATION HEIGHTS OTHER THAN SHOWN, DIMENSIONS MARKED (*) MUST BE ADJUSTED ACCORDINGLY.
- 3 REFER TO 5874SS/VRK5874 OPERATION AND MAINTENANCE MANUAL FOR PUSH BUTTON AND VALVE INSTALLATION/MAINTENANCE INSTRUCTONS.

		1455 KLEPPE LANE SPARKS, NEVADA 89431 (775) 359-4712 FAX (775) 359-7424 E-MAIL: HAWS@HAWS.CO.COM WEBSITE: WWW.HAWS.CO.COM	
		ECN NO. REVISED PER: ECN: 4797 HM DRAWN: F. VASQUEZ 04/15/98 APPROVED: DATE:	MODEL(S) 1119
SCALE: 1:13		DRAWING TYPE: INSTALLATION	
SIZE: A		SHEET 1 OF 1	



INSTALLATION ABOVE HAWS 1119, 1119.14, H1119.8

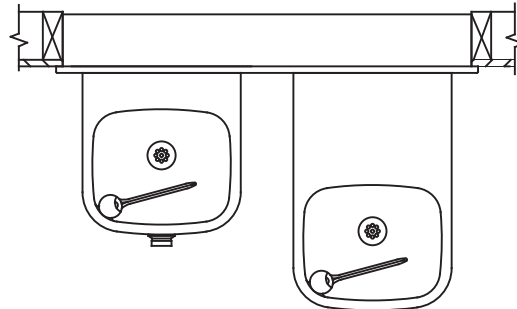


3/8" O.D. SUPPLY TUBING AND 3/8" O.D. PUSH-IN TEE SUPPLIED. (CONNECT TO FOUNTAIN SUPPLY LINE)

* IF YOUR FOUNTAIN IS THIS STYLE USE THESE DIMENSIONS

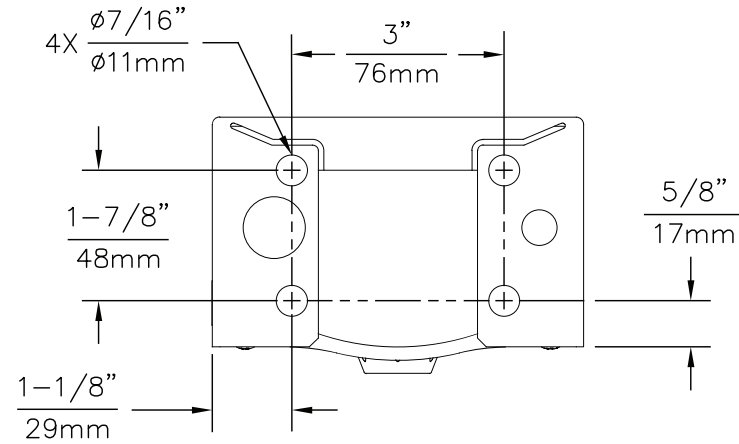
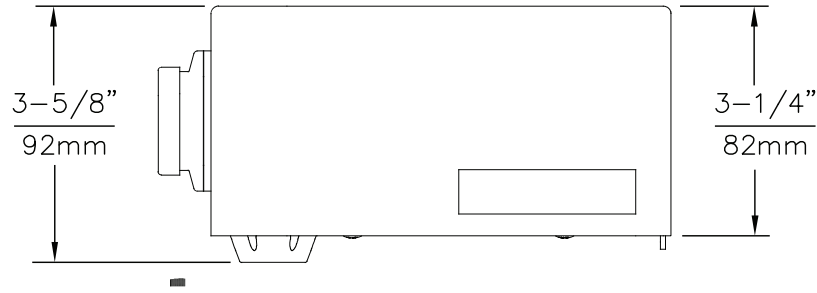
1. SEE SEPARATE INSTALLATION DRAWINGS FOR MOUNTING PLATES, BACKPANELS & DRIP TRAY

2. WHEN INSTALLING THIS UNIT, LOCAL, STATE OR FEDERAL CODES SHOULD BE ADHERED TO FOR INSTALLATION LOCATIONS, WASTE & SUPPLY REQUIREMENTS OTHER THAN SHOWN.

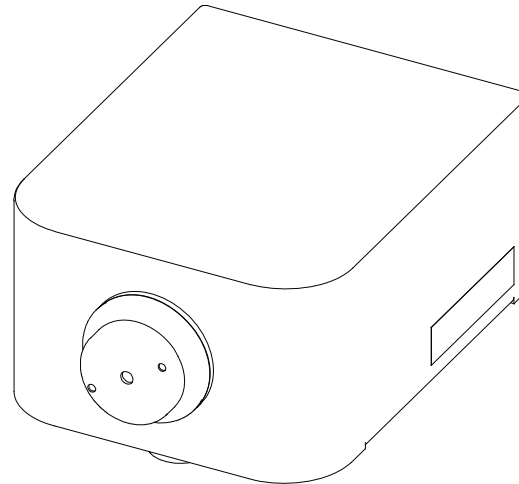
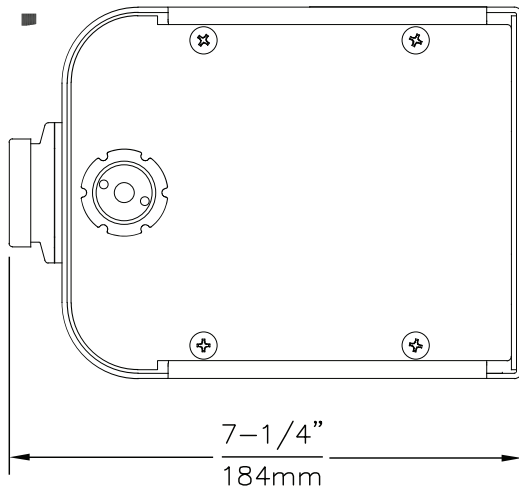


		1455 KLEPPE LANE SPARKS, NEVADA 89431 (775) 359-4712 FAX (775) 359-7424 E-MAIL: HAWS@HAWS.CO.COM WEBSITE: WWW.HAWS.CO.COM	
ECN NO. 5081	REVISED PER ECN: 5550	BY: FV	MODEL(S) 1920/1920HPS
DRAWN: MJ	DATE: 01/30/17	CHKD.: DP	PART NUMBER 051000490.D
APPROVED: FV	DATE: 05/14/20	SCALE: N/A	REVISION 6
DRAWING TYPE: INSTALLATION		SIZE: A	SHEET 3 OF 6

THIS DOCUMENT IS TRUE AND CORRECT AT TIME OF PUBLICATION. CONTINUED PRODUCT IMPROVEMENTS MAKE SPECIFICATIONS AND MEASUREMENTS SUBJECT TO CHANGE WITHOUT NOTICE.




1920 MOUNTING HOLE LOCATIONS



NOTES:

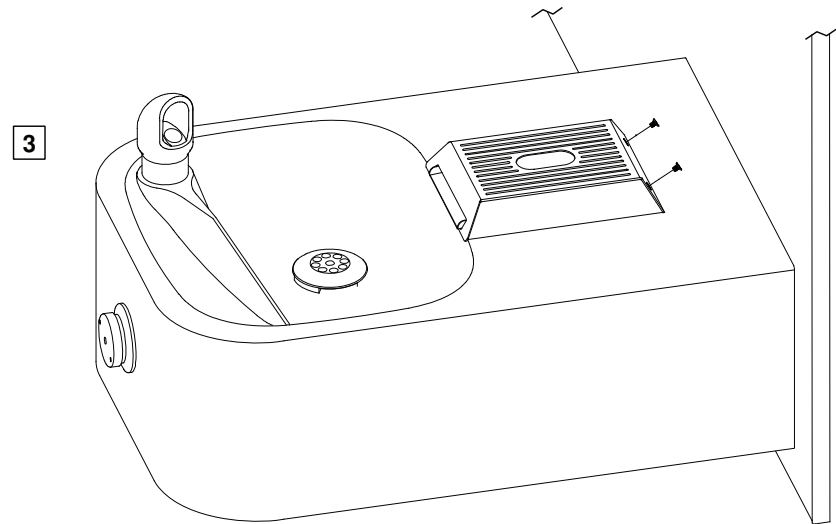
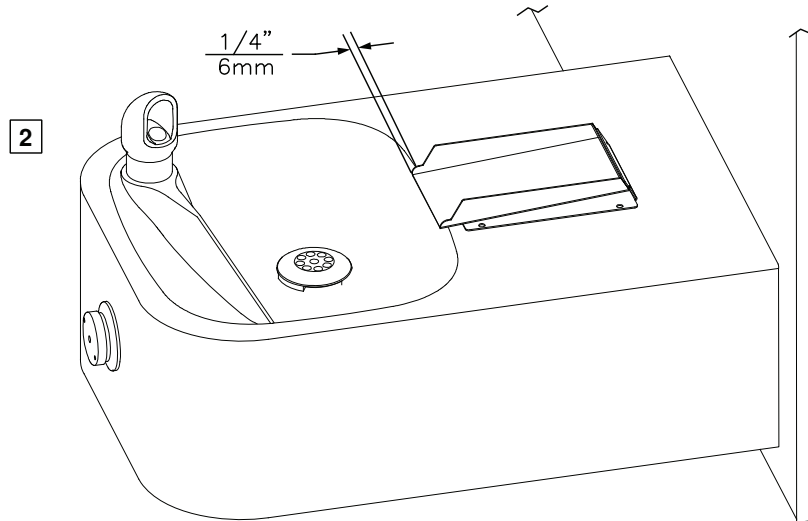
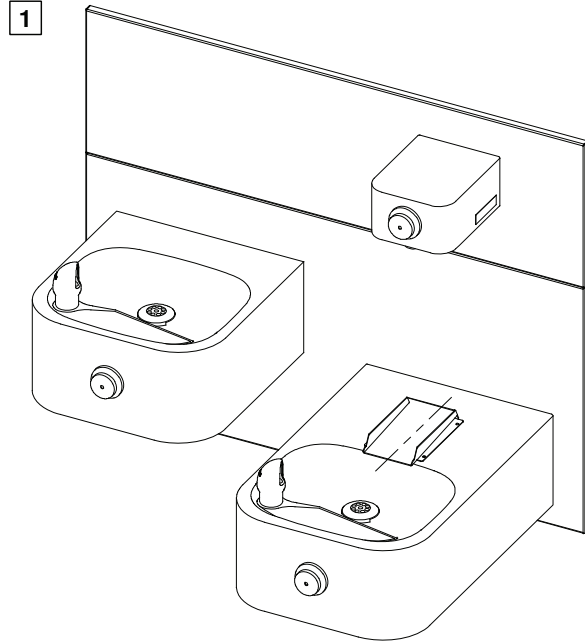
1. SEE SEPERATE INSTALLATION DRAWINGS FOR MOUNTING PLATES AND BACKPANELS
2. WHEN INSTALLING THIS UNIT, LOCAL, STATE OR FEDERAL CODES SHOULD BE ADHERED TO FOR INSTALLATION LOCATIONS, WASTE & SUPPLY REQUIREMENTS OTHER THAN SHOWN.

		1455 KLEPPE LANE SPARKS, NEVADA 89431 (775) 359-4712 FAX (775) 359-7424 E-MAIL: HAWS@HAWS.CO.COM WEBSITE: WWW.HAWS.CO.COM	
		ECN NO. 5081 DRAWN: DS APPROVED: FV	REVISED PER: MJ ECN: 5172 DATE: 05/25/16 DATE: 02/27/17
SCALE: N/A		DRAWING TYPE: INSTALLATION	
SIZE: A		SHEET 1 OF 5	

THIS DOCUMENT IS TRUE AND CORRECT AT TIME OF PUBLICATION. CONTINUED PRODUCT IMPROVEMENTS MAKE SPECIFICATIONS AND MEASUREMENTS SUBJECT TO CHANGE WITHOUT NOTICE.

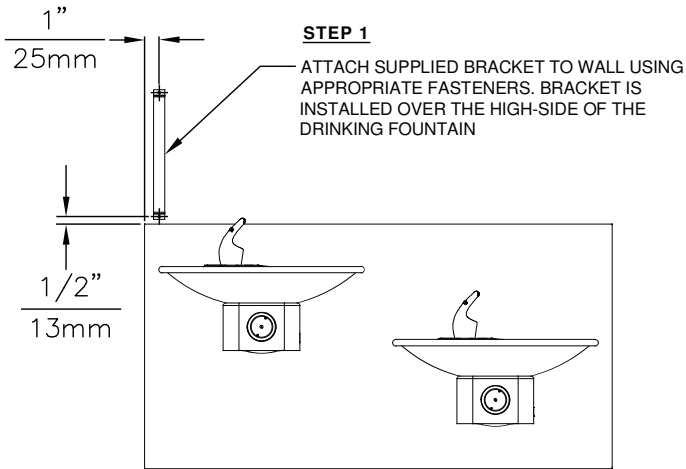
6469 BOTTLE FILLER DRIP TRAY INSTALLATION

1. THE 6469 BOTTLE FILLER DRIP TRAY ALLOWS THE INSTALLATION OF THE 1920 BOTTLE FILLER OVER HAWS 1109/1119 MODEL DRINKING FOUNTAINS. CENTER THE LOWER DRAIN PAN ALONG THE CENTERLINE OF THE FOUNTAIN.
2. EXTEND THE FRONT EDGE OF THE LOWER DRAIN PAN OVER THE EDGE OF THE FOUNTAIN BOWL BY APPROXIMATELY 1/4" (6mm). IT IS RECOMMENDED TO TEMPORARILY TAPE THE DRAIN PAN IN PLACE, INSTALL THE TOP COVER, AND ACTIVATE THE BOTTLE FILLER TO VERIFY THE WATER STREAM IS ALIGNED TO THE INLET HOLE. VERIFY THE LIP OF THE TOP COVER HANGS OVER THE EDGE OF THE FOUNTAIN BOWL.
3. MARK THE DRAIN PAN HOLE LOACTIONS ON THE FOUNTAIN. THE DRAIN PAN CAN NOW BE PERMANENTLY INSTALLED USING AN APPROPRIATE FASTENING METHOD (FASTENERS NOT SUPPLIED). FASTENING OPTIONS INCLUDE THRU BOLTS, RIVETS, TACK WELDS, AND DOUBLE-SIDED FOAM TAPE. INSTALL THE TOP COVER AND SECURE TO THE DRAIN PAN WITH THE SUPPLIED 4-40 FLATHEAD SCREWS.

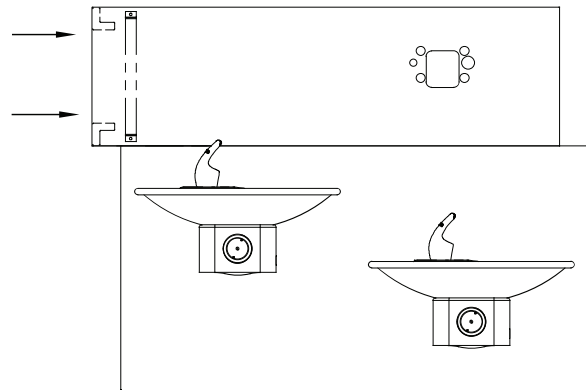


		Haws [®]		1455 KLEPPE LANE SPARKS, NEVADA 89431 (775) 359-4712 FAX (775) 359-7424 E-MAIL: HAWS@HAWS.CO.COM WEBSITE: WWW.HAWS.CO.COM	
				ECN NO. 5150 DRAWN: MJ APPROVED: FV	REVISION PER BY: ECN: 5150 MJ DATE: 01/10/17 DATE: 01/16/17
SCALE: 1:4		DRAWING TYPE: INSTALLATION		SIZE: A SHEET 1 OF 1	

THIS DOCUMENT IS TRUE AND CORRECT AT TIME OF PUBLICATION. CONTINUED PRODUCT IMPROVEMENTS MAKE SPECIFICATIONS AND MEASUREMENTS SUBJECT TO CHANGE WITHOUT NOTICE.

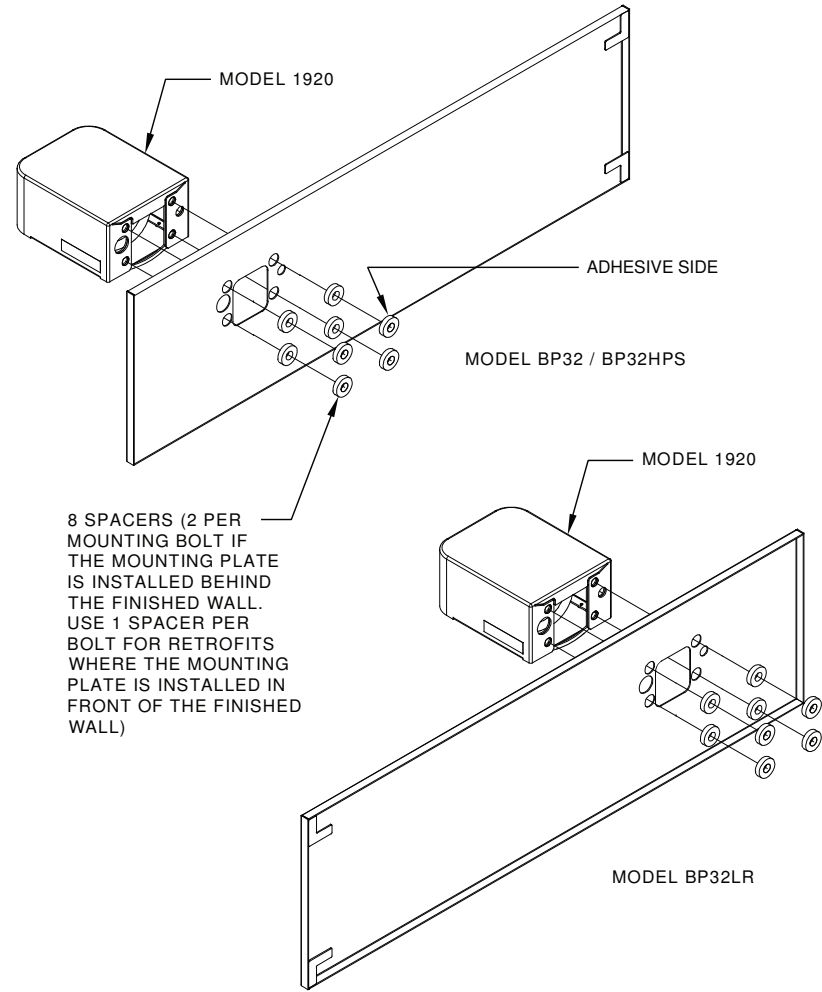


STEP 2
PLACE THE BACKPLATE AGAINST THE WALL AND SLIDE SIDEWAYS SO THE TABS CATCH UNDER THE BRACKET



STEP 3
INSTALL THE BOTTLE FILLER PER THE INSTRUCTIONS SUPPLIED WITH THE UNIT

NOTES:
1. WHEN INSTALLING THIS UNIT, LOCAL, STATE OR FEDERAL CODES SHOULD BE ADHERED TO.



INSTALLATION OVER DOUBLE FOUNTAIN
SHOWN FROM REAR

		1455 KLEPPE LANE SPARKS, NEVADA 89431 (775) 359-4712 FAX (775) 359-7424 E-MAIL: HAWS@HAWSO.COM WEBSITE: WWW.HAWSO.COM	
		MODEL(S) DRAWING, BACK PANEL SPACER INST, BF	PART NUMBER 051000493.D REVISION 2
ECN NO. 5081 DRAWN: MJ APPROVED: FV	REVISED PER: MJ ECN: 5172 DATE: 02/02/17 DATE: 02/27/17	CHKD: FV	SCALE: 1:1 DRAWING TYPE: INSTALLATION