



INSTALLATION, OPERATION & MAINTENANCE INSTRUCTIONS

1455 Kleppe Lane ♦ Sparks, NV 89431-6467 ♦ (775) 359-4712 ♦ Fax (775) 359-7424
E-mail: Info@hawsco.com ♦ website: www.hawsco.com

No. 0002080223 (16)

Model 1117L Drinking Fountain

NOTE TO INSTALLER: Please leave this information with the Maintenance Department.

LIMITED WARRANTY

HAWS warrants that this specific product is guaranteed against defective material or poor workmanship for a period of **one year from date of shipment**. HAWS liability under this warranty shall be discharged by furnishing without charge F.O.B. HAWS Factory any goods, or part thereof, which shall appear to the Company upon inspection to be of defective material or not of first class workmanship, provided that claim is made in writing to Haws within a reasonable period after receipt of the product. Where claims for defects are made, the defective part or parts shall be delivered to the Company, prepaid, for inspection. HAWS will not be liable for the cost of repairs, alterations or replacements, or for any expense connected therewith made by the owner or his agents, except upon written authority from HAWS, Sparks, Nevada. HAWS will not be liable for any damages caused by defective materials or poor workmanship, except for replacements, as provided above. Buyer agrees that HAWS shall not be liable for general, special, or consequential damages claimed to arise under the contract of sale. The drinking fountain manufactured by HAWS is warranted to function if installation and maintenance instructions provided are adhered to. The units also must be used for the purpose for which they were intended.

**NO OTHER WARRANTIES EXPRESSED OR IMPLIED ARE AUTHORIZED,
PROVIDED OR GIVEN BY HAWS.**

**SHOULD YOU EXPERIENCE DIFFICULTY WITH THE INSTALLATION OF THIS
MODEL PLEASE CALL:**

TECHNICAL SUPPORT: 1-800-766-5612

FOR CUSTOMER SERVICE: 1-888-640-4297

RECOMMENDED TOOLS: Hack saw, pipe joint sealant, screwdriver, level, 12" adjustable wrench, 10" pipe wrench, 5/64" hex key wrench, 9/16", 1/2", 7/16" socket wrench or open end wrench.

LOCATION OF UNIT: The Model 1117L Drinking Fountain is a wheelchair accessible drinking water facility. The height dimensions that are shown meet current ADA requirements. When installing this unit, local, state or federal codes should be adhered to. If height other than shown is required, then dimensions must be adjusted accordingly.

SUPPLY LINE: The minimum recommended line size is 1/2"IPS with 30-90 psi (2-6 ATM) flowing pressure. Where sediment or mineral content is a problem, an inlet filter is recommended.

PLUMBING CONNECTIONS: Inlet is 3/8"O.D. push-in type fitting. Waste outlet is female 1-1/4" IPS.

MAINTENANCE: Periodically clean the strainer. Refer to 5874 Series Valve Manual for more information.

INSTALLATION PROCEDURE

GENERAL NOTES:

1. For all plastic push-in type fitting connections, only connect NSF-61 copper or plastic tubing. Stainless steel or glass tubing is not recommended. The following assembly instructions must be followed to ensure a watertight connection:
 - a. Cut tubing square and clean.
 - b. Mark from end of tube the length of insertion (See table below).
 - c. Push tube into the fitting until it bottoms out.
 - d. To remove, depress collet and pull tubing out.

Tube Sizes	O.D. Tolerance	Insertion Depth
1/4"	±.005"	11/16"
3/8"	±.005"	3/4"
1/2"	±.005"	7/8"

TROUBLESHOOTING

PROBLEM	REPAIR CHECKLIST
1. Insufficient bubbler flow.	<ol style="list-style-type: none"> 1a. Check that inlet screwdriver stop valve is wide open. Turn counter-clockwise. b. Verify minimum 30 psi flowing supply pressure. c. Clean strainer. See 5874 Series Valve Manual d. Adjust valve to increase flow. Use front adjust screw or see 5874 Series Valve Manual.

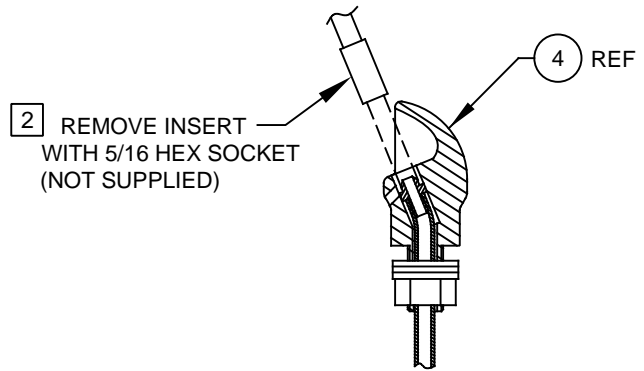
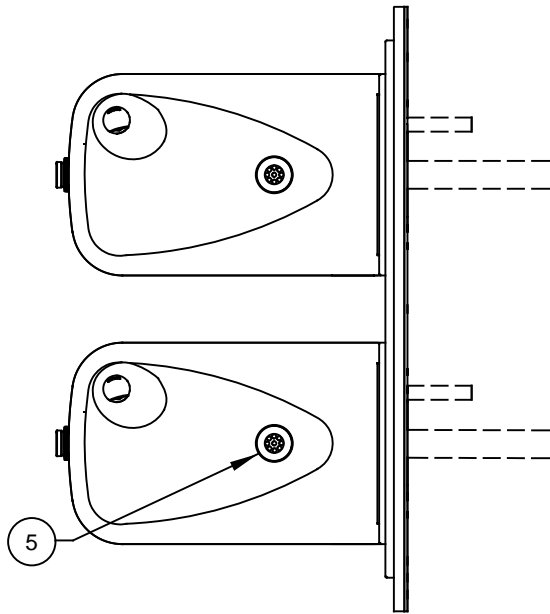
For more information about Haws products, see our website: www.hawscos.com

ITEM	DESCRIPTION	PART #
1	BUTTON, PUSH, FLANGED, PCP W/ VALVE	5874PBF
2	VALVE REPAIR KIT	VRK5874
3	PUSH BUTTON ASSY	PBA6
4	BUBBLER HEAD ASSY, PCP	5703M
5	STRAINER, WASTE ASSY	6462
6	TRAP	0005982900
** 7	MOUNTING PLATE	6717
8	BOTTOM PLATE	PBM1107

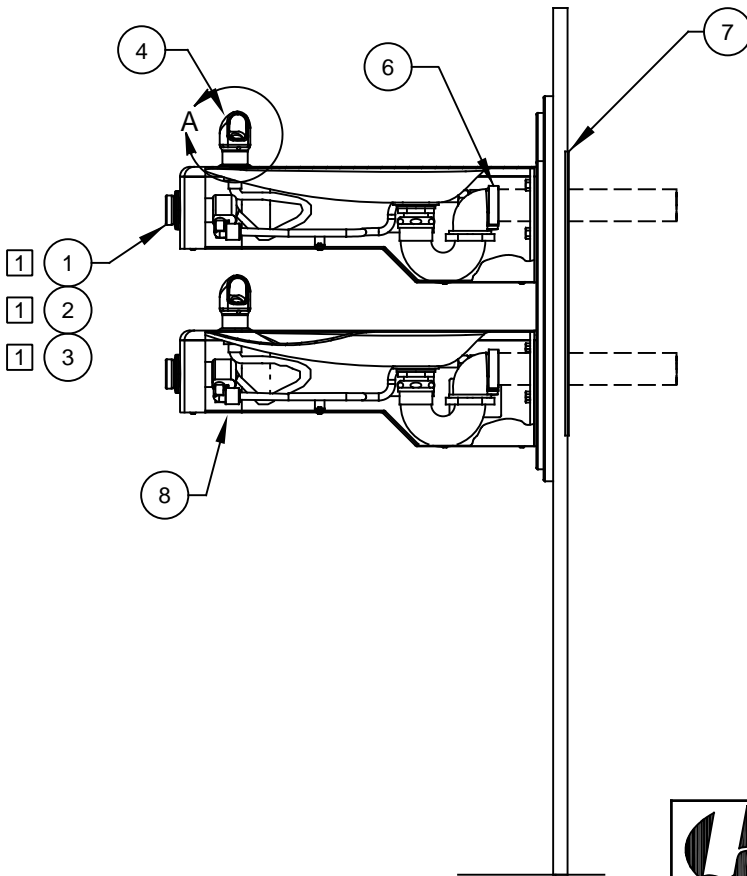
** REQUIRED - SOLD SEPARATELY

NOTES:


- 1 5874PBF (ITEM 2) INCLUDES VRK5874 CARTRIDGE ASSEMBLY (ITEM 3) AND PBA6 FLANGED PUSH BUTTON (ITEM 4).
- 2 ENSURE TUBE IS DISCONNECTED FROM PUSH BUTTON VALVE BODY PRIOR TO REMOVAL. APPLY ONE DROP OF LOCTITE 222MS TO NOZZLE THREADS PRIOR TO FASTENING BACK ONTO BUBBLER HEAD. RE-ATTACH TUBE TO VALVE.



DETAIL A
ROTATED 90° INTO VIEW



PARTS BREAKDOWN

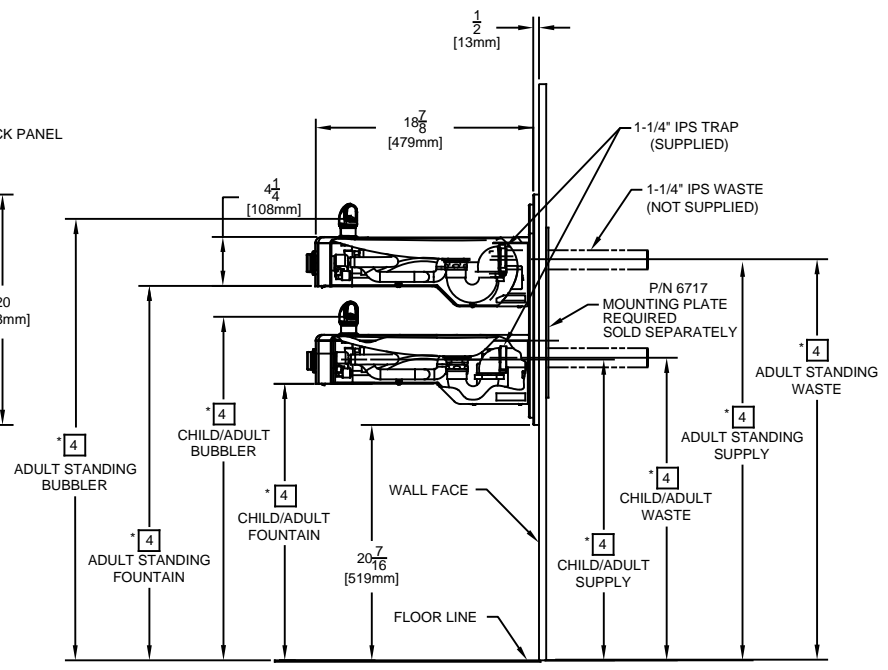
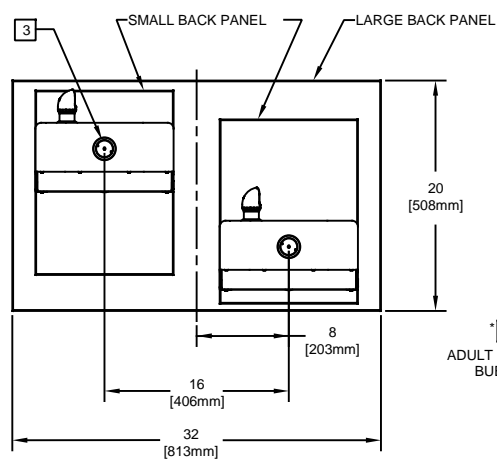
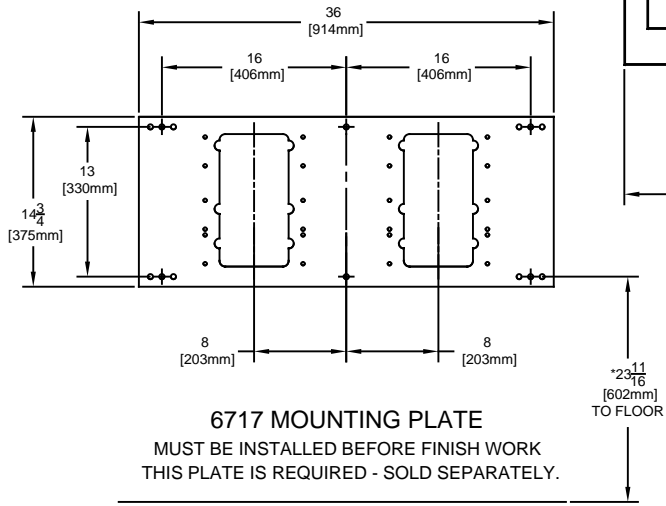
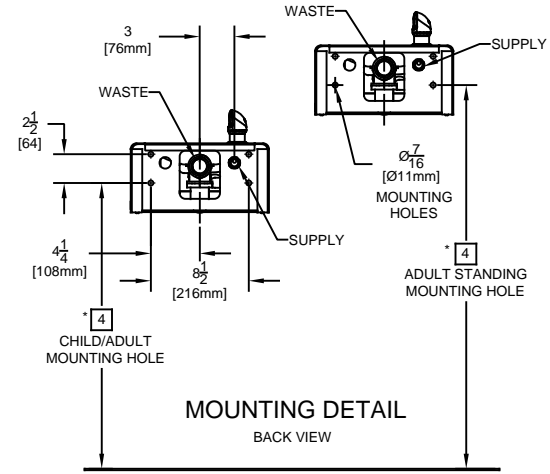
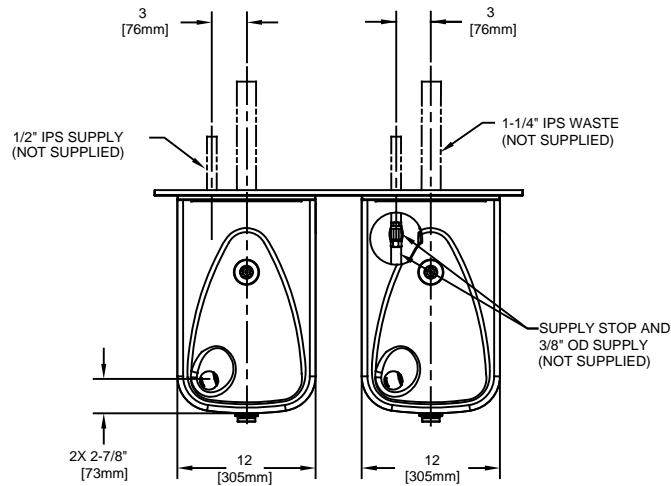
		1455 KLEPPE LANE SPARKS, NEVADA 89431 (775) 359-4712 FAX (775) 359-7424 E-MAIL: HAWS@HAWS.CO.COM WEBSITE: WWW.HAWS.CO.COM	
ECN NO.	REVISED PER	BY	MODEL(S)
	ECN: 5527	FV	1117L
DRAWN	DATE	CHKD	PART NUMBER
C.FENNER	10/28/06	DP	0002080223
APPROVED	DATE		REVISION
FV	04/02/20		16
SCALE: 1:1		DRAWING TYPE: PARTS BREAKDOWN	SIZE: A SHEET 1 OF 1


WHEN ORDERING PARTS PLEASE SPECIFY MODEL NUMBER.

NOTES:

1. HOLD ROUGH-IN DIMENSIONS $\pm \frac{1}{8}$ " (3.2MM).
2. WHEN INSTALLING THIS UNIT, LOCAL, STATE, OR FEDERAL CODES SHOULD BE ADHERED TO. FOR INSTALLATION HEIGHTS OTHER THAN SHOWN, DIMENSIONS MARKED (*) MUST BE ADJUSTED ACCORDINGLY.
3. REFER TO 5874 SERIES OPERATION AND MAINTENANCE MANUAL FOR PUSH BUTTON AND VALVE INSTALLATION/MAINTENANCE INSTRUCTIONS.
4. ROUGH IN DIMENSIONS FOR FOUNTAIN HEIGHTS:
 - CHILD WHEELCHAIR HEIGHT: SEE SHT 2 FIG 1
WASTE: 26-1/4" (667mm)
SUPPLY: 26-1/8" (664mm)
MOUNTING HOLE: 24-13/16" (630mm)
FOUNTAIN: 24" (610mm)
BUBBLER: 29-7/8" (756mm)
 - ADULT WHEELCHAIR HEIGHT: SEE SHT 2 FIG 2
WASTE: 29-1/4" (743mm)
SUPPLY: 29-1/8" (740mm)
MOUNTING HOLE: 27-13/16" (706mm)
FOUNTAIN: 27" (686mm)
BUBBLER: 32-7/8" (832mm)
 - STANDING ADULT HEIGHT: SEE SHT 2 FIG 3
WASTE: 34-3/4" (883mm)
SUPPLY: 34-5/8" (879mm)
MOUNTING HOLE: 33-5/16" (846mm)
FOUNTAIN: 32-1/5" (826mm)
BUBBLER: 38-3/8" (972mm)
5. REFER TO MODEL 1117L INSTALLATION DRAWING SHEET 2 OF 2 (ON HAWS WEBSITE WWW.HAWSCO.COM) FOR PERMISSABLE BOWL MOUNTING PATTERNS. **TWO WHEELCHAIR HEIGHT FOUNTAINS CANNOT BE MOUNTED SIDE BY SIDE PER ANSI A117.1.**

NOTES CONTINUED ON SHEET 2 OF 2



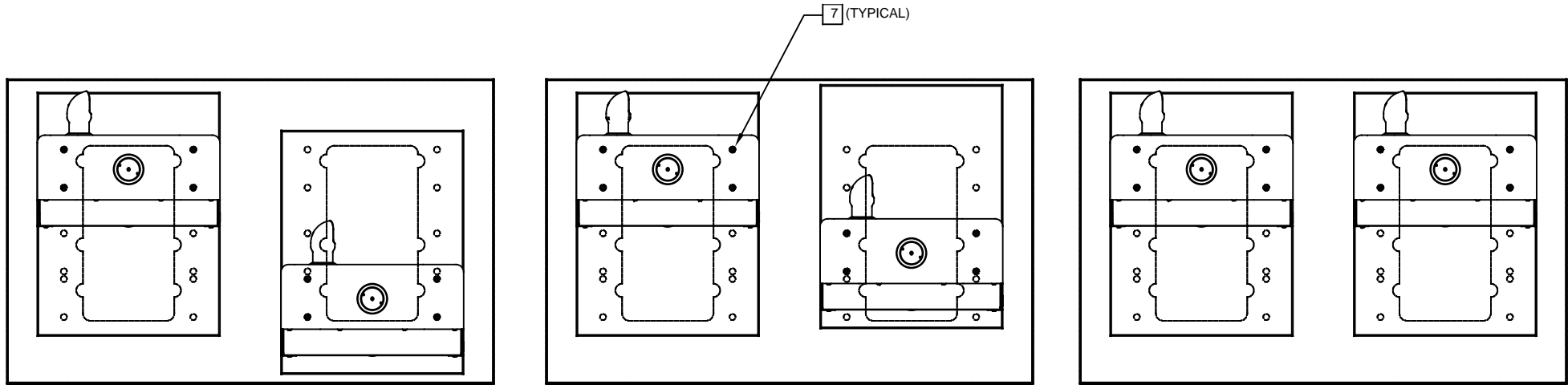


1455 KLEPPE LANE
SPARKS, NEVADA 89431
(775) 359-4712 FAX (775) 359-7424
E-MAIL: HAWS@HAWSCO.COM
WEBSITE: WWW.HAWSCO.COM

ECN NO. REVISED PER BY:	MODEL(S)	PART NUMBER	
ECN: 5527 FV	1117L	0002080223.D	
DRAWN: C.FENNER	DATE: 10/06	CHKD.: DP	REVISION
APPROVED: FV	DATE: 04/02/20	SCALE: 1:2	DRAWING TYPE: INSTALLATION
		SIZE: A	SHEET 1 OF 2

NOTES:

- 6 FIGURES 1 AND 2 ARE REVERSIBLE. CAN BE RIGHT OR LEFT SIDE HIGH.
- 7 USE SHADED HOLES TO MOUNT AT INDICATED POSITIONS BASED ON COMBINATION SELECTED (FIGS. 1 THRU 3).
- 8. REFER TO SHEET 1 OF 2 NOTE 4 FOR INSTALLED FOUNTAIN DIMENSIONS.



6

FIGURE 1.

ADULT STANDING/CHILD WHEELCHAIR

6


FIGURE 2.

ADULT STANDING/ADULT WHEELCHAIR

FIGURE 3.

ADULT STANDING/ADULT STANDING

BOWL MOUNTING PATTERNS

		Haws [®]		1455 KLEPPE LANE SPARKS, NEVADA 89431 (775) 359-4712 FAX (775) 359-7424 E-MAIL: HAWS@HAWS.CO.COM WEBSITE: WWW.HAWS.CO.COM	
				ECN NO. REVISED PER BY: MODEL(S) ECN: 5527 FV	1117L
DRAWN: C.FENNER APPROVED: FV	DATE: 12/29/06	CHKD.: DP	REVISION 16	SCALE: 1:2	DRAWING TYPE: INSTALLATION
DATE: 04/02/20		SIZE: A	SHEET 2 OF 2		