

FEATURES & BENEFITS

CONSTRUCTION

One-piece stamped basin with low-profile design made of 14-gauge Type 304 stainless steel with integral 1/4" (.6 cm) mounting plate, and vandal-resistant bottom plate. Satin finish resists stains and corrosion.

BOTTLE FILLER

Vandal-resistant, 14-gauge Type 304 stainless steel bottle filler housing with push button operation and 1 gpm (3.78 L) laminar flow.

VANDAL RESISTANT

The bubbler head, push button, drain strainer and bottom plate are locked in place, discouraging unwanted vandal tampering.

BUBBLER HEAD

Polished chrome-plated brass bubbler head with integral 11/16" dia. basin shank and stainless anti-rotation roll pin for vandal resistance strength. Shielded, angled stream opening provides a steady, sanitary source of drinking water at .45 gpm.

FOUNTAIN VALVES

The push-button activated valves have all stainless steel bodies, with chrome plated brass push button assemblies which allow for front access to water stream adjustment, water control cartridge, and water supply strainer replacement without having to go through the bottom plate. access. Operating pressure range of 30 to 90 psi (2.1 to 6.2 bar).

ACCESS

Low-profile designed bowl and integral trap allow for knee clearance for adult or child ADA access (when installed at appropriate heights).

OPTIONS

- Mounting Plate: Model 6700, in-wall mounting plate for model 1920 and/or model 1107L.
- Mounting Plate: Model 6700R, on-wall mounting plate for model 1920.
- Support Frame: Model 6800 In-wall floor mounted fixture support legs, welded steel 4-bolt floor flanges, and supplied with 'U' bolts and hardware.
- Bottle Filler Stand: Model BTL1107, add-on stainless steel stand to place bottle on when 1920 bottle filler is used.

For more information, visit www.hawsc.com or call (888) 640-4297.



REQUIRED MODELS

1107L / BP7 / 1920 / BP15

Order these items to make up the Model 1107L-1920 fountain with stainless steel back panel, bottle filler with stainless steel back plate.

SPECIFICATIONS

Model 1107L-1920 wall-mounted vandal-resistant ADA drinking fountain and bottle filler shall include a 14-gauge Type 304 Stainless Steel satin-finish basin with integral 1/4" stainless steel mounting plate, 14 gauge bottle filler bracket, vandal-resistant push button operated stainless steel valves with front accessible cartridge and flow adjustment that provide 100% lead-free waterways, polished chrome plated brass vandal-resistant bubbler head, 1 gpm (3.78 L) laminar flow bottle filler, polished chrome-plated brass vandal-resistant waste strainer, vandal-resistant bottom plates, and 1-1/4" NPT integral trap. Unit can be mounted to meet ADA or Child ADA specifications. Manufactured to be lead-free by all known definitions including NSF/ ANSI/CAN 61-Section 9, NSF/ANSI/CAN 372, California Proposition 65, and the Federal Safe Drinking Water Act. Product is compliant to California Health and Safety Code 116875 (AB 1953-2006), and NSF/ ANSI/CAN 61: Q ≤ 1.



NOTES:

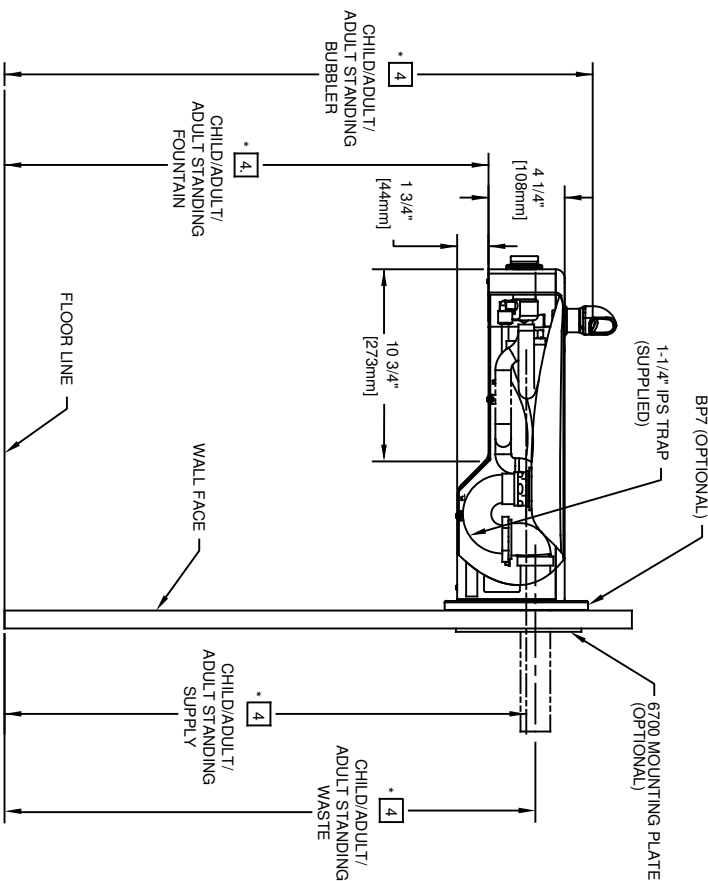
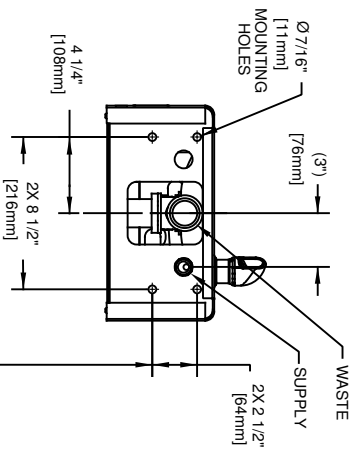
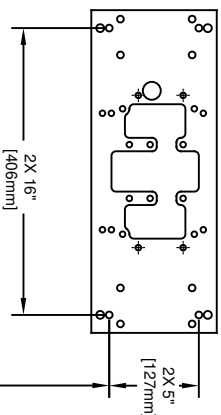
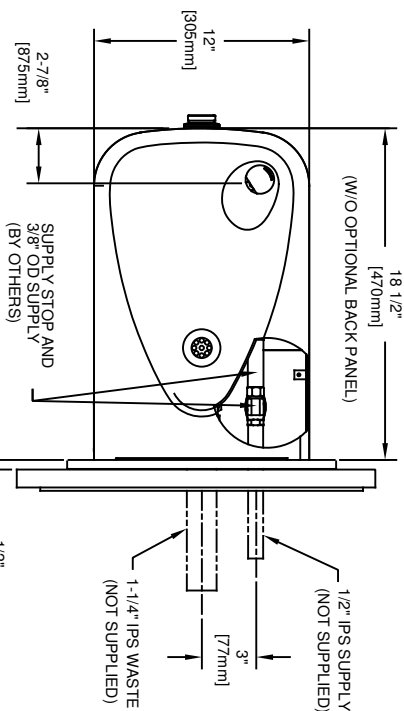
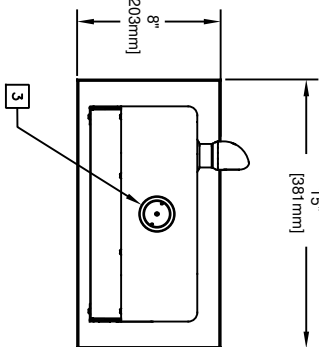
1. HOLD ROUGH-IN DIMENSIONS ± 1/4" (6.4mm)
2. WHEN INSTALLING THIS UNIT, LOCAL, STATE OR FEDERAL CODES SHOULD BE ADHERED TO. FOR INSTALLATION HEIGHTS OTHER THAN SHOWN, DIMENSIONS MARKED (*) MUST BE ADJUSTED ACCORDINGLY.
3. REFER TO 5874 SERIES OPERATION AND MAINTENANCE MANUAL FOR PUSH BUTTON AND VALVE INSTALLATION AND MAINTENANCE INSTRUCTIONS.
4. ROUGH IN DIMENSIONS FOR FOUNTAIN HEIGHTS:

CHILD WHEELCHAIR HEIGHT: SEE SHT 2 FIG 1
 WASTE: 26-1/4" (667mm)
 SUPPLY: 26-1/8" (664mm)
 MOUNTING HOLE: 24-13/16" (630mm)
 MOUNTING PLATE: 23-3/16" (589mm)
 FOUNTAIN: 24" (610mm)
 BUBBLER: 29-7/8" (756mm)

ADULT WHEELCHAIR HEIGHT: SEE SHT 2 FIG 2
 WASTE: 29-1/4" (743mm)
 SUPPLY: 29-1/8" (740mm)
 MOUNTING HOLE: 27-13/16" (706mm)
 MOUNTING PLATE: 26-3/16" (665mm)
 FOUNTAIN: 27" (686mm)
 BUBBLER: 32-7/8" (832mm)

STANDING ADULT HEIGHT: SEE SHT 2 FIG 3

WASTE: 34-3/4" (883mm)
 SUPPLY: 34-5/8" (879mm)
 MOUNTING HOLE: 33-5/16" (846mm)
 MOUNTING PLATE: 31-11/16" (805mm)
 FOUNTAIN: 32-1/5" (826mm)
 BUBBLER: 38-3/8" (972mm)



MOUNTING DETAIL

BACK VIEW

MOUNTING PLATE
(OPTIONAL, HAWS 6700)

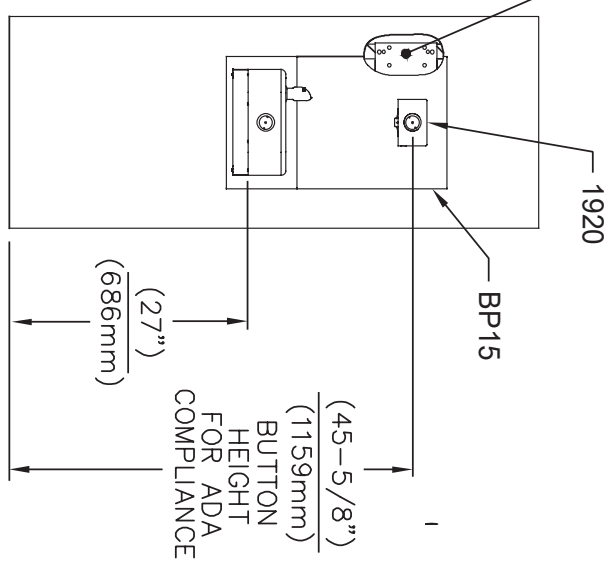
HAWS

1456 KLEPPE LANE
 SPARKS, NEVADA, 89431
 (775) 359-4712 FAX (775) 359-7424
 E-MAIL: HAWS@HAWS.CO.COM
 WEBSITE: WWW.HAWS.CO.COM

ECN NO. REVISED PER BY: MODEL(S)
 ECN: 5215 JP
 DATE: CHKD: 1107L
 DRAWN: DATE: 10/25/06 GC
 C/FENNER: DATE: 11/22/17 SCALE: 1:1 DRAWING TYPE: INSTALLATION
 APPROVED: EV PART NUMBER: 0002080232.D
 REVISION: 15

THIS DOCUMENT IS TRUE AND CORRECT AT TIME OF PUBLICATION. CONTINUED PRODUCT IMPROVEMENTS MAKE SPECIFICATIONS AND MEASUREMENTS SUBJECT TO CHANGE WITHOUT NOTICE.

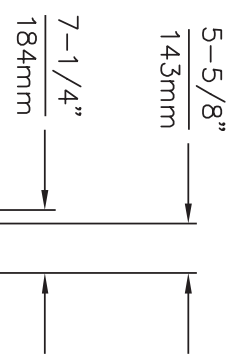
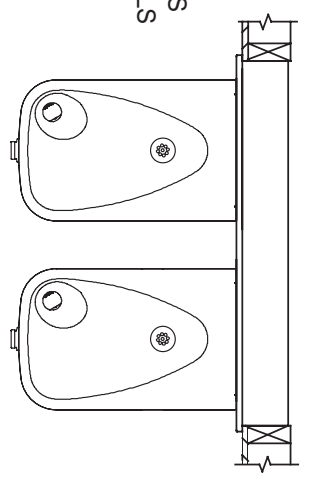
6700 MOUNTING PLATE
(BEHIND FINISH WALL)
- OR -
6700R RETROFIT PLATE
(ON TOP OF FINISH WALL)



INSTALLATION ABOVE HAWS 1107L

* IF YOUR FOUNTAIN IS THIS STYLE USE THESE DIMENSIONS

1. SEE SEPARATE INSTALLATION DRAWINGS FOR MOUNTING PLATES AND BACKPANELS
2. WHEN INSTALLING THIS UNIT, LOCAL, STATE OR FEDERAL CODES SHOULD BE ADHERED TO FOR INSTALLATION LOCATIONS, WASTE & SUPPLY REQUIREMENTS OTHER THAN SHOWN.

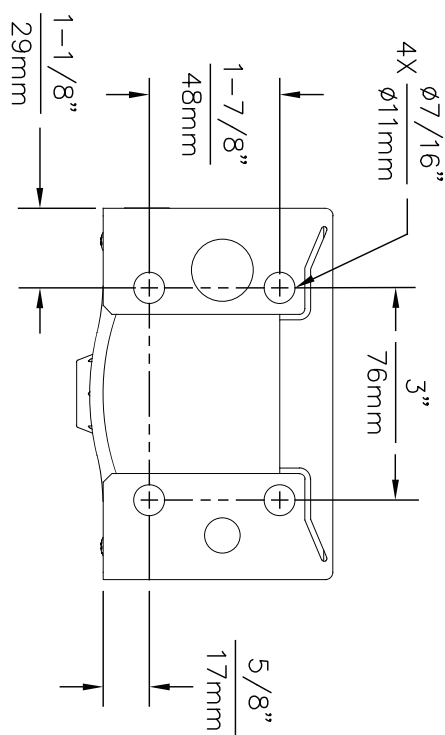
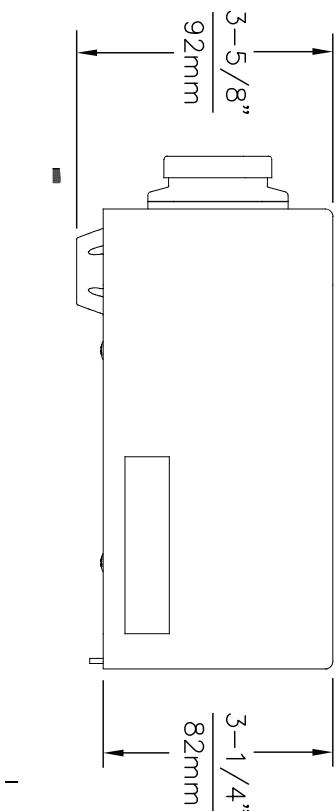


ECONO. REVISED PERBY:	MODEL(S)	MODEL 1107L
DRAWING:	EN. TYPE:	CHGO
SCC:	DATE:	08/13/17
APPROVED:	SCALE:	1/4" = 1"
DRAWING TYPE:		INSTALLATION
WITH MODEL:		1920 BOTTLE FILLER
PART NUMBER:		1107L-20
REVISION:		0A.1
SIZE:		A SHEET 1 OF 2

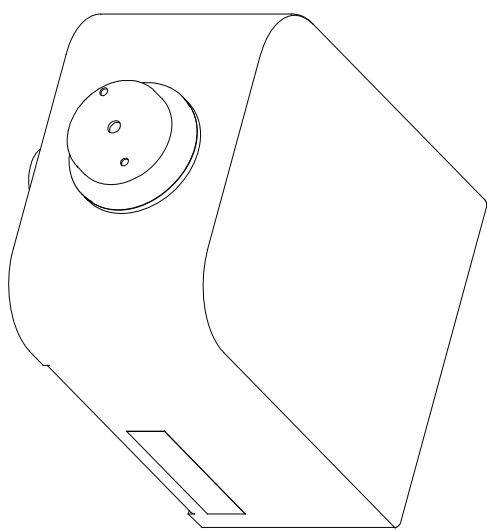
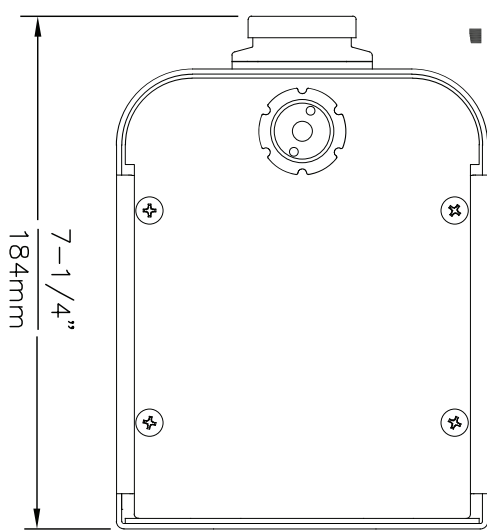
1455 KLEPPPE LANE
SPARKS, NEVADA 89431
(775) 359-4712 FAX (775) 359-7424
E-MAIL: HAWS@HAWS.CO.COM
WEBSITE: WWW.HAWS.CO.COM

©2017 Haws Corporation - All Rights Reserved. HAWS® and other trademarks used in these materials are the exclusive property of Haws Corporation.

THIS DOCUMENT IS TRUE AND CORRECT AT TIME OF PUBLICATION. CONTINUED PRODUCT IMPROVEMENTS MAKE SPECIFICATIONS AND MEASUREMENTS SUBJECT TO CHANGE WITHOUT NOTICE.



1920 MOUNTING HOLE LOCATIONS



NOTES:

1. SEE SEPERATE INSTALLATION DRAWINGS FOR MOUNTING PLATES AND BACKPANELS
2. WHEN INSTALLING THIS UNIT, LOCAL, STATE OR FEDERAL CODES SHOULD BE ADHERED TO FOR INSTALLATION LOCATIONS, WASTE & SUPPLY REQUIREMENTS OTHER THAN SHOWN.



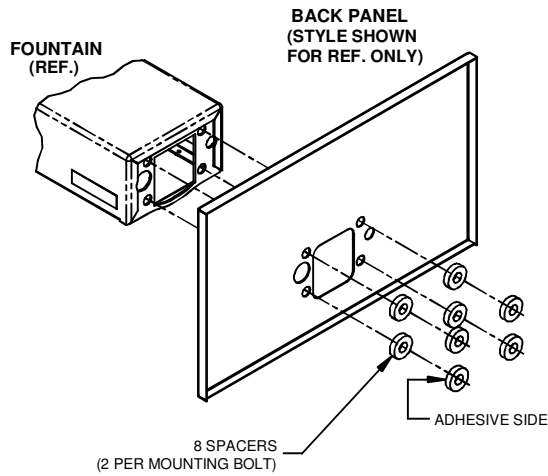
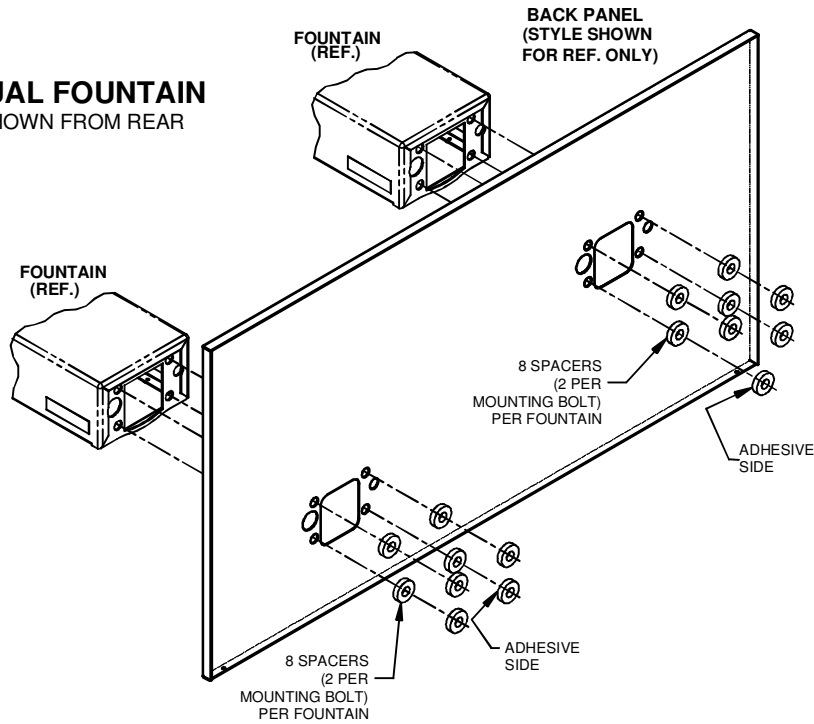
Haws

1435 KLEPPE LANE
SPARKS, NEVADA 89431
(775) 359-4712 FAX (775) 359-7424
E-MAIL: HAWS@HAWSCO.COM
WEBSITE: WWW.HAWSCO.COM

EQN NO. REVISED PER BY:	MODEL(S)	
5081 EQN/S172 AM		
DRGNS	MODEL 1920/1920HPS/1920W	PART NUMBER
105/16 FJ		0510000490.D
APPROVED:	SCALE: N/A	REVISION:
DATE: 02/27/17	DRAWINGS TYPE:	2
FV	INSTALLATION:	SIZE: A
		SHEET 1 OF 5

©2017 Haws Corporation - All Rights Reserved. HAWS® and other trademarks used in these materials are the exclusive property of Haws Corporation.

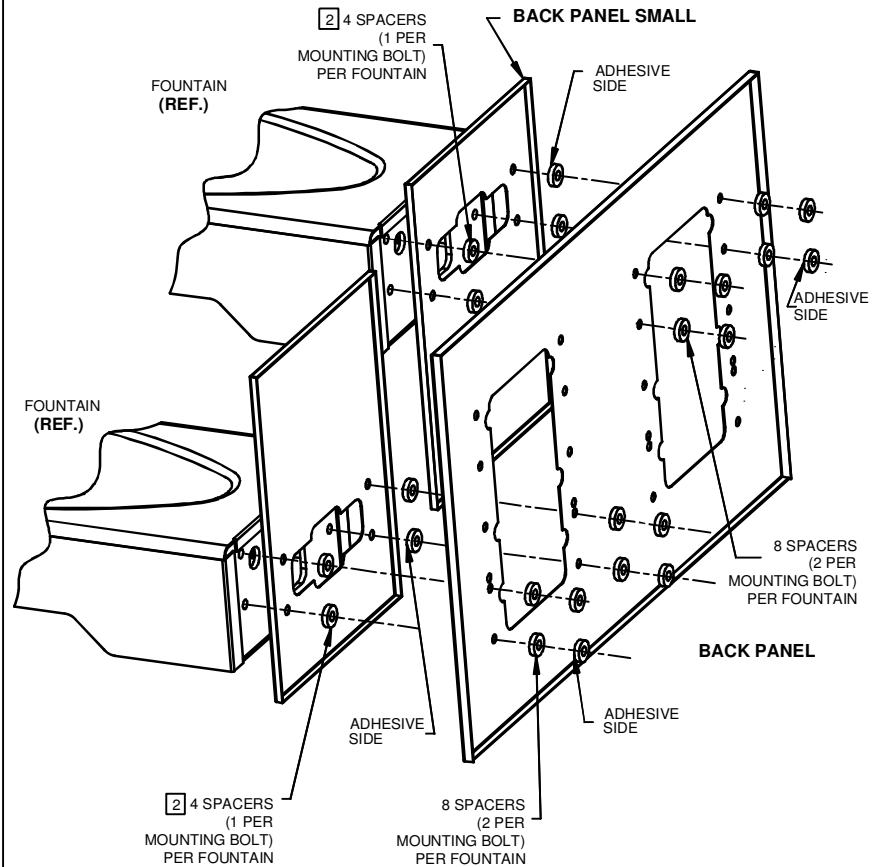
DUAL FOUNTAIN SHOWN FROM REAR



SINGLE FOUNTAIN SHOWN FROM REAR

NOTES:

- 1 ON ALL BACK PANEL MODELS, SPACERS ARE NOT USED WHEN A MOUNTING FRAME IS USED EXCEPT AS SPECIFIED IN NOTE 2
- 2 INDICATED SPACERS ARE USED WITH MOUNTING FRAME (DUAL ADJUSTABLE)

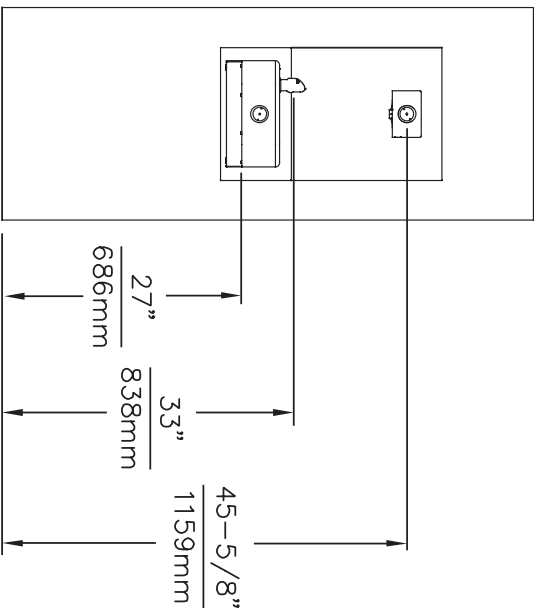


DUAL FOUNTAIN ADJUSTABLE SHOWN FROM REAR

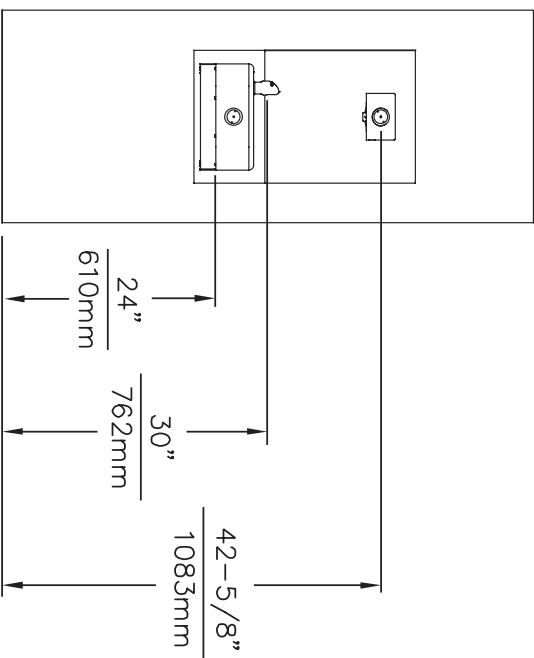


1455 KLEPPE LANE
SPARKS, NEVADA 89431
(775) 359-4712 FAX (775) 359-7424
E-MAIL: HAWS@HAWS.CO.COM
WEBSITE: WWW.HAWS.CO.COM

ECN NO:	REVISED PER BY:	MODEL(S)	PART NUMBER
DRAWN:	DATE:	CHK'D:	0002082219
APPROVED:	DATE:		DRAWING NO. REV
			08292C00 5
SCALE: 1:10		DRAWING TYPE: INSTALLATION	SIZE: A SHEET 1 OF 1



ADA ADULT ACCESSIBLE DIMENSIONS 1107L AND H1107.8
H1107.8 GRILL NOT SHOWN FOR CLARITY



ADA CHILD ACCESSIBLE DIMENSIONS 1107L AND H1107.8
H1107.8 GRILL NOT SHOWN FOR CLARITY



1485 KLEPPE LANE
SPARKS, NEVADA 89431
(775) 359-4712 FAX (775) 359-7424
EMAIL: HAWS@HAWSCO.COM
WEBSITE: WWW.HAWSCO.COM

EQUIP. NO.	REVISED PER BY:	MODEL(S)	PART NUMBER
DRAWN	EQ#	MODEL 1107L AND H1107.8	1107L-24
DATE	DATE	WITH MODEL 1920 BOTTLE FILLER	REVISION
APPROVED	DATE	SCALE: N/A	0A.1
		DRAWING TYPE:	SHEET 1 OF 1
		INSTALLATION	