

FEATURES & BENEFITS

CONSTRUCTION

Rugged ADA accessible 18 gauge Type 304 Stainless Steel swirl design bowls, 14 gauge Type 304 Stainless Steel brackets and bottle filler, and vandal-resistant bottom plates provides a long lasting unit with added peace of mind.

BOTTLE FILLER

Vandal-resistant, 14-gauge Type 304 stainless steel bottle filler housing with push button operation and 1 gpm (3.78 L) laminar flow.

VANDAL RESISTANT

The bubbler heads, push buttons, round bowls, drain strainers and bottom plates are locked in place, discouraging unwanted vandal tampering.

BUBBLER HEADS

Polished chrome-plated brass bubbler heads with integral laminar flow prevents splashing while providing a superior flow pattern. The integral 11/16" basin shank and stainless anti-rotational roll pin add vandal resistance strength. Shielded, angled stream opening provides a steady, sanitary source of drinking water at .45 gpm.

FOUNTAIN VALVES

The push-button activated valves have all stainless steel bodies, with chrome plated brass push button assemblies which allow for front access to water stream adjustment, water control cartridge, and water supply strainer replacement without having to go through the bottom plate. Operating pressure range of 30 to 90 psi (2.1 to 6.2 bar).

MOUNTING

Galvanized frame and 10 gauge surface plate provide the maximum mounting strength, and allows front access of P-trap and stop.

OPTIONS

- Mounting Plate: Model 6700R, on-wall mounting plate for model 1920.
- Mounting Plate: Model 6700, in-wall mounting plate for model 1920.
- Bottle Filler Stand: Model BTL1001, add-on stainless steel stand to place bottle on when 1920 bottle filler is used.
- Fountain Skirt: Model SK3, satin-finish stainless steel cane touch skirt for installation on high unit in some applications that may need to comply with ADA protruding objects guidelines.

For more information, visit www.hawsco.com or call (888) 640-4297.



REQUIRED MODELS

1011MS / MTGFR.DF2 / 1920 / BP32

Order these items to make up Model 1011MS-1920 fountain with stainless steel back panel, bottle filler with stainless steel back plate, and fountain mounting frame shown above.

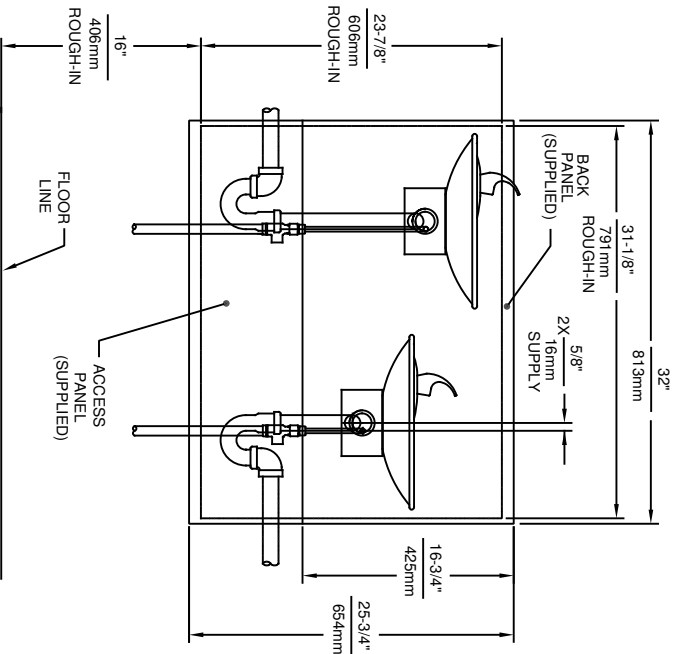
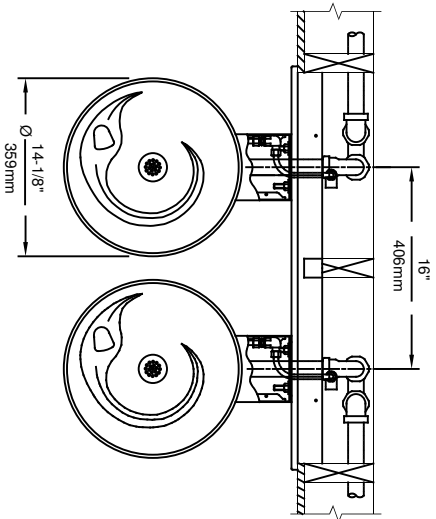
SPECIFICATIONS

Model 1011MS-1920 ADA vandal-resistant wall-mounted drinking fountain and bottle filler shall include dual 18-gauge Type 304 Stainless Steel satin finish basins with integral swirl design, 14 gauge Type 304 Stainless Steel wall brackets and bottle filler bracket, in-wall mounting frame with lower access panel allowing for front access of P-trap and stop, 100% lead-free waterways, push-button operated stainless steel valves with front-accessible cartridge and flow adjustment, polished chrome-plated brass vandal resistant bubbler heads with integral laminar anti-squirt flow, 1gpm (3.78L) laminar flow bottle filler, chrome-plated brass vandal-resistant waste strainers, high and low fountain mounting levels, stainless steel satin finish back panels, and 1-1/4" O.D. (3.2 cm) waste pipes. Manufactured to be lead-free by all known definitions including NSF/ ANSI/CAN 61-Section 9, NSF/ANSI/ CAN 372, California Proposition 65, and the Federal Safe Drinking Water Act. Product is compliant to California Health and Safety Code 116875 (AB 1953-2006), and NSF/ ANSI/CAN 61: Q ≤ 1.

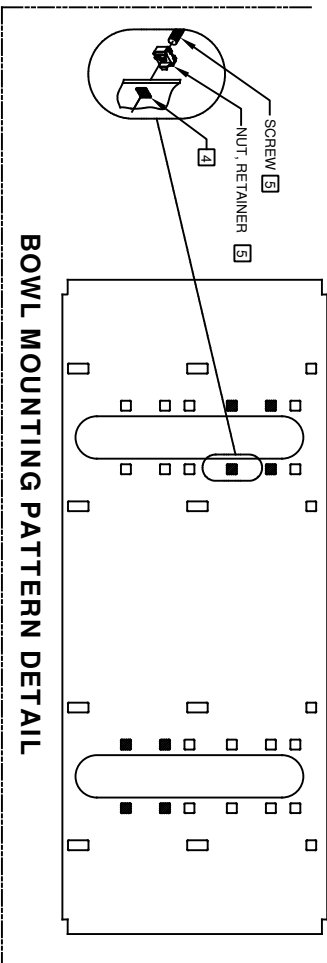


NOTES:

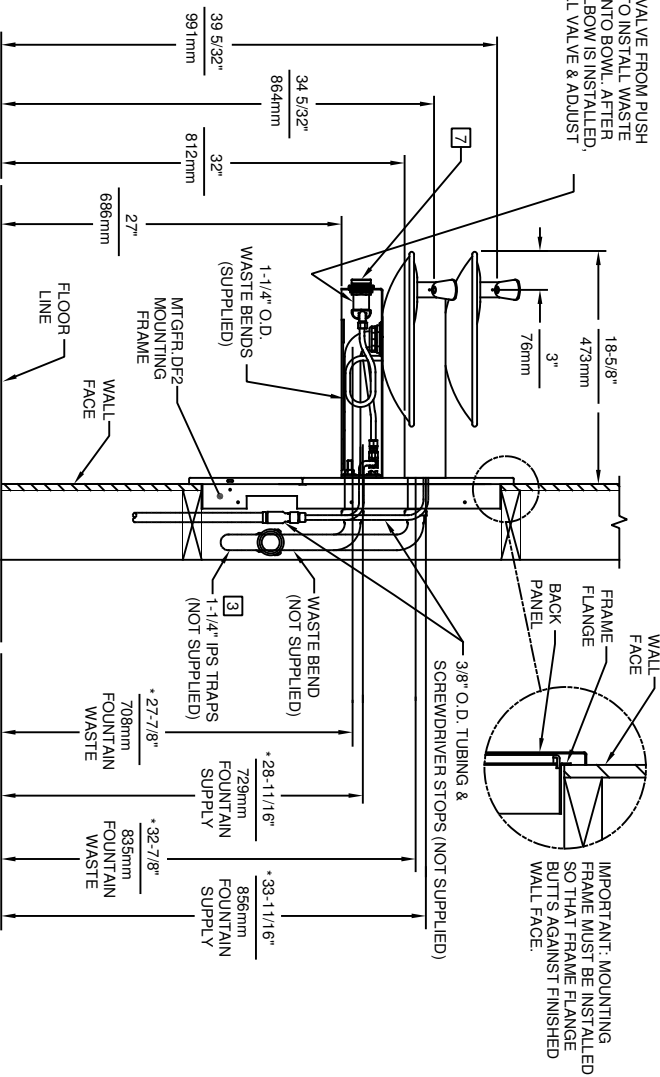
- 1 HOLD ROUGH-IN DIMENSIONS $\pm 1/8"$ (3.2mm).
- 2 WHEN INSTALLING THIS UNIT, LOCAL, STATE, OR FEDERAL CODES SHOULD BE ADHERED TO FOR DIMENSIONS (LOCATIONS), WASTE AND SUPPLY REQUIREMENTS OTHER THAN SHOWN.
- 3 INSTALLER MUST PROVIDE TRAP FOR PROPER INSTALLATION.
- 4 HOLE COMBINATION SHOWN BELOW IS FOR USE WITH LOW FOUNTAIN ON THE RIGHT AND HIGH FOUNTAIN ON THE LEFT. USE OPPOSITE HOLES FOR HIGH ON RIGHT AND LOW ON LEFT.
- 5 TO CHANGE FOUNTAIN MTG. SCREW LOCATIONS: FIRST REMOVE SCREWS AND THEN SQUEEZE CLIPS ON NUT RETAINER TO POP OUT. SNAP INTO NEW POSITIONS FROM BACKSIDE AND RE-ASSEMBLE SCREWS.
- 6 IMPORTANT: A L.H. LOW (OPTIONAL) CONFIGURATION WILL REQUIRE A DIFFERENT BACK PANEL AND THE WASTE AND SUPPLY DIMENSIONS SHOWN (?) MUST BE REVERSED.
- 7 REFER TO 5874 SERIES OPERATION AND MAINTENANCE MANUAL FOR PUSH BUTTON AND VALVE INSTALLATION/MAINTENANCE INSTRUCTIONS.



REMOVE VALVE FROM PUSH BUTTON TO INSTALL WASTE ELBOW ONTO BOWL. AFTER WASTE ELBOW IS INSTALLED, REINSTALL VALVE & ADJUST FLOW.



BOWL MOUNTING PATTERN DETAIL

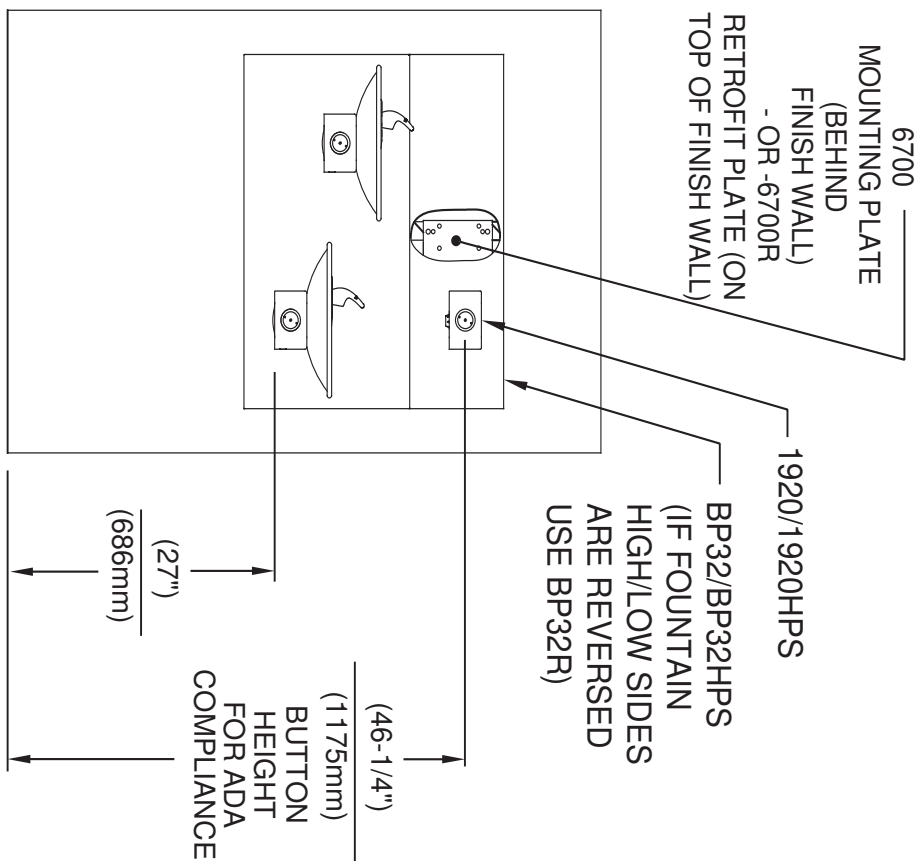


3/8" O.D. TUBING & SCREWDRIVER STOPS (NOT SUPPLIED)

IMPORTANT: MOUNTING FRAME MUST BE INSTALLED SO THAT FRAME FLANGE BUTTS AGAINST FINISHED WALL FACE.

1459 KLEPPE LANE
 SPARKS, NEVADA, 89431
 (775) 359-4712 FAX (775) 359-7424
 E-MAIL: HAWS@HAWS.CO.COM
 WEBSITE: WWW.HAWS.CO.COM

ECN NO. REVISED PER BY:		MODEL(S)	
ECN: 5124	VWC	1011HPSMS/1011MS	
DATE: 08/02/99	VWC	DRINKING FOUNTAIN	
APPROVED: FV	DATE: 07/06/17	SCALE: 1:16	DRAWING TYPE: INSTALLATION
PART NUMBER		SIZE: A	
0002076519.D		SHEET 1 OF 1	
REVISION: 11			

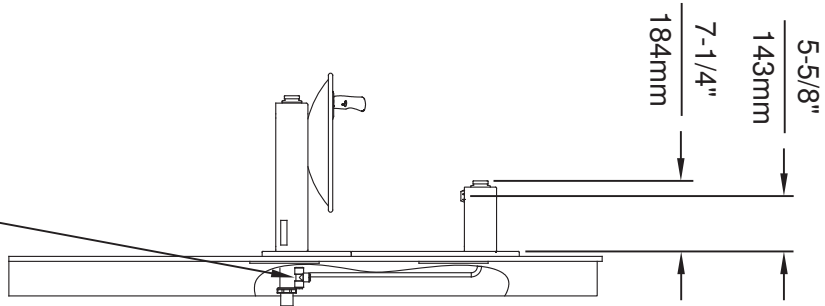
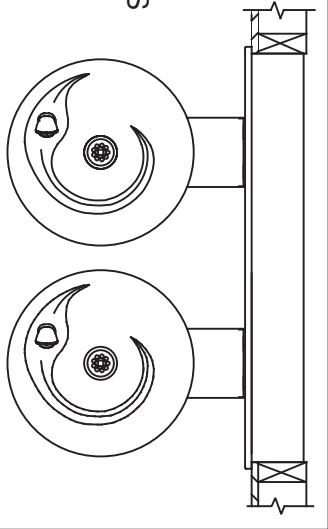


INSTALLATION ABOVE HAWS 1011, 1011HPS, 1011HPSMS, 1011MS, H1011.8, H1011.8HO, H1011.8HPS

* IF YOUR FOUNTAIN IS THIS STYLE USE THESE DIMENSIONS

1. SEE SEPARATE INSTALLATION DRAWINGS FOR MOUNTING PLATES AND BACKPANELS

2. WHEN INSTALLING THIS UNIT, LOCAL, STATE OR FEDERAL CODES SHOULD BE ADHERED TO FOR INSTALLATION LOCATIONS, WASTE & SUPPLY REQUIREMENTS OTHER THAN SHOWN.



3/8" O.D. SUPPLY TUBING AND 3/8" O.D. PUSH-IN TEE SUPPLIED. (CONNECT TO FOUNTAIN SUPPLY LINE)

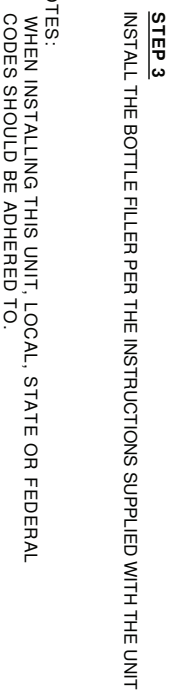
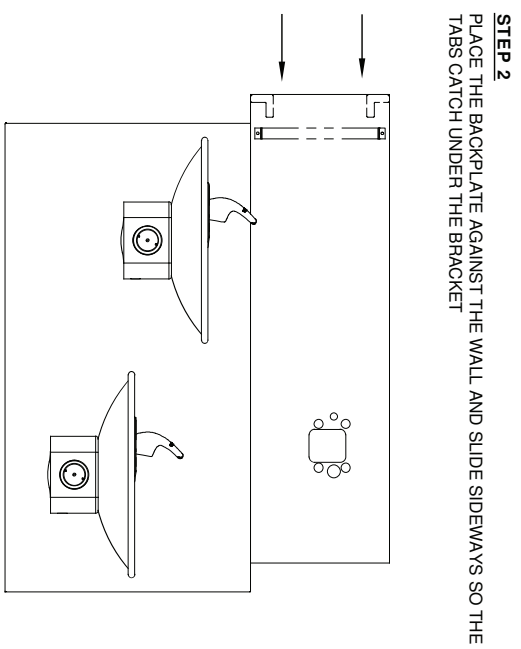
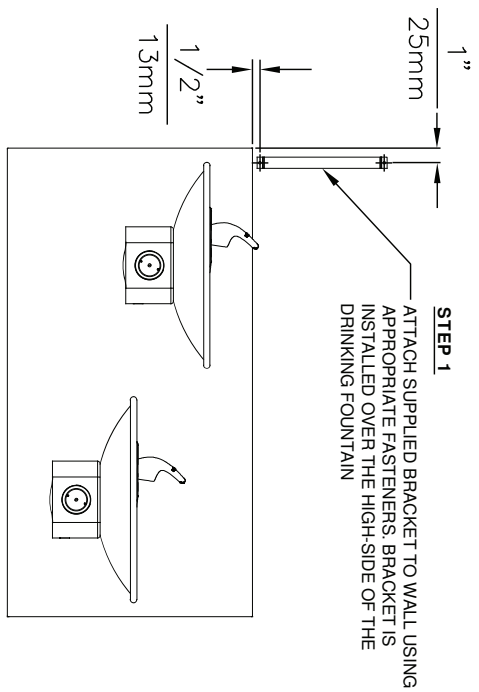
Haws

1455 KLEPPE LANE
SPARKS, NEVADA 89431
(775) 359-4712 FAX (775) 359-7424
E-MAIL: HAWS@HAWSCO.COM
WEBSITE: WWW.HAWSCO.COM

EQ. NO.	REVISED PER BY:	MODEL(S)	PART NUMBER
5301	F.V.	1920/1920HPS	0510000490.D
DRAWN	DATE:	DWG. NO.	REVISION
1	05/14/20	DP	6

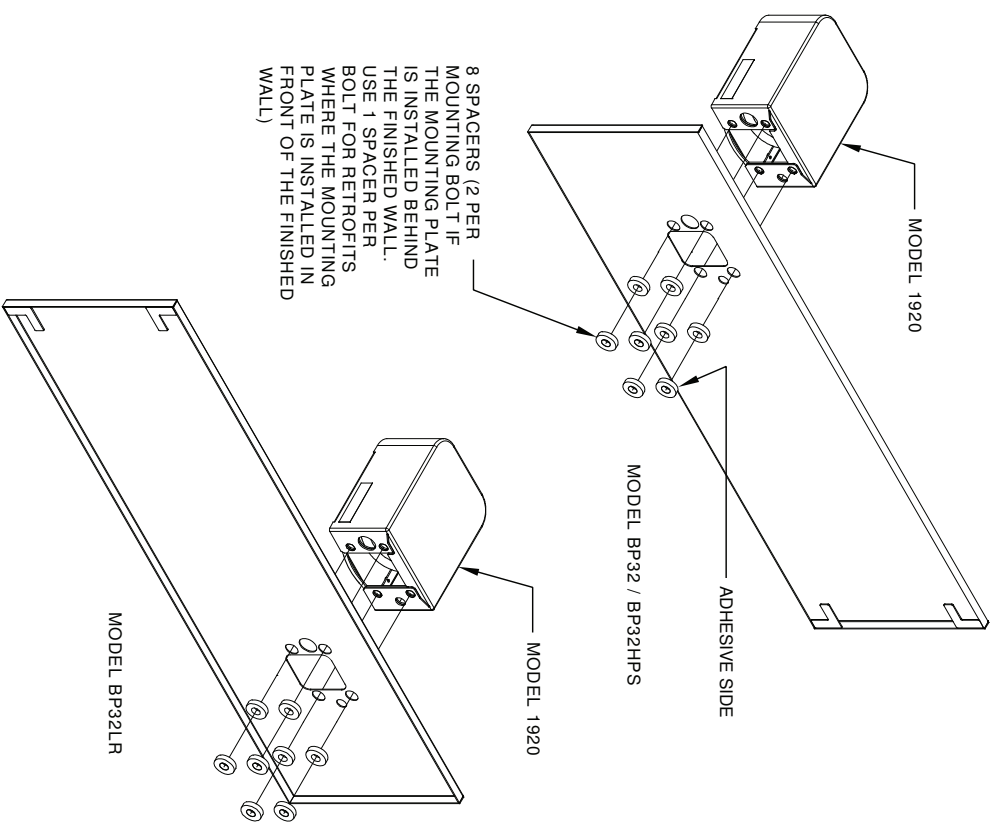
APPROVED: F.V.

SCALE: N/A DRAWING TYPE: INSTALLATION SIZE: A SHEET 2 OF 6



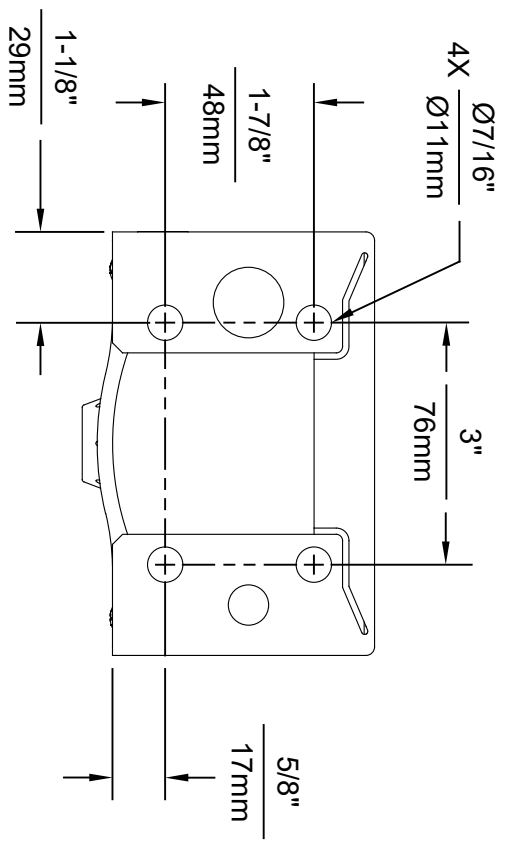
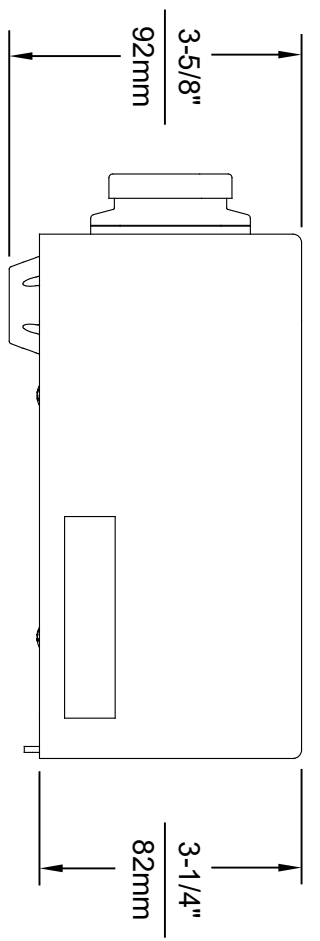
NOTES:
1. WHEN INSTALLING THIS UNIT, LOCAL, STATE OR FEDERAL CODES SHOULD BE ADHERED TO.

©2017 Haws Corporation - All Rights Reserved. HAWS® and other trademarks used in these materials are the exclusive property of Haws Corporation.

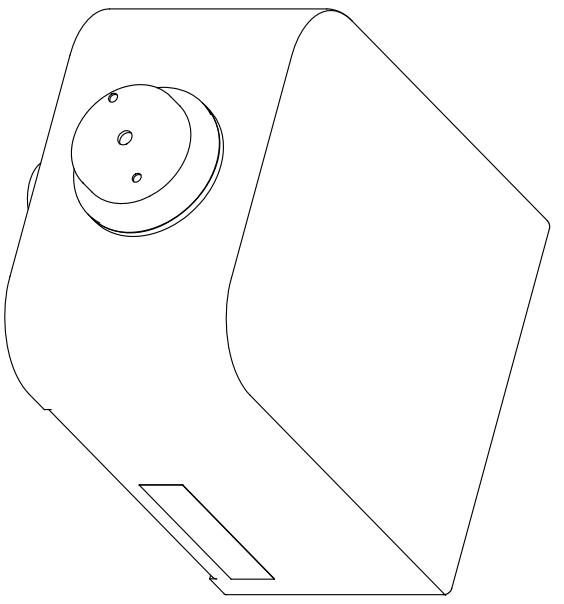
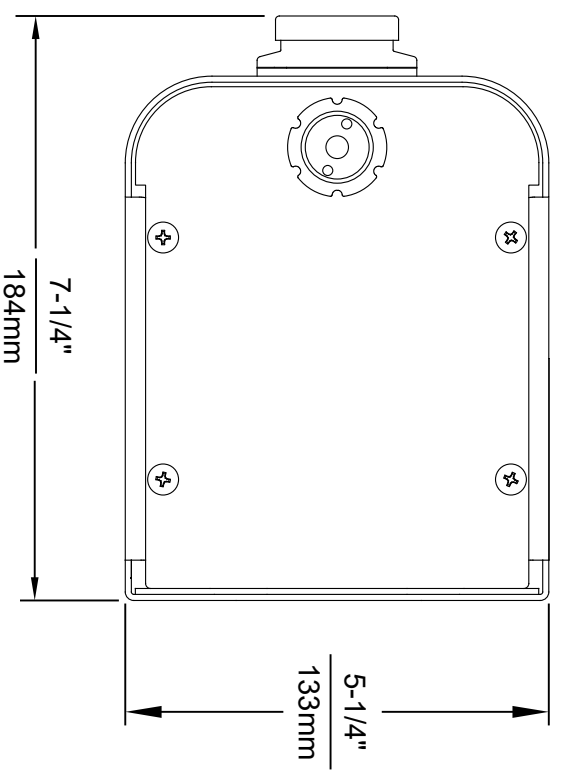


INSTALLATION OVER DOUBLE FOUNTAIN
SHOWN FROM REAR

		1455 KLEPPÉLANE	
SPARKS, NEVADA 89431		(775) 359-4712 FAX (775) 359-7424	
E-MAIL: HAWS@HAWSCO.COM		WEBSITE: WWW.HAWSCO.COM	
ECN NO: 5081	REVISION: 0510000493.D	DATE: 06/27/17	SCALE: 1:1
DRAWN: MJ	CHKD: EV	APPROVED: TV	SHEET 2 OF 2
MODEL(S) DRAWING: BACK PANEL SPACER INST. BF			
INSTALLATION			



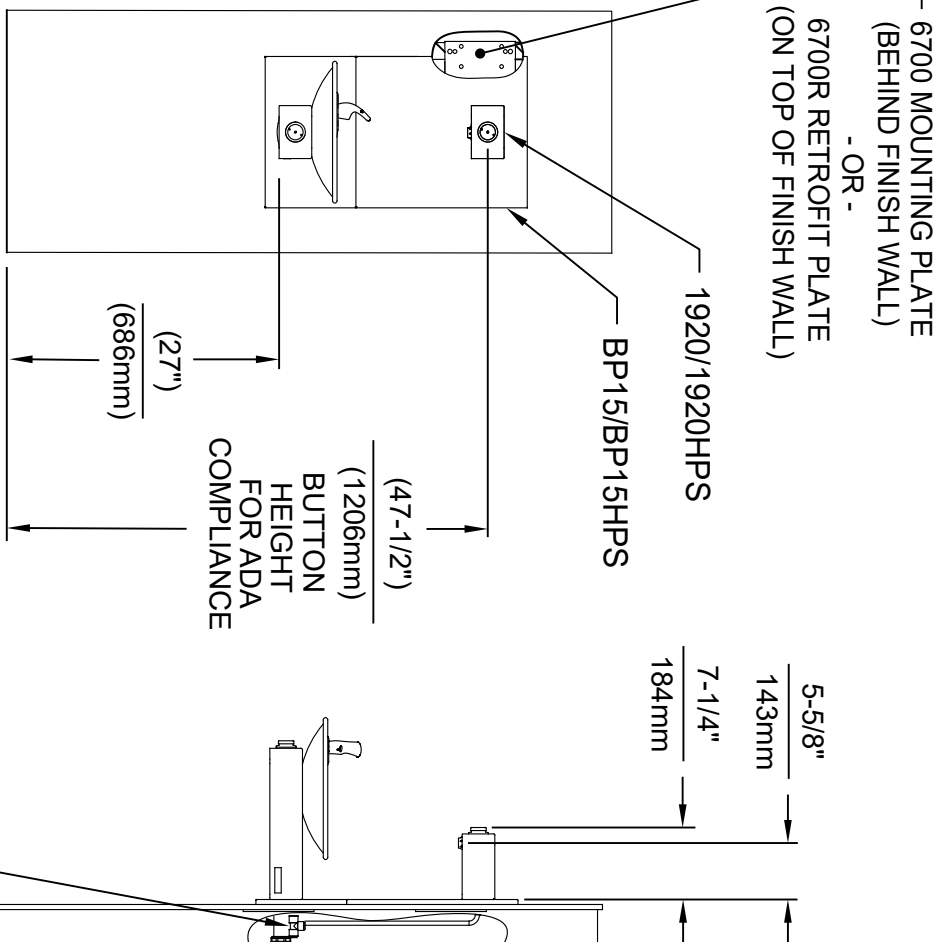
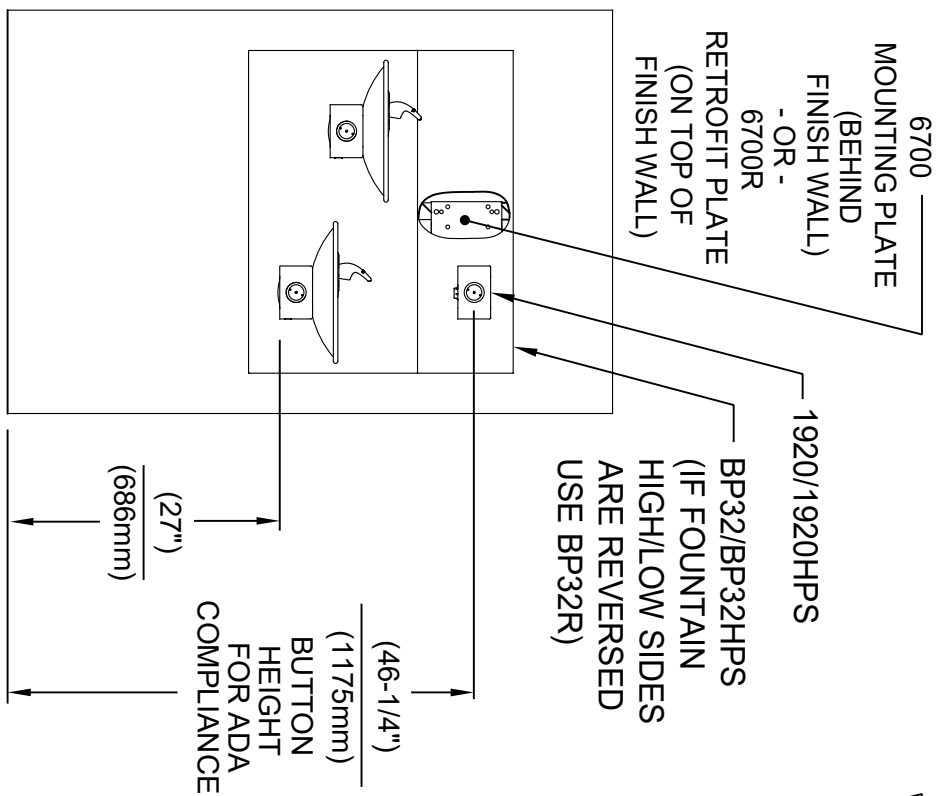
1920 MOUNTING HOLE LOCATIONS



NOTES:

1. SEE SEPARATE INSTALLATION DRAWINGS FOR MOUNTING PLATES AND BACKPANELS
2. WHEN INSTALLING THIS UNIT, LOCAL, STATE OR FEDERAL CODES SHOULD BE ADHERED TO FOR INSTALLATION LOCATIONS, WASTE & SUPPLY REQUIREMENTS OTHER THAN SHOWN.

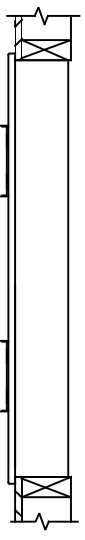
		Haws		1459 KLEPPE LANE	
SPARKS, NEVADA 89431		(775) 359-4712 FAX (775) 359-7424		E-MAIL: HAWS@HAWSCO.COM	
WEBSITE: WWW.HAWSCO.COM		PART NUMBER		0510000490.D	
ECN NO. REVISED PER BY:	MODEL(S)	DATE:	CHKD:	DATE:	REVISED:
5081 ECN: 5744 FV	1920/1920HPS/1920W	05/25/16	BMM	10/1/21	10
APPROVED: FV	SCALE: N/A	DRAWING TYPE:	INSTALLATION:	SIZE: A	SHEET: 1 OF 7



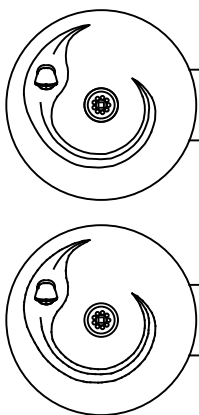
INSTALLATION ABOVE HAWS 1011 & H1011.8 SERIES

INSTALLATION ABOVE HAWS 1001 & H1001.8 SERIES

* IF YOUR FOUNTAIN IS THIS STYLE USE THESE DIMENSIONS



1. SEE SEPARATE INSTALLATION DRAWINGS FOR MOUNTING PLATES AND BACKPANELS
2. WHEN INSTALLING THIS UNIT, LOCAL, STATE OR FEDERAL CODES SHOULD BE ADHERED TO FOR INSTALLATION LOCATIONS, WASTE & SUPPLY REQUIREMENTS OTHER THAN SHOWN.



Haws

1459 KLEPPE LANE
SPARKS, NEVADA 89431
(775) 359-4712 FAX (775) 359-7424
E-MAIL: HAWS@HAWSCO.COM
WEBSITE: WWW.HAWSCO.COM

ECN NO. REVISED PER BY:	MODEL(S)	1920/1920HPS/1920W
5081	DATE:	01/20/17
MD	CHK'D:	B.M.W.
APPROVED:	DATE:	10/1/21
F.V.	SCALE:	N/A
	DRAWING TYPE:	INSTALLATION
	SIZE:	A
	SHEET:	2 OF 7
	REVISION:	10
	PART NUMBER:	0510000490.D