

Brita® Hydration Station™

REPLACEMENT FILTER

MODEL **6424**

SPECIFICATIONS

Model 6424 Brita® Hydration Station™ replacement filter cartridge is used on models 2000 and 2000SM systems which are tested and certified by CSA against NSF/ANSI Standard 42 for the reduction of chlorine (taste and odor) and against NSF/ANSI Standard 53 for the reduction of lead and cysts. It is a 2,400 gallon capacity carbon block filter cartridge.

APPLICATIONS

This filter cartridge is designed specifically for the Brita® Hydration Station™.

PERFORMANCE DATA SHEET

IMPORTANT NOTICE: Read this Performance Data Sheet and compare the capabilities of this unit with your actual water treatment needs. It is recommended that, before purchasing a water treatment unit, you have your water supply tested to determine your actual water treatment needs.



Substance	Influent Challenge Concentration	Reduction Requirement	Maximum Permissible Product Water Concentration	Average Percent Reduction
Chlorine, Taste and Odor	2.0 mg/L ± 10%	≥ 50%	N/A	96.6%
Lead	0.15 mg/L ± 10%	N/A	0.010 mg/L	99%
Cyst	Minimum 50,000/L	99.95%	N/A	99.99%

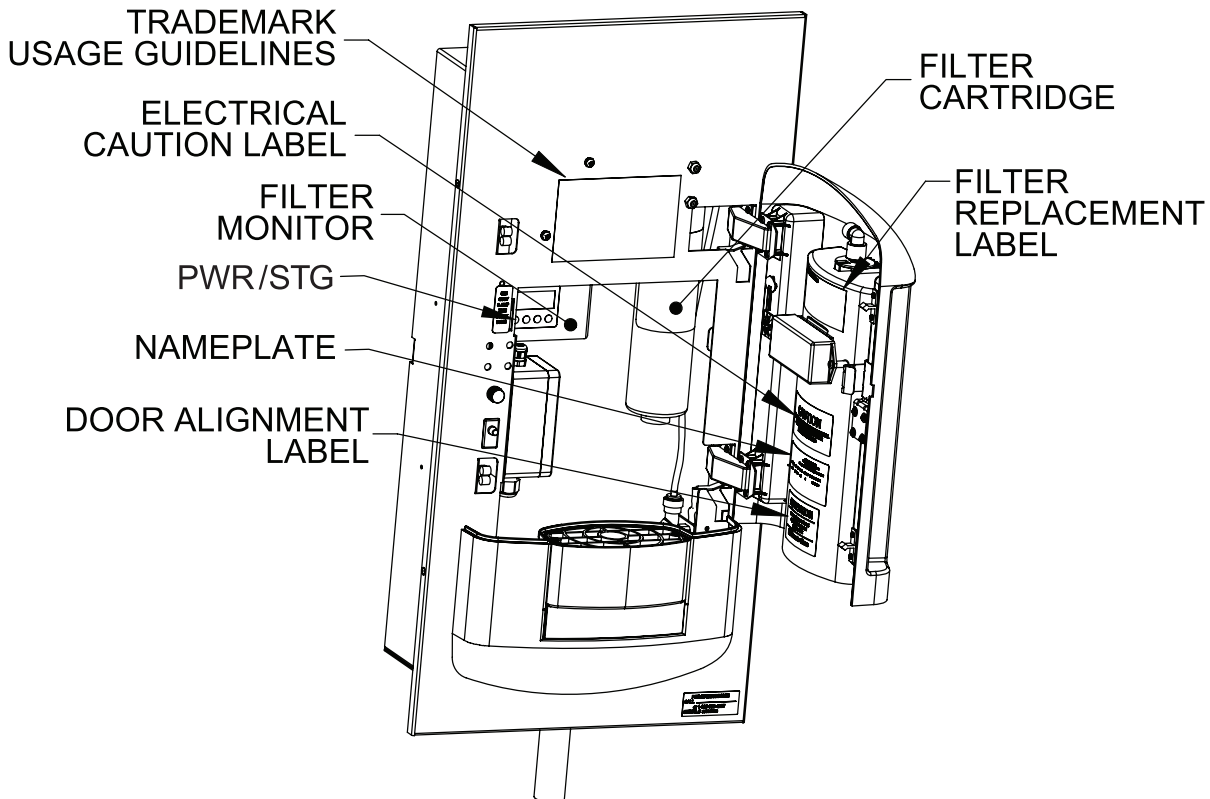
This system has been tested according to NSF/ANSI 42/53 for the reduction of the substances listed. The concentration of the indicated substances in water entering the system was reduced to a concentration less than or equal to the permissible limit for water leaving the system, as specified in NSF/ANSI 42/53.

Testing was performed under standard laboratory conditions. The contaminants or other substances removed or reduced by this water treatment device are not necessarily in all users' water. Filter performance may vary based on local water conditions.

FILTER LOCATION & REPLACEMENT

An instructional label is visible when the hinged panel is opened, noting how to replace the filter (see below).

NOTE: Water does not need to be shut off to replace the filter cartridge; however, it should be shut off if the filter head is going to be left without a cartridge installed for a long period of time.



- Unscrew old filter cartridge.
- Screw new cartridge firmly into filter head.
- Reset the filter monitor by pressing the "Pwr/Stg" button on the filter monitor base unit (unless display is already on).
- Press the "Set" button once, then press & hold the "Set" button for 2 seconds.
- Run water briefly through unit to assure that the filter LED flashes green upon activation. If it does not, consult the Troubleshooting Guide.
- Open unit and examine to assure that there are no leaks.
- Water should be run through the system for approximately five minutes after the cartridge is installed in order to remove the loose carbon particles from the filter cartridge and any air bubbles from the system.