



INSTALLATION, OPERATION & MAINTENANCE INSTRUCTIONS

1455 Kleppe Lane ♦ Sparks, NV 89431-6467 ♦ (775) 359-4712 ♦ Fax (775) 359-7424
E-mail: haws@hawsco.com ♦ website: www.hawsco.com

No. 0510000490 (5)

Model 1920/1920HPS/1920W Bottle Filler

NOTE TO INSTALLER: Please leave this information with the Maintenance Department.

LIMITED WARRANTY

HAWS warrants that this specific product is guaranteed against defective material or poor workmanship for a period of **one year from date of shipment**. HAWS liability under this warranty shall be discharged by furnishing without charge F.O.B. HAWS Factory any goods, or part thereof, which shall appear to the Company upon inspection to be of defective material or not of first class workmanship, provided that claim is made in writing to Haws within a reasonable period after receipt of the product. Where claims for defects are made, the defective part or parts shall be delivered to the Company, prepaid, for inspection. HAWS will not be liable for the cost of repairs, alterations or replacements, or for any expense connected therewith made by the owner or his agents, except upon written authority from HAWS, Sparks, Nevada. HAWS will not be liable for any damages caused by defective materials or poor workmanship, except for replacements, as provided above. Buyer agrees that HAWS shall not be liable for general, special, or consequential damages claimed to arise under the contract of sale. The drinking fountain manufactured by HAWS is warranted to function if installation and maintenance instructions provided are adhered to. The units also must be used for the purpose for which they were intended.

**NO OTHER WARRANTIES EXPRESSED OR IMPLIED ARE AUTHORIZED,
PROVIDED OR GIVEN BY HAWS.**

**SHOULD YOU EXPERIENCE DIFFICULTY WITH THE INSTALLATION OF THIS
MODEL PLEASE CALL:**

TECHNICAL SUPPORT: 1-800-766-5612

FOR CUSTOMER SERVICE: 1-888-640-4297

REQUIRED TOOLS: Tubing cutter, 3/32" and 5/32" hex key set, adjustable wrench or socket.

LOCATION OF UNIT: The Model 1920/1920HPS/1920W bottle filler water dispenser can be installed in various applications. Possible installations include indoor over an existing drinking fountain, outdoor over an existing fountain, or a standalone wall-mounted bottle filler. When installing this unit, local, state or federal codes should be adhered to.

SUPPLY LINE: The minimum recommended line size is 3/8"O.D. copper or plastic tubing with 30-90 psi (2-6 ATM) pressure. Where sediment or mineral content is a problem, an inlet filter is recommended.

PLUMBING CONNECTIONS: Inlet is 3/8"O.D. push-in type fitting.

MAINTENANCE: Periodically clean the strainer. Refer to 5874 Series Valve Manual for more information.

INSTALLATION PROCEDURE

GENERAL NOTES:

1. For all plastic push-in type fitting connections, only connect NSF-61 copper or plastic tubing. Stainless steel or glass tubing is not recommended. The following assembly instructions must be followed to ensure a watertight connection:
 - a. Cut tubing square and clean.
 - b. Mark from end of tube the length of insertion (See table below).
 - c. Push tube into the fitting until it bottoms out.
 - d. To remove, depress collet and pull tubing out.

Tube Sizes	O.D. Tolerance	Insertion Depth
1/4"	±.005"	11/16"
3/8"	±.005"	3/4"
1/2"	±.005"	7/8"

CLEANING INSTRUCTIONS FOR HI-POLISHED STAINLESS PRODUCTS:

Haws' recommended cleaning procedure for hi-polished stainless products is as follows: Use a mild detergent or soap and water for removing stains and fingerprints or use a clean cloth with window cleaner.

BOTTLE FILLER BRACKET:

If installing the bottle filler in new construction, use Model 6700 or 6700.4L Mounting Plate. Follow the installation instructions supplied with the 6700 or 6700.4L for mounting dimensions. Reference Pages 5-10 of this document for 1920/1920HPS/1920W button heights when mounted over different Haws drinking fountains. (Note: Mounting Hardware only supplied with 6700 Series Mounting Plates and not the Bottle Filler Water Dispensers).

If installing as a retrofit in old construction, it is recommended to use Model 6700 or 6700.4L Mounting Plate behind the finished wall. If that is not possible, it is recommended to install wood stud cross-braces behind the wall and mount the 1920/1920HPS/1920W directly to the wood support. If that is not possible, Model 6700R Retrofit Plate may be used. Follow the installation instructions supplied with the 6700R. (Note: Mounting Hardware only supplied with 6700 Series Mounting Plates and not the Bottle Filler Water Dispensers).

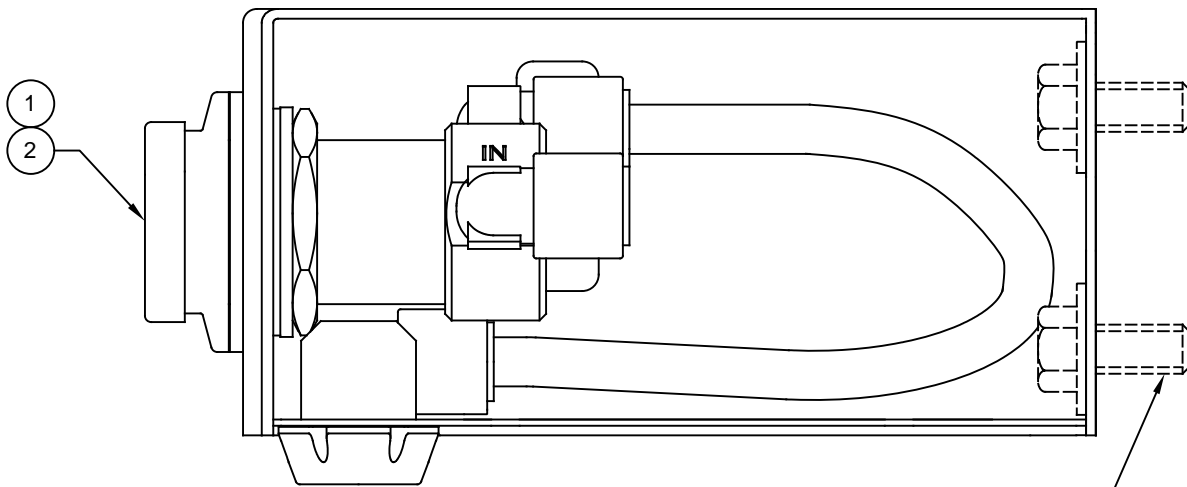
If installing as a stand-alone bottle filler, use the mounting hole location diagram on Page 5 and bolt the 1920/1920HPS/1920W securely to the wall. (Note: Mounting Hardware not supplied with Bottle Filler Water Dispensers).

TROUBLESHOOTING	
PROBLEM	REPAIR CHECKLIST
1. Insufficient water flow.	1a. Check that any inlet screwdriver stop valve (not supplied) is wide open. Turn counterclockwise. b. Verify minimum 30 psi flowing supply pressure. c. Clean strainer. See 5874 Series Valve Manual. d. Adjust valve to increase flow. Use front adjust screw or see 5874 Series Valve Manual. e. Make sure nozzle is free of debris.
2. Excessive water flow.	2a. Adjust valve to decrease flow. Use front adjust screw or see 5874 Series Valve Manual.
3. Water flow is crooked or splatters.	3a. Make sure nozzle is free of debris. b. Verify that bottle filler is installed level and straight. c. Adjust valve to decrease flow. Use front adjust screw or see 5874 Series Valve Manual.

For more information about Haws products, see our website: www.hawSCO.com


ITEM	DESCRIPTION	PART NO.
1	VALVE REPAIR KIT HF	VRK5874HF
2	PUSH BUTTON ASSY	PBA6

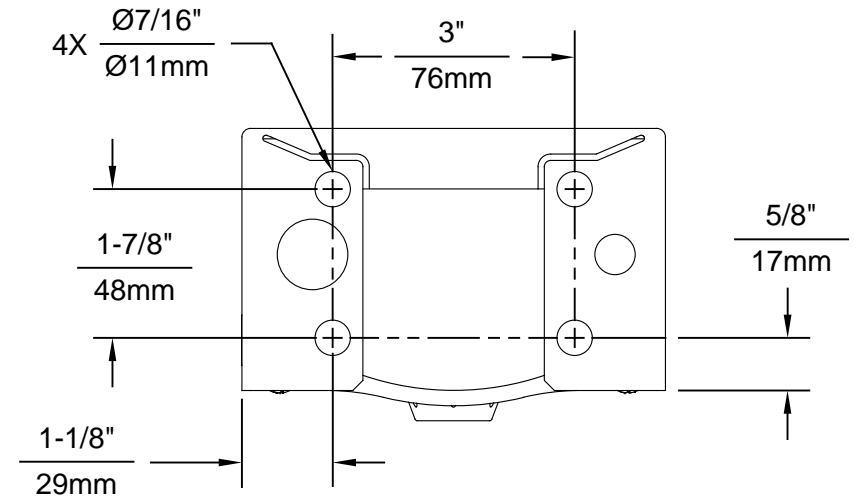
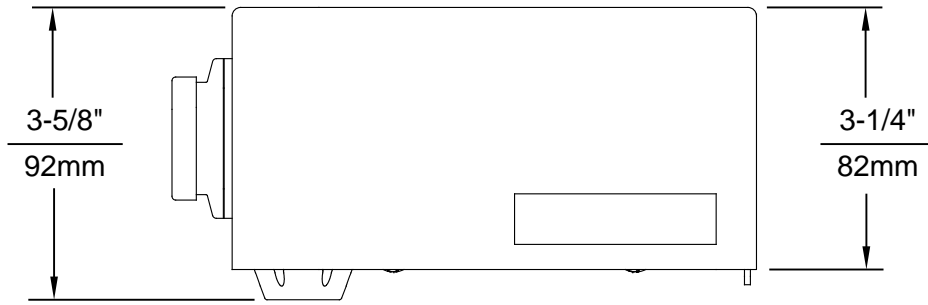
PARTS BREAKDOWN



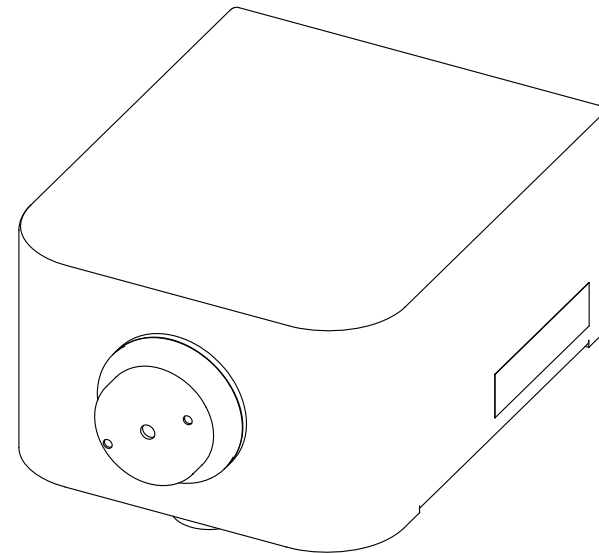
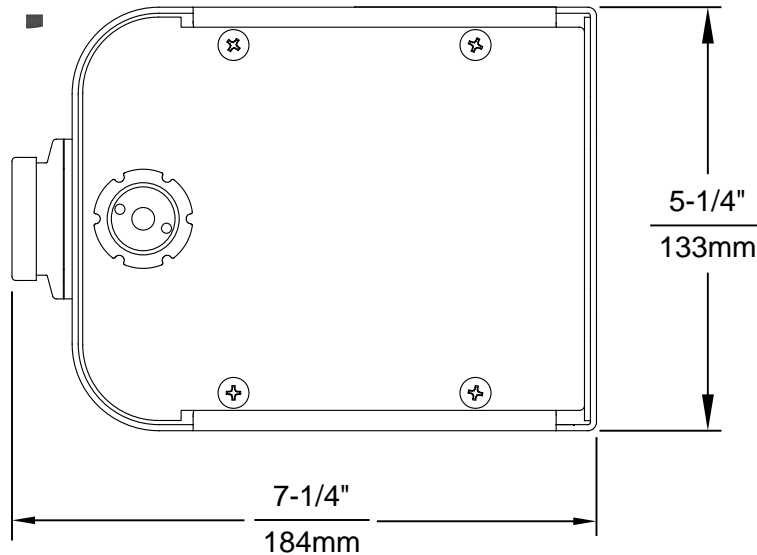
3/8"-16 UNC MOUNTING HARDWARE
NOT SUPPLIED

WHEN ORDERING PARTS PLEASE SPECIFY MODEL NUMBER.

 Haws [®]			1455 KLEPPE LANE SPARKS, NEVADA 89431 (775) 359-4712 FAX (775) 359-7424 E-MAIL: HAWS@HAWS.CO.COM WEBSITE: WWW.HAWS.CO.COM	
			ECN NO. 5081 DRAWN MJ APPROVED IR	REVISED PER ECN: 5385 DATE 06/08/16 DATE 02/07/19
SCALE: 1:14			DRAWING TYPE: PARTS BREAKDOWN	SIZE: A SHEET 1 OF 1




1920 MOUNTING HOLE LOCATIONS



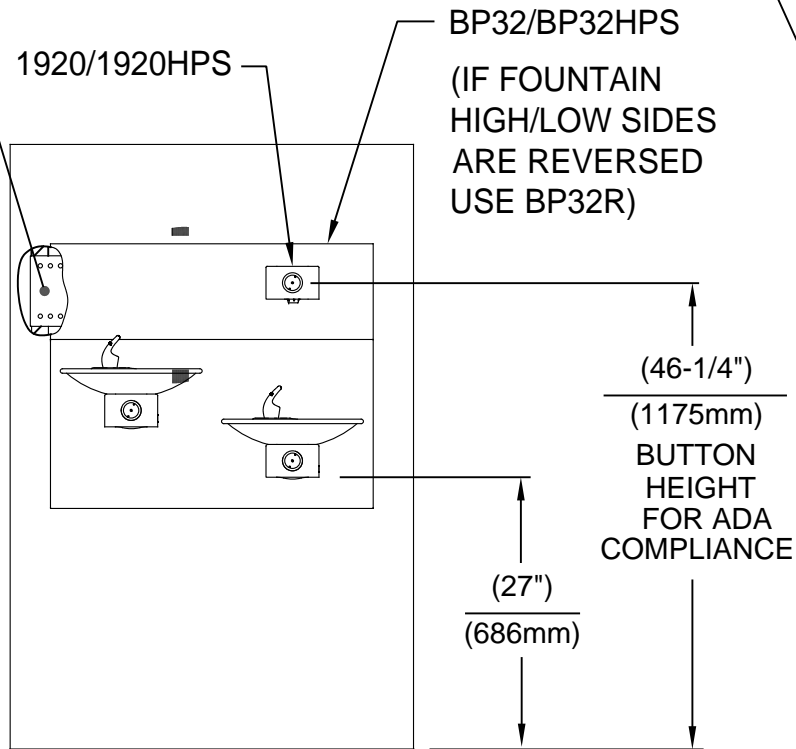
NOTES:

1. SEE SEPARATE INSTALLATION DRAWINGS FOR MOUNTING PLATES AND BACKPANELS
2. WHEN INSTALLING THIS UNIT, LOCAL, STATE OR FEDERAL CODES SHOULD BE ADHERED TO FOR INSTALLATION LOCATIONS, WASTE & SUPPLY REQUIREMENTS OTHER THAN SHOWN.

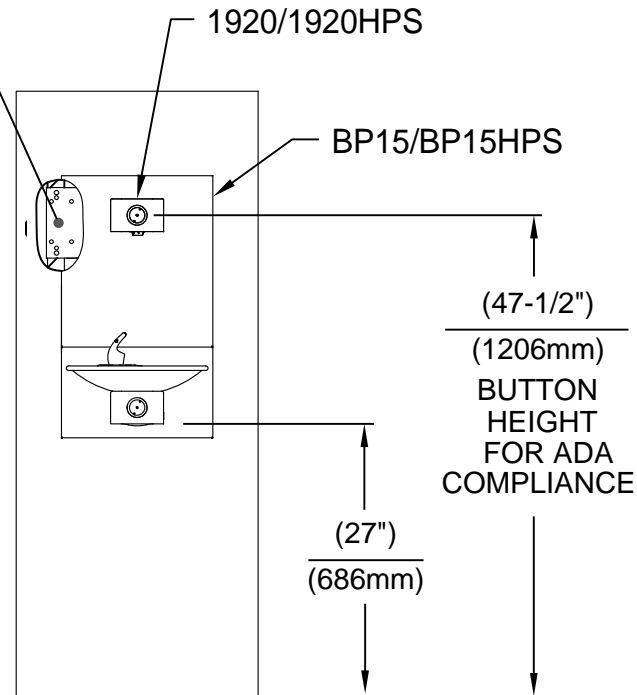
			1455 KLEPPE LANE SPARKS, NEVADA 89431 (775) 359-4712 FAX (775) 359-7424 E-MAIL: HAWS@HAWSCO.COM WEBSITE: WWW.HAWSCO.COM		
ECN NO. 5081	REVISED PER ECN: 5385	BY: FV	MODEL(S)		PART NUMBER
DRAWN: DS	DATE: 05/25/16	CHKD.: VWG	MODEL 1920/1920HPS/1920W		0510000490.D
APPROVED: IR	DATE: 02/07/19	SCALE: N/A	DRAWING TYPE:	INSTALLATION	REVISION 5
			SIZE: A	SHEET 1 OF 6	

6700.4L MOUNTING PLATE
(BEHIND FINISH WALL)
- OR -
6700R RETROFIT PLATE
(ON TOP OF FINISH WALL)

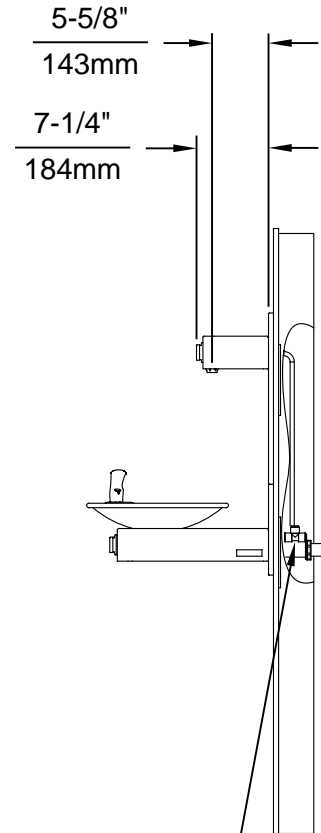
6700 MOUNTING PLATE
(BEHIND FINISH WALL)
- OR -
6700R RETROFIT PLATE
(ON TOP OF FINISH WALL)



INSTALLATION ABOVE HAWS 1011, 1011HPS, 1011HPSMS, 1011MS, H1011.8, H1011.8HO, H1011.8HPS



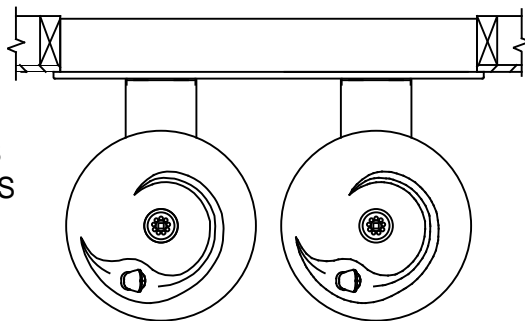
INSTALLATION ABOVE HAWS 1001, 1001HPS, 1001HPSMS, 1001MS, H1001.8, H1001.8HPS



3/8" O.D. SUPPLY TUBING AND 3/8" O.D. PUSH-IN TEE SUPPLIED. (CONNECT TO FOUNTAIN SUPPLY LINE)

* IF YOUR FOUNTAIN IS THIS STYLE USE THESE DIMENSIONS

1. SEE SEPARATE INSTALLATION DRAWINGS FOR MOUNTING PLATES AND BACKPANELS
2. WHEN INSTALLING THIS UNIT, LOCAL, STATE OR FEDERAL CODES SHOULD BE ADHERED TO FOR INSTALLATION LOCATIONS, WASTE & SUPPLY REQUIREMENTS OTHER THAN SHOWN.

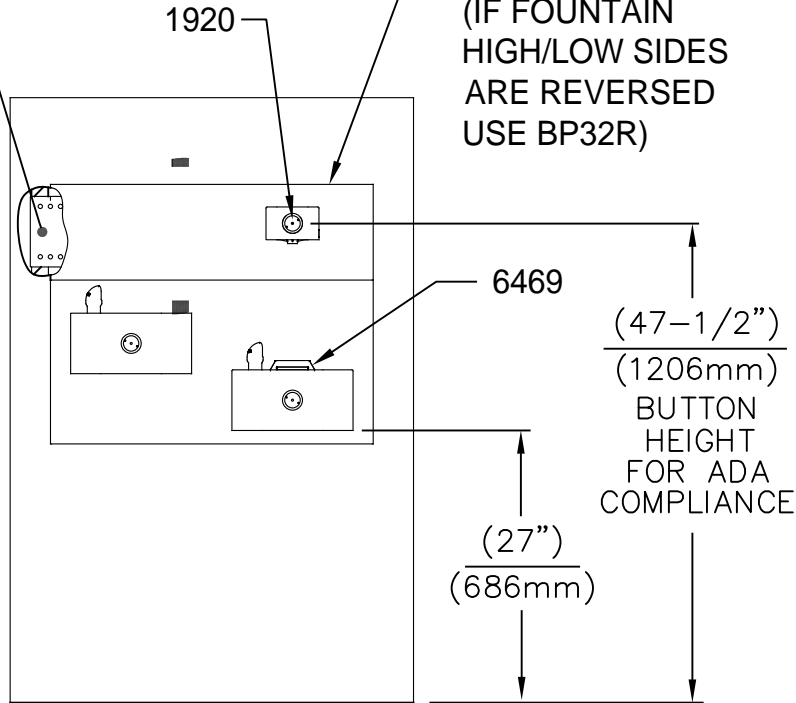


		1455 KLEPPE LANE SPARKS, NEVADA 89431 (775) 359-4712 FAX (775) 359-7424 E-MAIL: HAWS@HAWSCO.COM WEBSITE: WWW.HAWSCO.COM	
ECN NO. 5081 DRAWN: MJ APPROVED: IR	REVISED PER: ECN: 5385 DATE: 01/30/17 DATE: 02/07/19	BY: FV CHKD.: VWC	MODEL(S) MODEL 1920/1920HPS/1920W SCALE: N/A DRAWING TYPE: INSTALLATION
PART NUMBER 0510000490.D REVISION 5			SHEET 2 OF 6

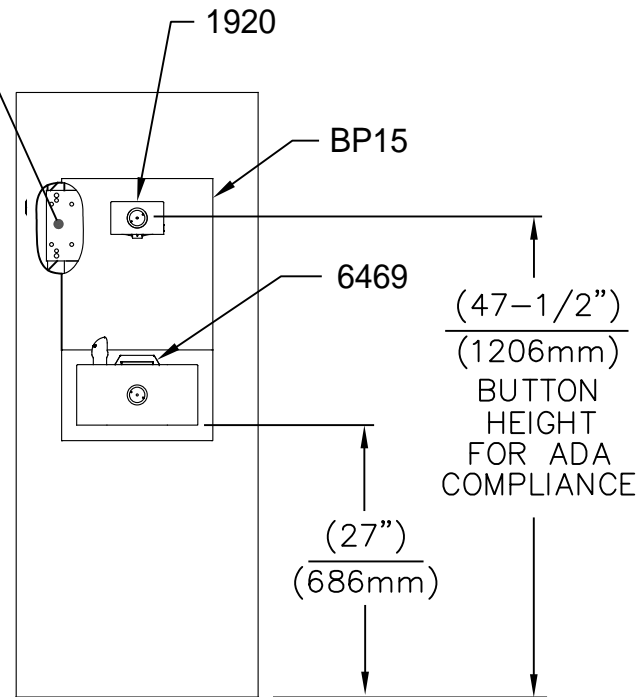
6700.4L MOUNTING PLATE
(BEHIND FINISH WALL)
- OR -
6700R RETROFIT PLATE
(ON TOP OF FINISH WALL)

6700 MOUNTING PLATE
(BEHIND FINISH WALL)
- OR -
6700R RETROFIT PLATE
(ON TOP OF FINISH WALL)

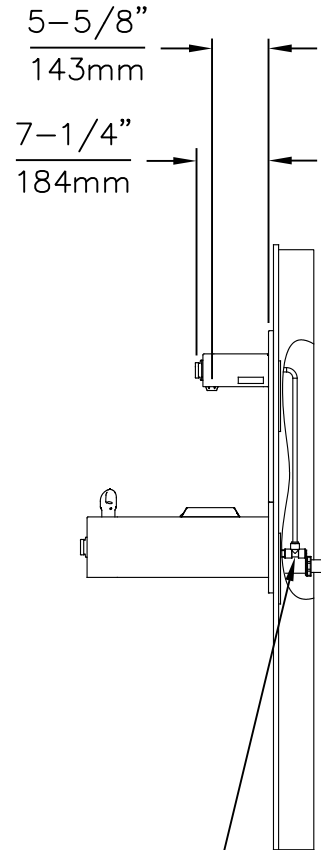
BP32
(IF FOUNTAIN
HIGH/LOW SIDES
ARE REVERSED
USE BP32R)



INSTALLATION ABOVE HAWS 1119, 1119.14, H1119.8



**INSTALLATION ABOVE HAWS 1109,
1109.14, H1109.8**

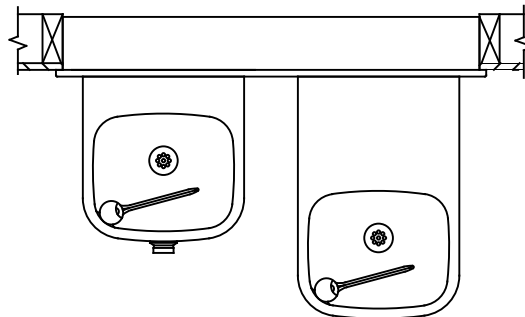



3/8" O.D. SUPPLY
TUBING AND 3/8" O.D.
PUSH-IN TEE SUPPLIED.
(CONNECT TO FOUNTAIN
SUPPLY LINE)

* IF YOUR FOUNTAIN IS THIS STYLE USE
THESE DIMENSIONS

1. SEE SEPARATE INSTALLATION DRAWINGS
FOR MOUNTING PLATES, BACKPANELS
& DRIP TRAY

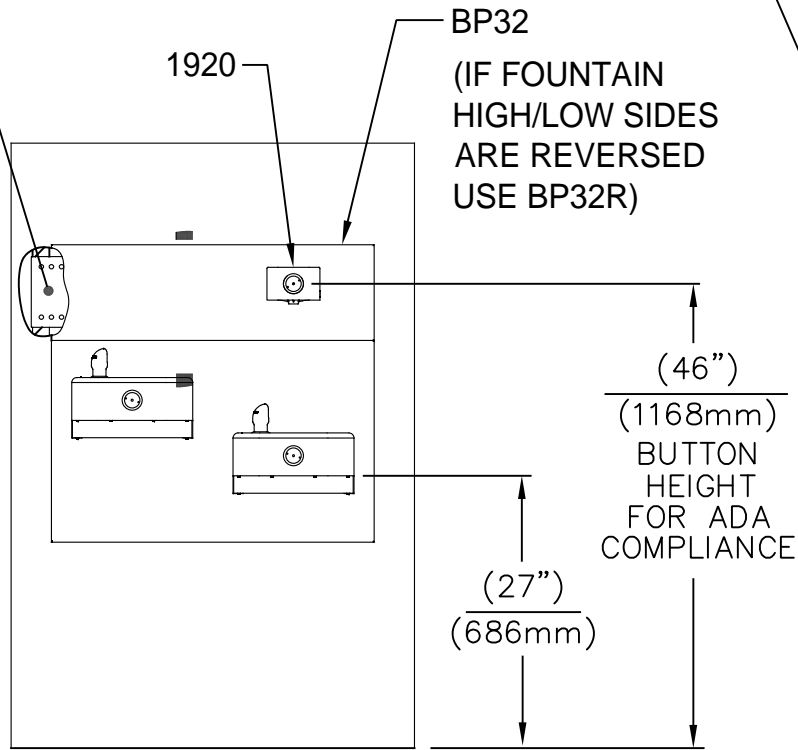
2. WHEN INSTALLING THIS UNIT, LOCAL,
STATE OR FEDERAL CODES SHOULD
BE ADHERED TO FOR INSTALLATION
LOCATIONS, WASTE & SUPPLY
REQUIREMENTS OTHER THAN SHOWN.



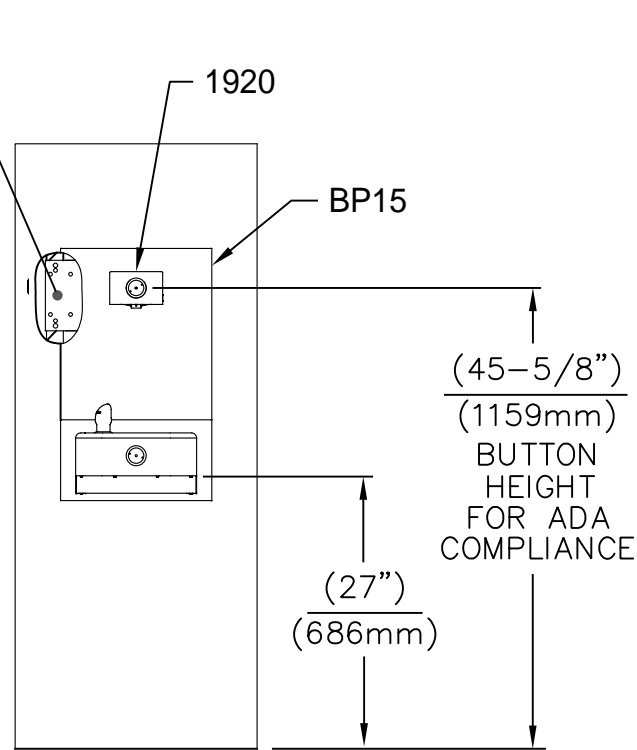
		1455 KLEPPE LANE SPARKS, NEVADA 89431 (775) 359-4712 FAX (775) 359-7424 E-MAIL: HAWS@HAWSCO.COM WEBSITE: WWW.HAWSCO.COM		
ECN NO. 5081	REVISED PER ECN: 5385	BY: FV	MODEL(S)	PART NUMBER
DRAWN: MJ	DATE: 01/30/17	CHKD.: VWC	MODEL 1920/1920HPS/1920W	0510000490.D
APPROVED: IR	DATE: 02/07/19	SCALE: N/A	DRAWING TYPE: INSTALLATION	REVISION 5
			SIZE: A	SHEET 3 OF 6

6700.4L MOUNTING PLATE
(BEHIND FINISH WALL)
- OR -
6700R RETROFIT PLATE
(ON TOP OF FINISH WALL)

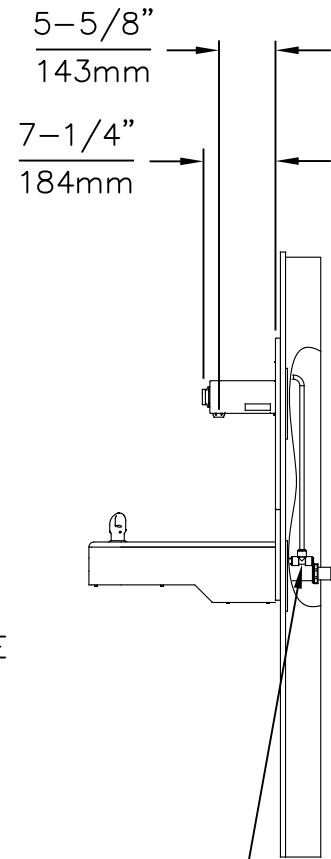
6700 MOUNTING PLATE
(BEHIND FINISH WALL)
- OR -
6700R RETROFIT PLATE
(ON TOP OF FINISH WALL)



INSTALLATION ABOVE HAWS 1117L, H1117.8



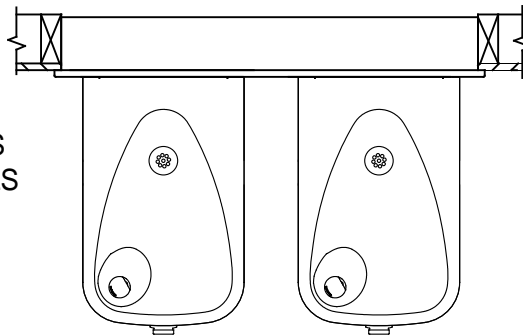
INSTALLATION ABOVE HAWS 1107L, H1107.8



3/8" O.D. SUPPLY
TUBING AND 3/8" O.D.
PUSH-IN TEE SUPPLIED.
(CONNECT TO FOUNTAIN
SUPPLY LINE)

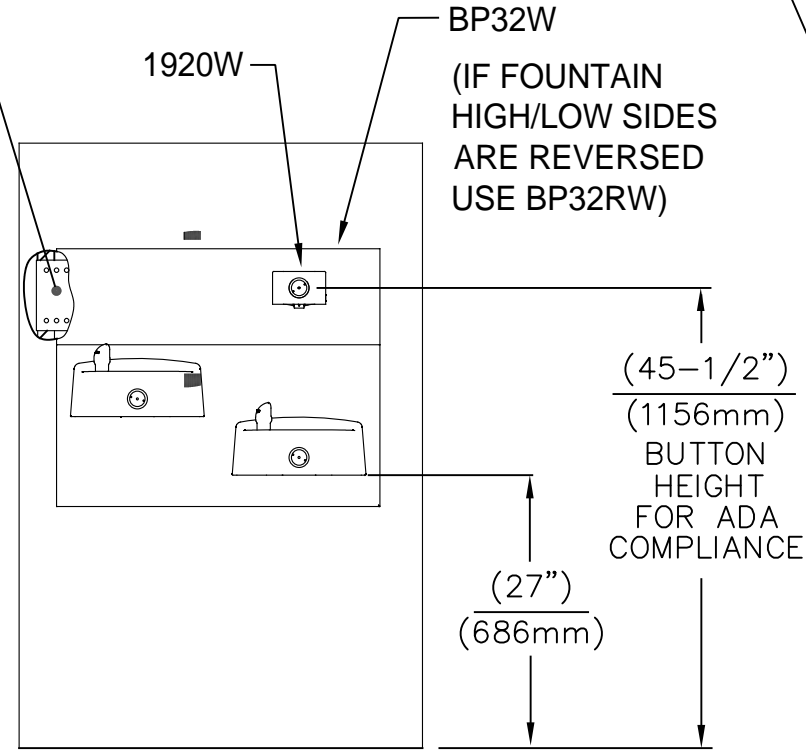
* IF YOUR FOUNTAIN IS THIS STYLE USE
THESE DIMENSIONS

1. SEE SEPARATE INSTALLATION DRAWINGS FOR MOUNTING PLATES AND BACKPANELS
2. WHEN INSTALLING THIS UNIT, LOCAL, STATE OR FEDERAL CODES SHOULD BE ADHERED TO FOR INSTALLATION LOCATIONS, WASTE & SUPPLY REQUIREMENTS OTHER THAN SHOWN.



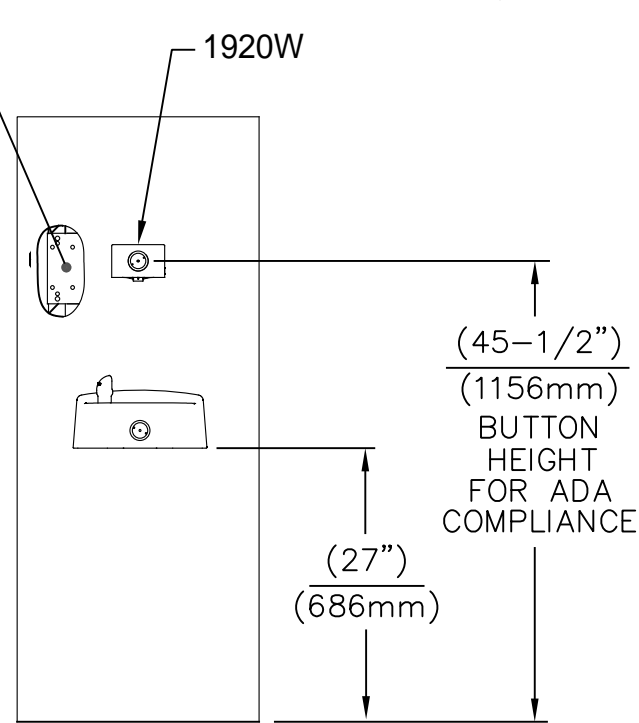
		1455 KLEPPE LANE SPARKS, NEVADA 89431 (775) 359-4712 FAX (775) 359-7424 E-MAIL: HAWS@HAWSCO.COM WEBSITE: WWW.HAWSCO.COM	
ECN NO. 5081	REVISED PER ECN: 5385	BY: FV	MODEL(S) MODEL 1920/1920HPS/1920W
DRAWN: MJ	DATE: 01/30/17	CHKD.: VWC	PART NUMBER 0510000490.D
APPROVED: IR	DATE: 02/07/19	SCALE: N/A	REVISION 5
DRAWING TYPE: INSTALLATION		SIZE: A	SHEET 4 OF 6

6700.4L MOUNTING PLATE
(BEHIND FINISH WALL)
- OR -
6700R RETROFIT PLATE
(ON TOP OF FINISH WALL)

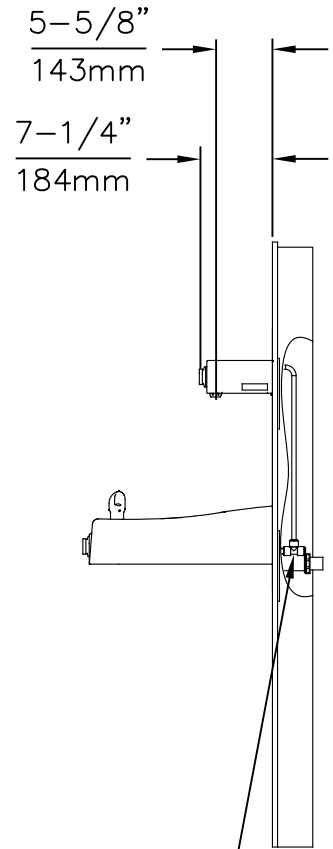


INSTALLATION ABOVE HAWS 1501

6700 MOUNTING PLATE
(BEHIND FINISH WALL)
- OR -
BOLT 1920 ONTO EXISTING WALL
(MOUNTING HARDWARE ONLY SUPPLIED
WITH 6700 SERIES MOUNTING PLATES)

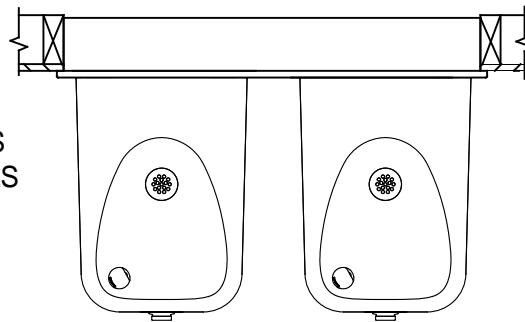


INSTALLATION ABOVE HAWS 1311

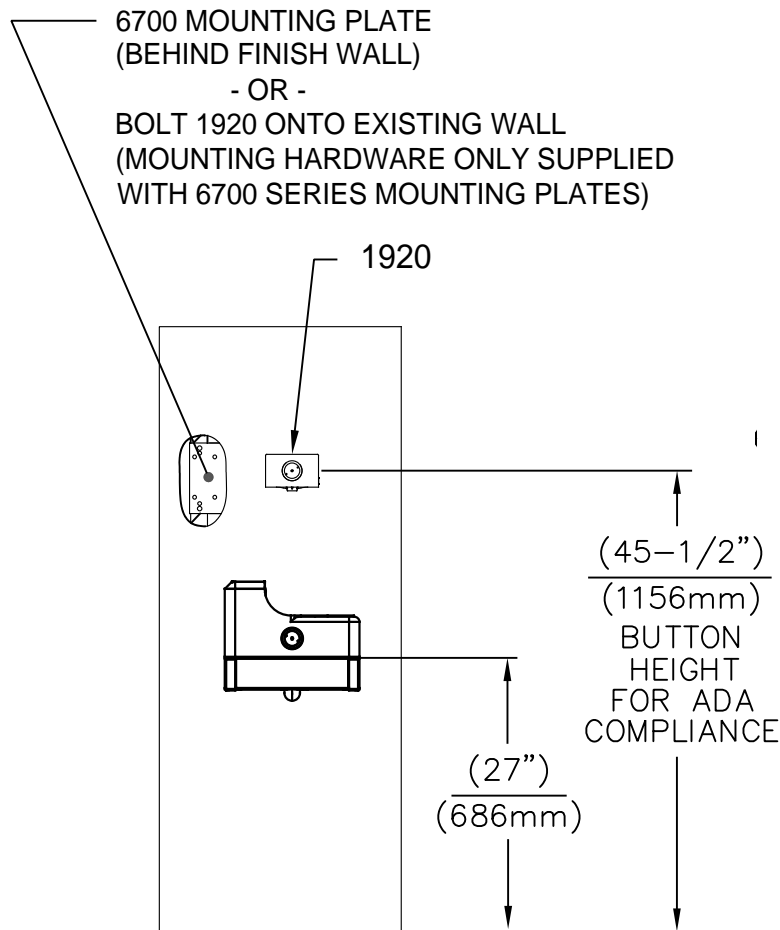


* IF YOUR FOUNTAIN IS THIS STYLE USE THESE DIMENSIONS

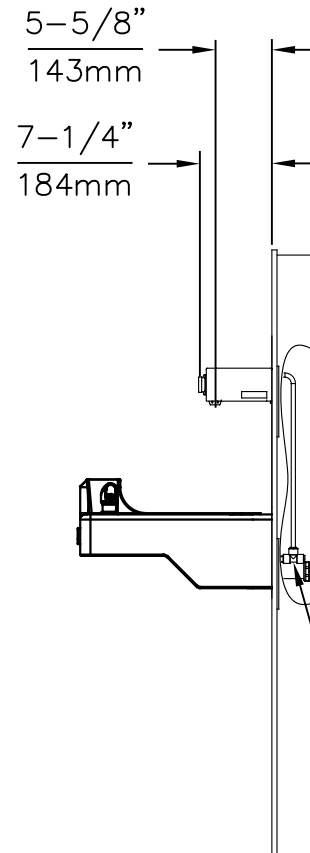
1. SEE SEPERATE INSTALLATION DRAWINGS FOR MOUNTING PLATES AND BACKPANELS
2. WHEN INSTALLING THIS UNIT, LOCAL, STATE OR FEDERAL CODES SHOULD BE ADHERED TO FOR INSTALLATION LOCATIONS, WASTE & SUPPLY REQUIREMENTS OTHER THAN SHOWN.



		1455 KLEPPE LANE SPARKS, NEVADA 89431 (775) 359-4712 FAX (775) 359-7424 E-MAIL: HAWS@HAWSCO.COM WEBSITE: WWW.HAWSCO.COM	
ECN NO. 5081	REVISED PER ECN: 5385	BY: FV	MODEL(S) MODEL 1920/1920HPS/1920W
DRAWN: MJ	DATE: 02/13/17	CHKD.: VWC	PART NUMBER 0510000490.D
APPROVED: IR	DATE: 02/07/19	SCALE: N/A	DRAWING TYPE: INSTALLATION
		SIZE: A	SHEET 5 OF 6

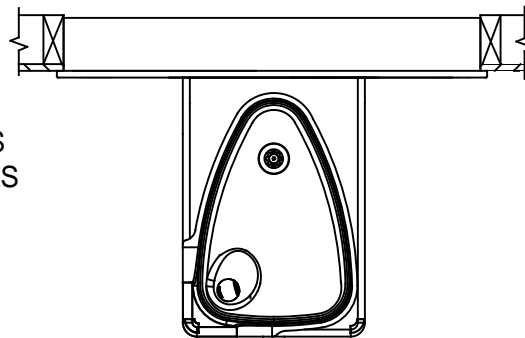



INSTALLATION ABOVE HAWS 1047



* IF YOUR FOUNTAIN IS THIS STYLE USE THESE DIMENSIONS

1. SEE SEPERATE INSTALLATION DRAWINGS FOR MOUNTING PLATES AND BACKPANELS
2. WHEN INSTALLING THIS UNIT, LOCAL, STATE OR FEDERAL CODES SHOULD BE ADHERED TO FOR INSTALLATION LOCATIONS, WASTE & SUPPLY REQUIREMENTS OTHER THAN SHOWN.



		1455 KLEPPE LANE SPARKS, NEVADA 89431 (775) 359-4712 FAX (775) 359-7424 E-MAIL: HAWS@HAWS.CO.COM WEBSITE: WWW.HAWS.CO.COM	
ECN NO. 5220	REVISED PER ECN: 5385	BY: FV	MODEL(S) MODEL 1920/1920HPS/1920W
DRAWN: JP	DATE: 09/14/17	CHKD.: VWC	PART NUMBER 0510000490.D
APPROVED: IR	DATE: 02/07/19	SCALE: N/A	REVISION 5
DRAWING TYPE: INSTALLATION		SHEET 5 OF 5	