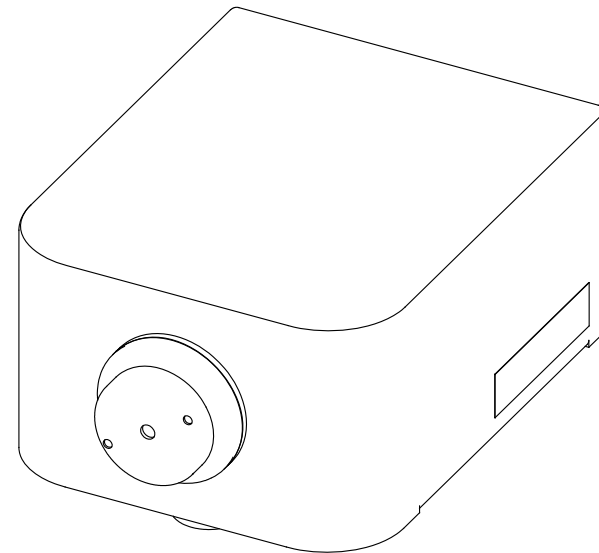
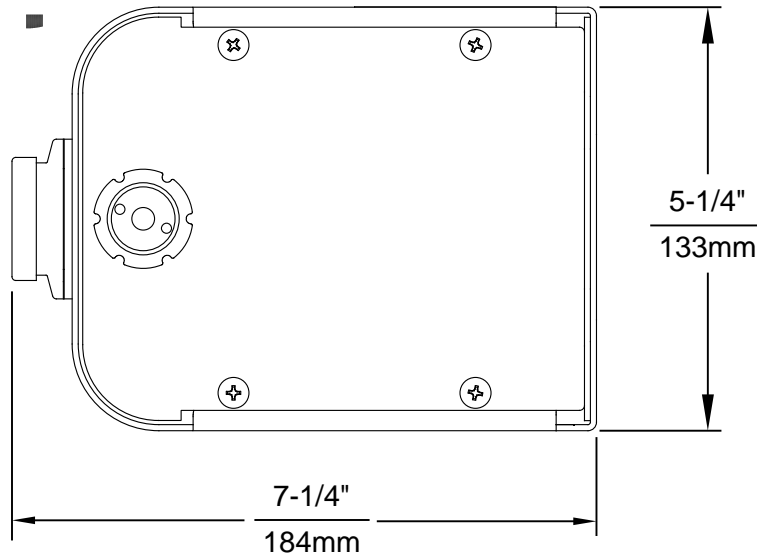


1920 MOUNTING HOLE LOCATIONS

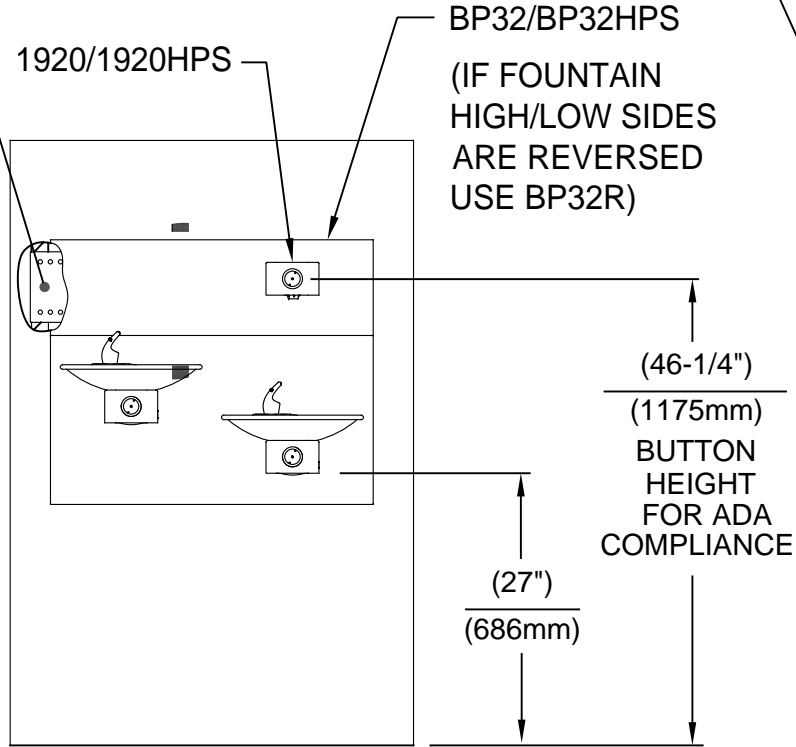


NOTES:

1. SEE SEPARATE INSTALLATION DRAWINGS FOR MOUNTING PLATES AND BACKPANELS
2. WHEN INSTALLING THIS UNIT, LOCAL, STATE OR FEDERAL CODES SHOULD BE ADHERED TO FOR INSTALLATION LOCATIONS, WASTE & SUPPLY REQUIREMENTS OTHER THAN SHOWN.

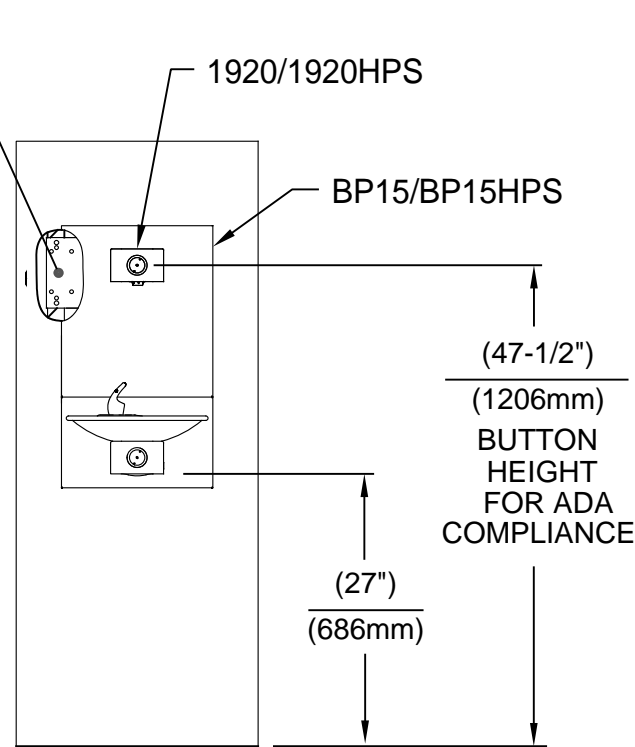
		1455 KLEPPE LANE SPARKS, NEVADA 89431 (775) 359-4712 FAX (775) 359-7424 E-MAIL: HAWS@HAWS.CO.COM WEBSITE: WWW.HAWS.CO.COM	
ECN NO. 5081	REVISED PER ECN: 5385	BY: FV	MODEL(S) MODEL 1920/1920HPS/1920W
DRAWN: DS	DATE: 05/25/16	CHKD.: VWG	PART NUMBER 0510000490.D
APPROVED: IR	DATE: 02/07/19	SCALE: N/A	REVISION 5
DRAWING TYPE: INSTALLATION		SIZE: A	SHEET 1 OF 6

6700.4L MOUNTING PLATE  
(BEHIND FINISH WALL)  
- OR -  
6700R RETROFIT PLATE  
(ON TOP OF FINISH WALL)

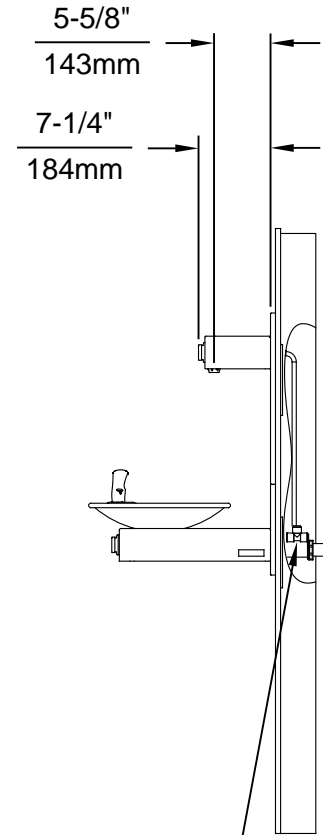


**INSTALLATION ABOVE HAWS 1011, 1011HPS, 1011HPSMS, 1011MS, H1011.8, H1011.8HO, H1011.8HPS**

6700 MOUNTING PLATE  
(BEHIND FINISH WALL)  
- OR -  
6700R RETROFIT PLATE  
(ON TOP OF FINISH WALL)



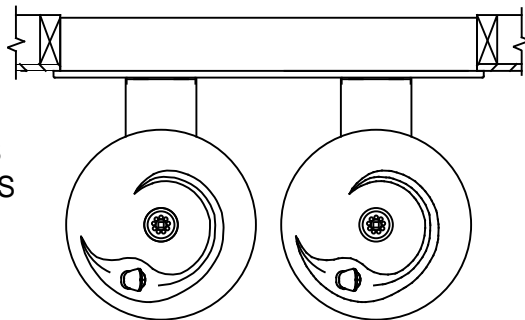
**INSTALLATION ABOVE HAWS 1001, 1001HPS, 1001HPSMS, 1001MS, H1001.8, H1001.8HPS**



3/8" O.D. SUPPLY TUBING AND 3/8" O.D. PUSH-IN TEE SUPPLIED. (CONNECT TO FOUNTAIN SUPPLY LINE)

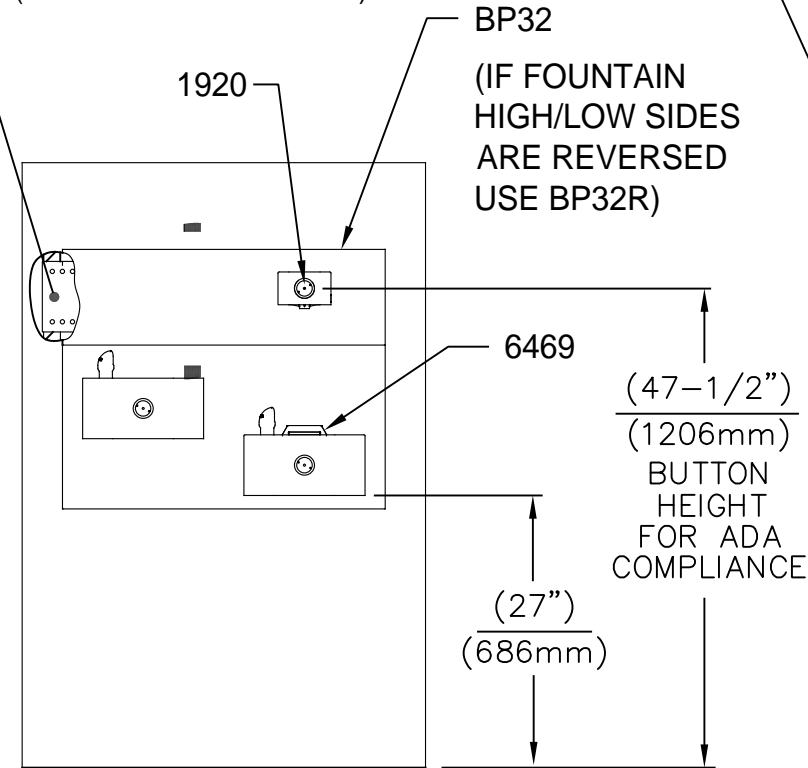
\* IF YOUR FOUNTAIN IS THIS STYLE USE THESE DIMENSIONS

1. SEE SEPARATE INSTALLATION DRAWINGS FOR MOUNTING PLATES AND BACKPANELS
2. WHEN INSTALLING THIS UNIT, LOCAL, STATE OR FEDERAL CODES SHOULD BE ADHERED TO FOR INSTALLATION LOCATIONS, WASTE & SUPPLY REQUIREMENTS OTHER THAN SHOWN.



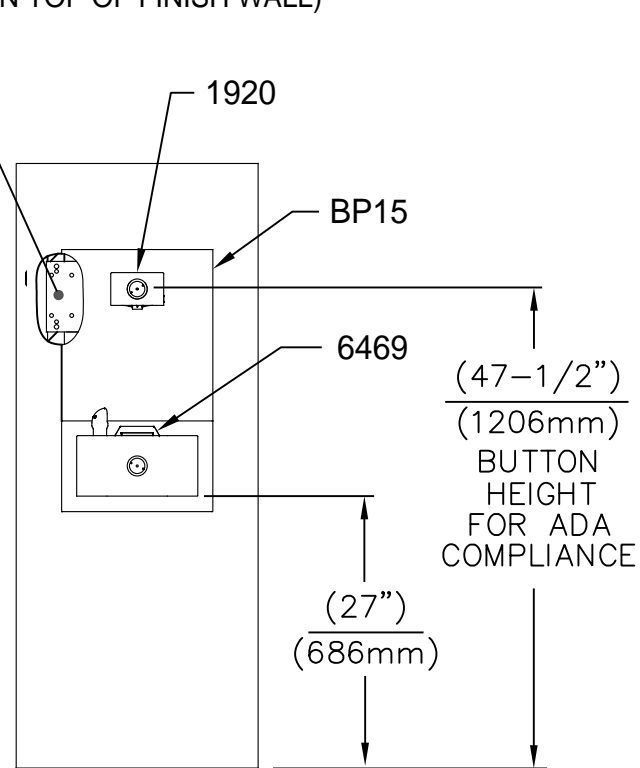
		1455 KLEPPE LANE SPARKS, NEVADA 89431 (775) 359-4712 FAX (775) 359-7424 E-MAIL: HAWS@HAWS.CO.COM WEBSITE: WWW.HAWS.CO.COM	
ECN NO. 5081	REVISED PER ECN: 5385	BY: FV	MODEL(S)
DRAWN: MJ	DATE: 01/30/17	CHKD: VWC	MODEL 1920/1920HPS/1920W
APPROVED: IR	DATE: 02/07/19	SCALE: N/A	DRAWING TYPE: INSTALLATION
PART NUMBER 051000490.D			REVISION 5
SHEET 2 OF 6			

6700.4L MOUNTING PLATE  
(BEHIND FINISH WALL)  
- OR -  
6700R RETROFIT PLATE  
(ON TOP OF FINISH WALL)

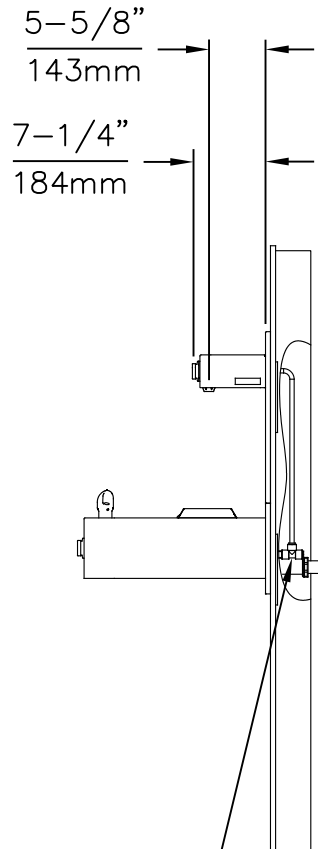


**INSTALLATION ABOVE HAWS 1119, 1119.14, H1119.8**

6700 MOUNTING PLATE  
(BEHIND FINISH WALL)  
- OR -  
6700R RETROFIT PLATE  
(ON TOP OF FINISH WALL)



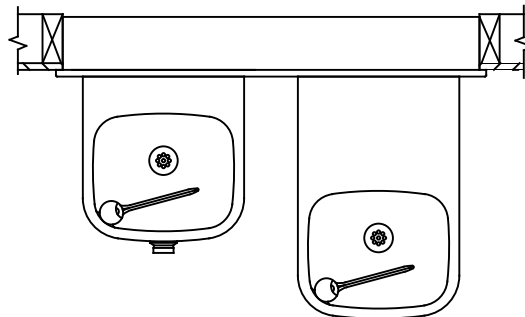
**INSTALLATION ABOVE HAWS 1109,  
1109.14, H1109.8**




3/8" O.D. SUPPLY  
TUBING AND 3/8" O.D.  
PUSH-IN TEE SUPPLIED.  
(CONNECT TO FOUNTAIN  
SUPPLY LINE)

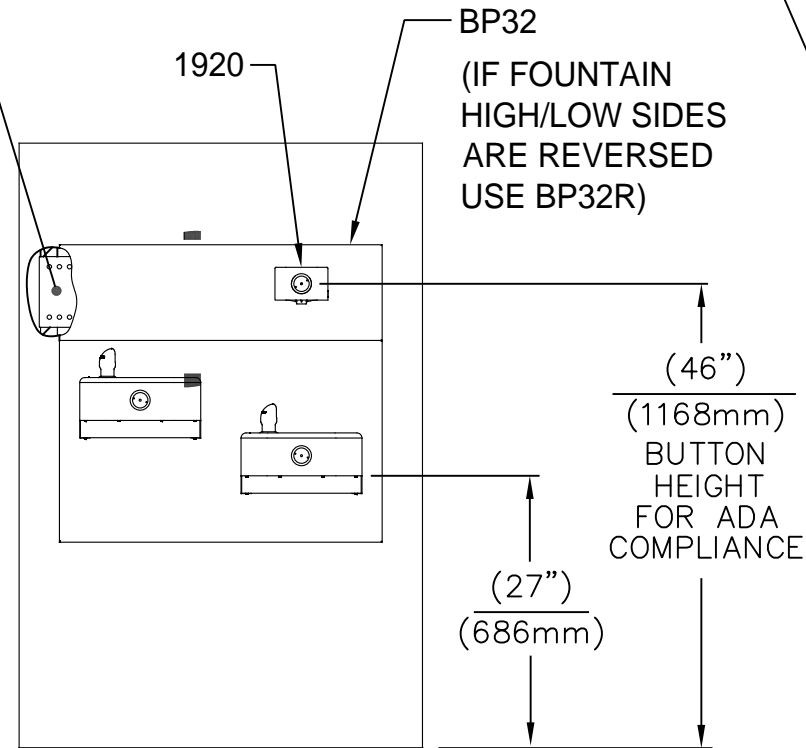
\* IF YOUR FOUNTAIN IS THIS STYLE USE  
THESE DIMENSIONS

1. SEE SEPARATE INSTALLATION DRAWINGS FOR MOUNTING PLATES, BACKPANELS & DRIP TRAY
2. WHEN INSTALLING THIS UNIT, LOCAL, STATE OR FEDERAL CODES SHOULD BE ADHERED TO FOR INSTALLATION LOCATIONS, WASTE & SUPPLY REQUIREMENTS OTHER THAN SHOWN.



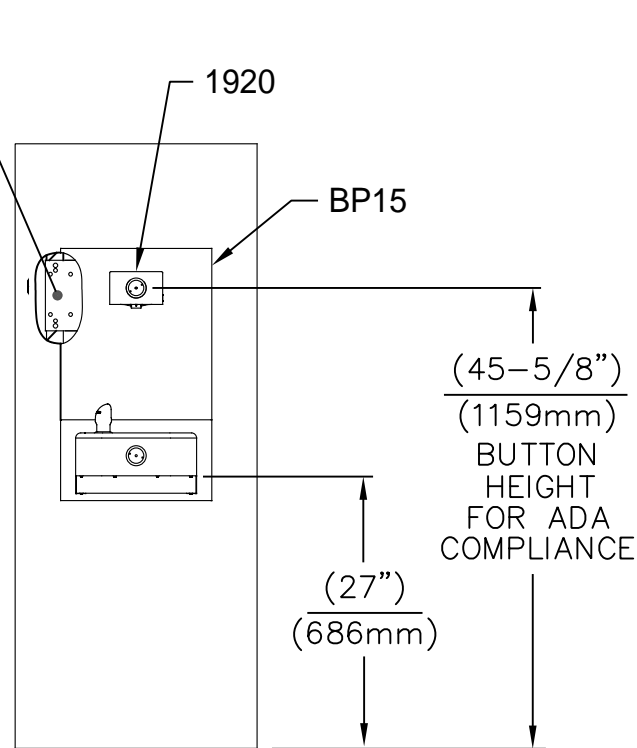
		1455 KLEPPE LANE SPARKS, NEVADA 89431 (775) 359-4712 FAX (775) 359-7424 E-MAIL: HAWS@HAWS.CO.COM WEBSITE: WWW.HAWS.CO.COM	
ECN NO. 5081	REVISED PER ECN: 5385	BY: FV	MODEL(S)
DRAWN: MJ	DATE: 01/30/17	CHKD.: VWC	MODEL 1920/1920HPS/1920W
APPROVED: IR	DATE: 02/07/19	SCALE: N/A	DRAWING TYPE: INSTALLATION
			PART NUMBER: 0510000490.D
			REVISION: 5
			SHEET 3 OF 6

6700.4L MOUNTING PLATE  
(BEHIND FINISH WALL)  
- OR -  
6700R RETROFIT PLATE  
(ON TOP OF FINISH WALL)

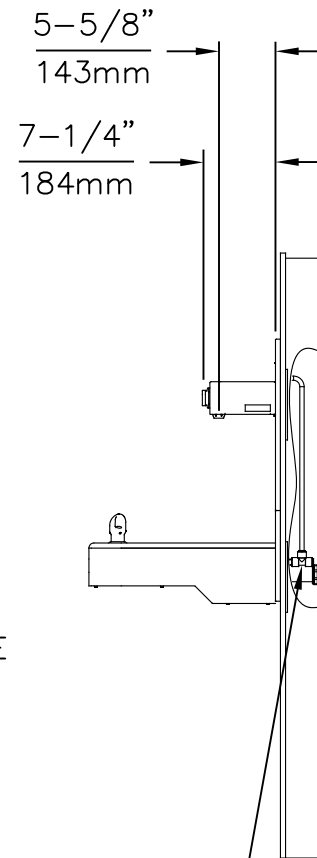


**INSTALLATION ABOVE HAWS 1117L, H1117.8**

6700 MOUNTING PLATE  
(BEHIND FINISH WALL)  
- OR -  
6700R RETROFIT PLATE  
(ON TOP OF FINISH WALL)



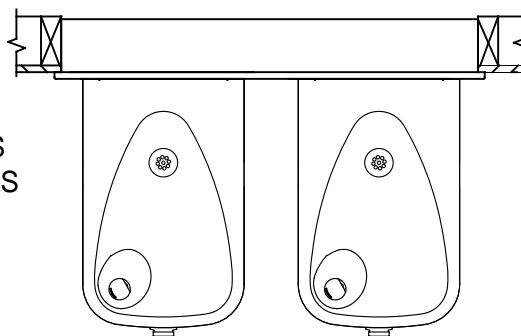
**INSTALLATION ABOVE HAWS 1107L, H1107.8**



3/8" O.D. SUPPLY  
TUBING AND 3/8" O.D.  
PUSH-IN TEE SUPPLIED.  
(CONNECT TO FOUNTAIN  
SUPPLY LINE)

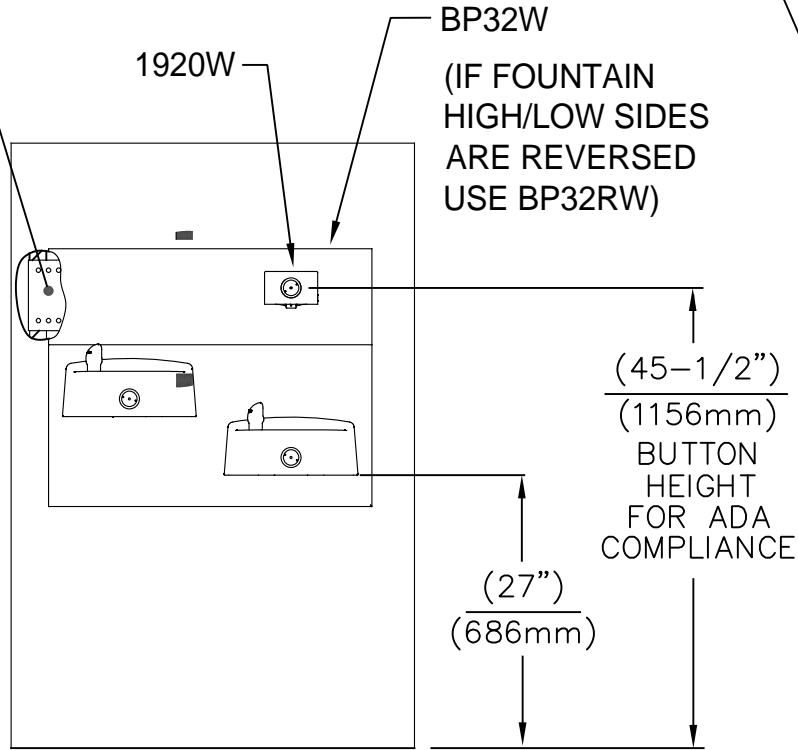
\* IF YOUR FOUNTAIN IS THIS STYLE USE THESE DIMENSIONS

1. SEE SEPARATE INSTALLATION DRAWINGS FOR MOUNTING PLATES AND BACKPANELS
2. WHEN INSTALLING THIS UNIT, LOCAL, STATE OR FEDERAL CODES SHOULD BE ADHERED TO FOR INSTALLATION LOCATIONS, WASTE & SUPPLY REQUIREMENTS OTHER THAN SHOWN.



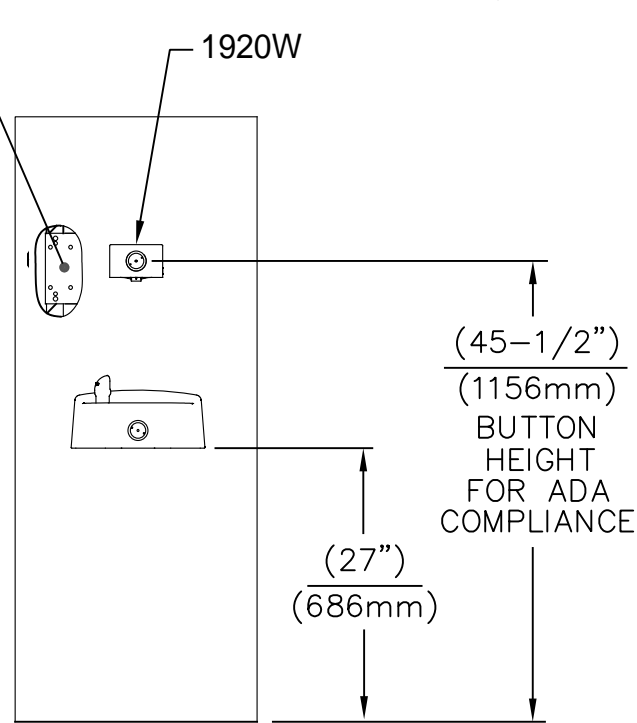
		1455 KLEPPE LANE SPARKS, NEVADA 89431 (775) 359-4712 FAX (775) 359-7424 E-MAIL: HAWS@HAWSCO.COM WEBSITE: WWW.HAWSCO.COM	
ECN NO. 5081	REVISED PER ECN: 5385	BY: FV	MODEL(S) MODEL 1920/1920HPS/1920W
DRAWN: MJ	DATE: 01/30/17	CHKD.: VWC	PART NUMBER 0510000490.D
APPROVED: IR	DATE: 02/07/19	SCALE: N/A	REVISION 5
DRAWING TYPE: INSTALLATION		SIZE: A	SHEET 4 OF 6

6700.4L MOUNTING PLATE  
(BEHIND FINISH WALL)  
- OR -  
6700R RETROFIT PLATE  
(ON TOP OF FINISH WALL)

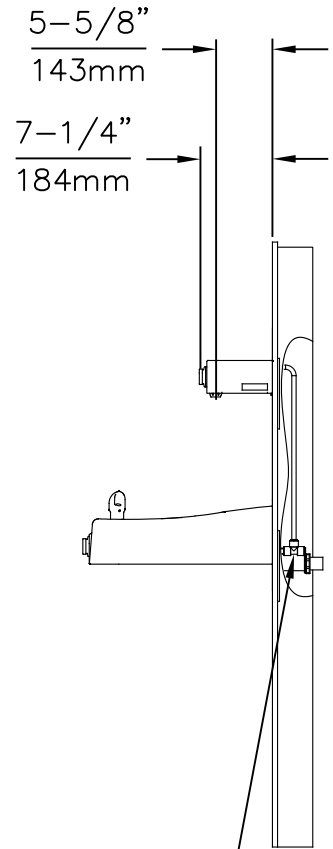


**INSTALLATION ABOVE HAWS 1501**

6700 MOUNTING PLATE  
(BEHIND FINISH WALL)  
- OR -  
BOLT 1920 ONTO EXISTING WALL  
(MOUNTING HARDWARE ONLY SUPPLIED  
WITH 6700 SERIES MOUNTING PLATES)

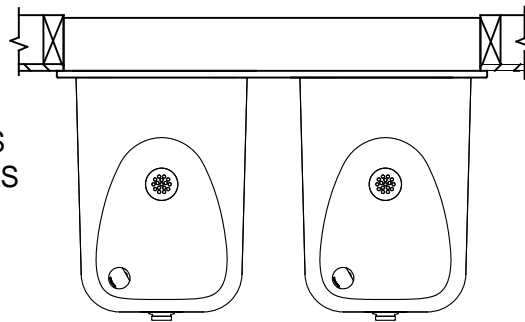



**INSTALLATION ABOVE HAWS 1311**

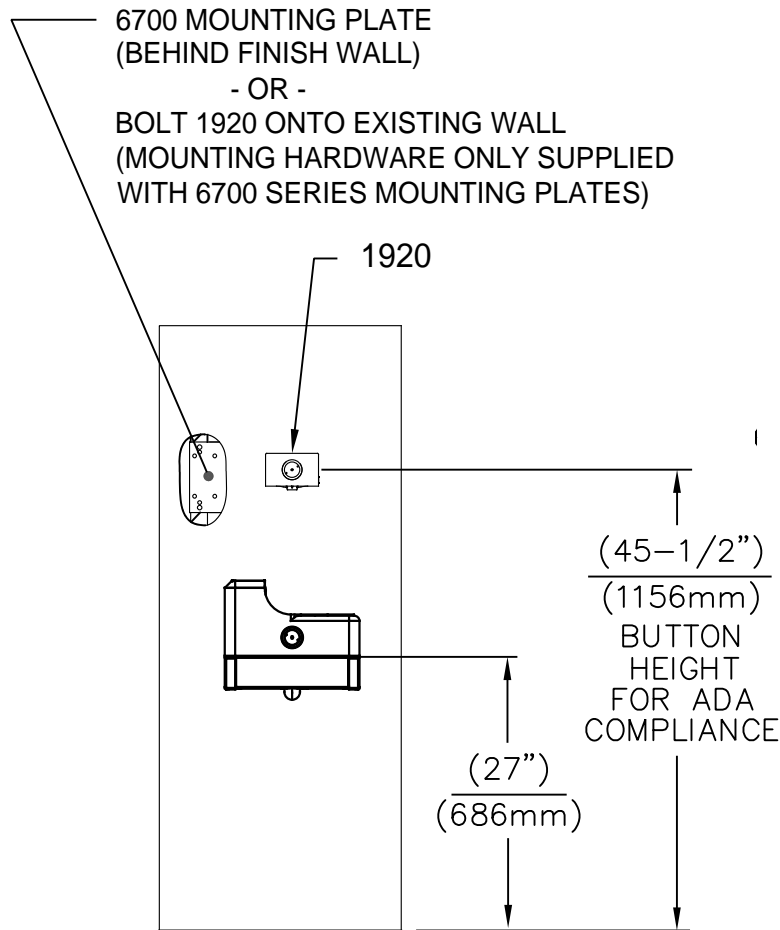


\* IF YOUR FOUNTAIN IS THIS STYLE USE  
THESE DIMENSIONS

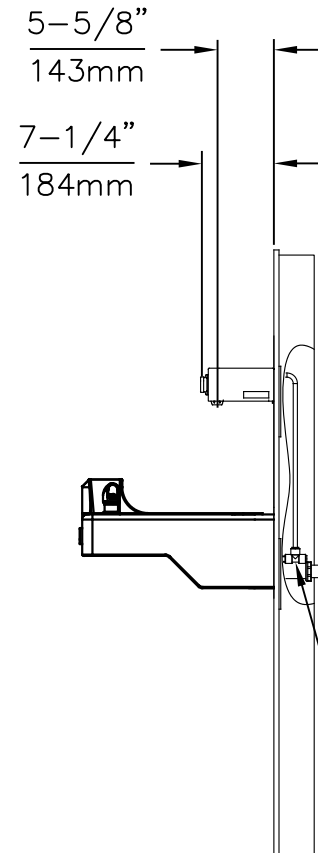
1. SEE SEPERATE INSTALLATION DRAWINGS FOR MOUNTING PLATES AND BACKPANELS
2. WHEN INSTALLING THIS UNIT, LOCAL, STATE OR FEDERAL CODES SHOULD BE ADHERED TO FOR INSTALLATION LOCATIONS, WASTE & SUPPLY REQUIREMENTS OTHER THAN SHOWN.



		1455 KLEPPE LANE SPARKS, NEVADA 89431 (775) 359-4712 FAX (775) 359-7424 E-MAIL: HAWS@HAWS.CO.COM WEBSITE: WWW.HAWS.CO.COM	
ECN NO. 5081	REVISED PER ECN: 5385	BY: FV	MODEL(S) MODEL 1920/1920HPS/1920W
DRAWN: MJ	DATE: 02/13/17	CHKD.: VWC	PART NUMBER 0510000490.D
APPROVED: IR	DATE: 02/07/19	SCALE: N/A	DRAWING TYPE: INSTALLATION REVISION 5
		SIZE: A	SHEET 5 OF 6

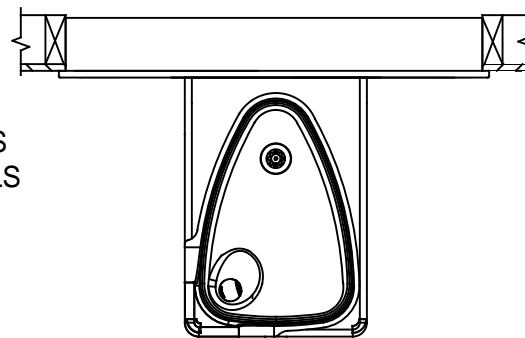


**INSTALLATION ABOVE HAWS 1047**



3/8" O.D. SUPPLY  
TUBING AND 3/8" O.D.  
PUSH-IN TEE SUPPLIED.  
(CONNECT TO FOUNTAIN  
SUPPLY LINE)

\* IF YOUR FOUNTAIN IS THIS STYLE USE  
THESE DIMENSIONS



1. SEE SEPERATE INSTALLATION DRAWINGS FOR MOUNTING PLATES AND BACKPANELS
2. WHEN INSTALLING THIS UNIT, LOCAL, STATE OR FEDERAL CODES SHOULD BE ADHERED TO FOR INSTALLATION LOCATIONS, WASTE & SUPPLY REQUIREMENTS OTHER THAN SHOWN.

		1455 KLEPPE LANE SPARKS, NEVADA 89431 (775) 359-4712 FAX (775) 359-7424 E-MAIL: HAWS@HAWSCO.COM WEBSITE: WWW.HAWSCO.COM	
ECN NO. 5220	REVISED PER ECN: 5385	BY: FV	MODEL(S) MODEL 1920/1920HPS/1920W
DRAWN: JP	DATE: 09/14/17	CHKD.: VWC	PART NUMBER 0510000490.D
APPROVED: IR	DATE: 02/07/19	SCALE: N/A	REVISION 5
DRAWING TYPE: INSTALLATION		SIZE: A	SHEET 5 OF 5