



# model HCR8

Remote Drinking Fountain Water chiller

## FEATURES & BENEFITS

### CONSTRUCTION

Constructed of heavy gauge galvanized steel, its compact style can be concealed under a counter, and between or within walls.

### CHILLED WATER

Efficient compact design provides 8 gallons (30.3 L) per hour of 50° F (10° C) cold water to a wide variety of fountains.

## OPTIONS

- Shelf: Model H7149MS, mounting shelf for remote chillers.

For more information, visit [www.hawsc.com](http://www.hawsc.com) or call (888) 640-4297.

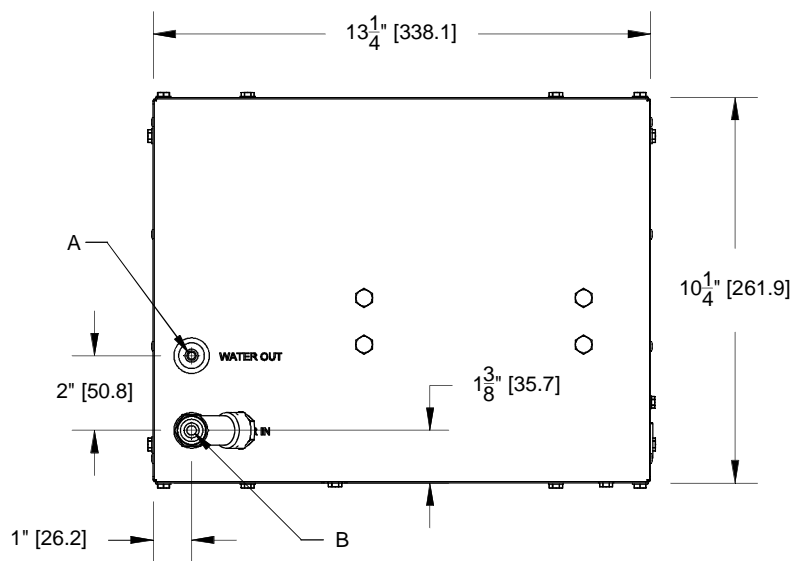


## SPECIFICATIONS

Model HCR8 remote chiller is a hermetically sealed R-134a refrigeration system and is capable of supplying water to a maximum of 2 bubbler stations and is designed to provide 8 gph (30.3 L) of water at 50° F (10° C) +/- 5°. The unit is rated at 115V, 60Hz, and 5 amps.

## APPLICATIONS

This remote chiller can provide 8 gallons per hour of 50° F +/- 5° cold water to a wide variety of fountains. Specifically, this type chiller may be used in conjunction with a fountain in settings such as: schools, office buildings, shopping malls, and other indoor environments where there is a demand for a chilled water source. Electric water coolers are not recommended or designed for outdoor applications or enclosed pool areas (chlorine). These conditions may void warranty. Haws electric water chiller is certified to NSF/ANSI Standard 61, Section 9, comply with ARI Standard 1010, and is listed by Underwriter Laboratories to U.S. and Canadian standards.



CALLOUT LEGEND	
A	1/4" OD WATER OUTLET
B	3/8" OD WATER INLET
C	TEMPERATURE CONTROL
D	JUNCTION BOX
E	ELECTRICAL WIRING OPENING

FIG. 2

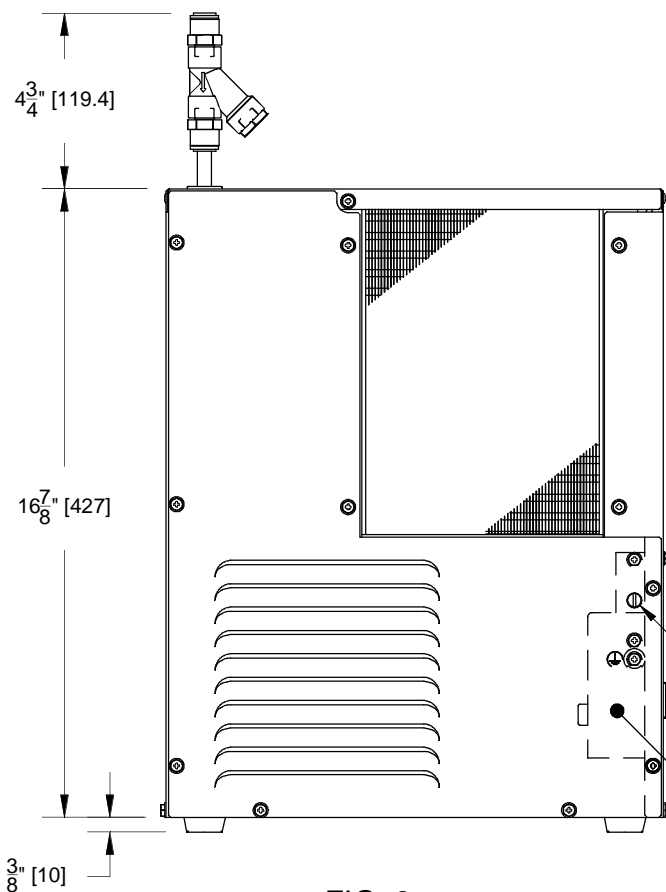


FIG. 3

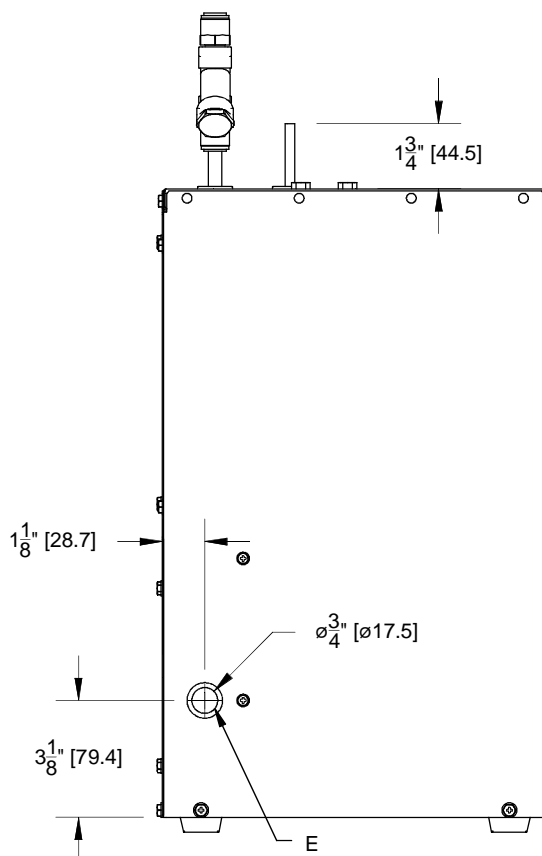


FIG. 4

		<b>Haws</b> <sup>®</sup>		1455 KLEPPE LANE SPARKS, NEVADA 89431 (775) 359-4712 FAX (775) 359-7424 E-MAIL: HAWS@HAWS.CO.COM WEBSITE: WWW.HAWS.CO.COM	
		ECN NO: 4997 DRAWN: WWC APPROVED: FV	REVISED PER: HM ECN: 5099 DATE: 01/25/16 DATE: 06/23/16	MODEL(S)  HCR8 REMOTE CHILLER	PART NUMBER 0580000134.D REVISION 3
SCALE: NA		DRAWING TYPE: INSTALLATION		SIZE: A SHEET 1 OF 2	

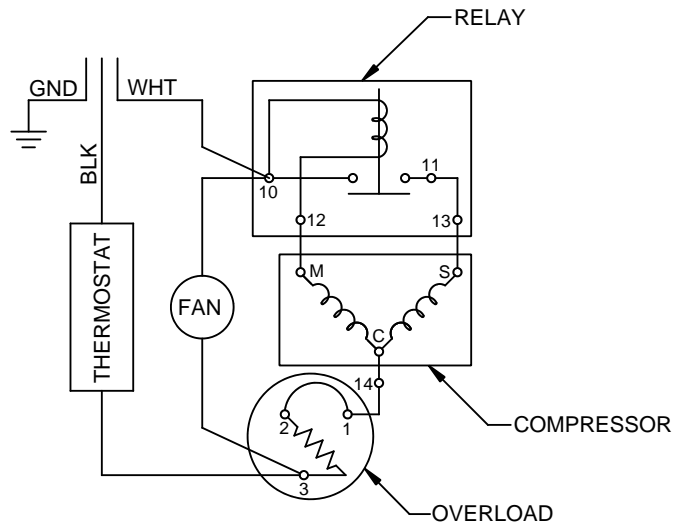


FIG. 5  
WIRING DIAGRAM

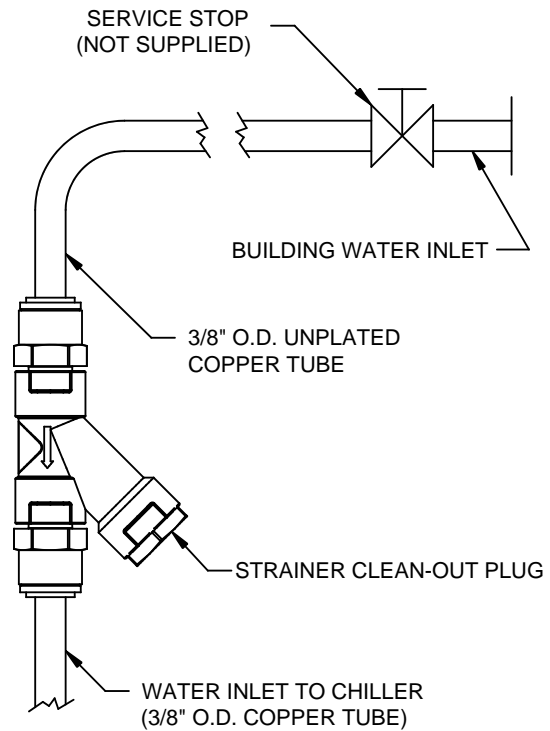


FIG. 6  
WATER CONNECTION DIAGRAM

 <b>Haws</b> <sup>®</sup>			1455 KLEPPE LANE SPARKS, NEVADA 89431 (775) 359-4712 FAX (775) 359-7424 E-MAIL: HAWS@HAWSO.COM WEBSITE: WWW.HAWSO.COM		
			ECN NO. 4997	REVISED PER ECN: 5099	BY HM
DRAWN VWC	DATE 01/25/16	CHKD DP	APPROVED FV	DATE 06/23/16	REVISION 3
SCALE: NA			DRAWING TYPE:	INSTALLATION	SIZE: A SHEET 2 OF 2