



# model 6470

Surface-Mount Bottle Filler Drain Kit

## FEATURES & BENEFITS

---

## OPTIONS

---

For more information, visit [www.hawesco.com](http://www.hawesco.com) or call (888) 640-4297.



## SPECIFICATIONS

---

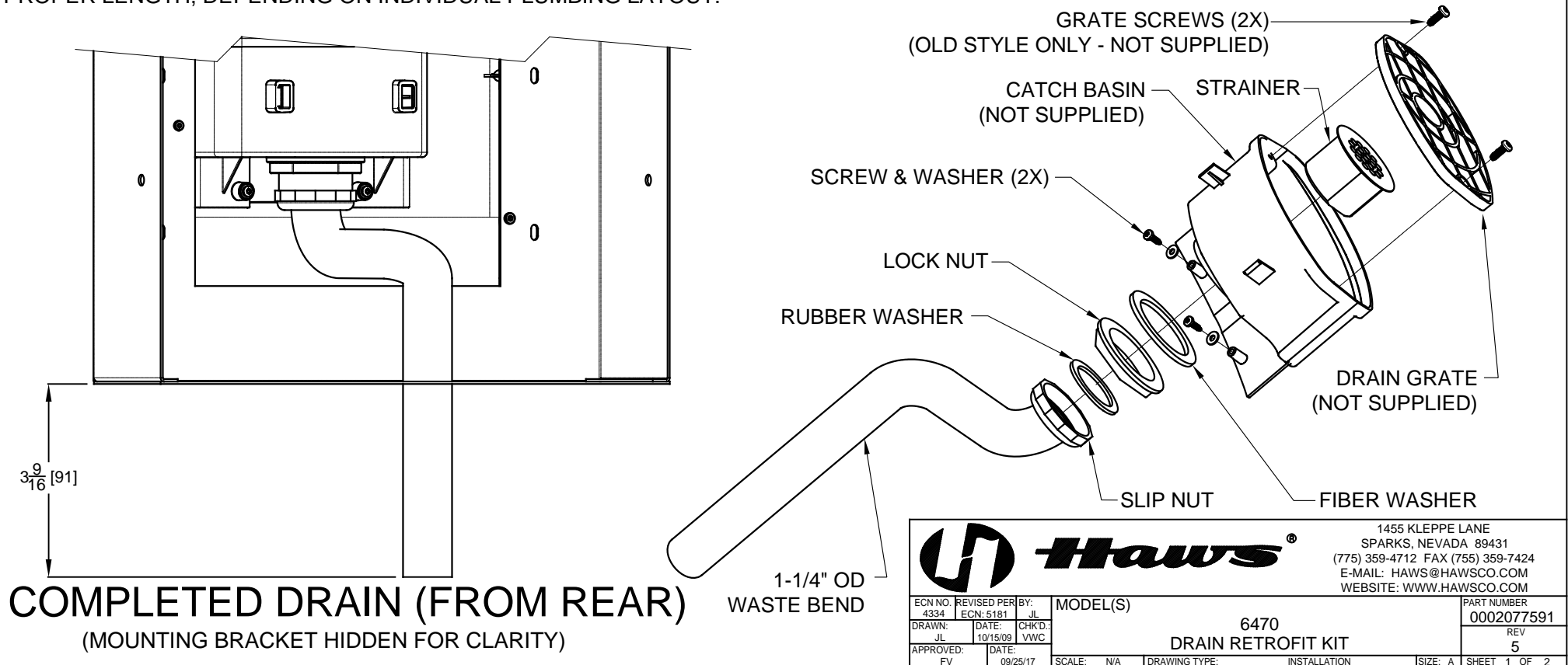
This drain kit allows the 2000SMS to be plumbed to a waste outlet. Drain kit includes waste strainer and 1-1/4" (3.2 cm) OD tailpiece and all accompanying washers/nuts to attach strainer to tailpiece. A trap will not be included. Current design of the drain trays allows for pop-out of drain kit assembly.

## APPLICATIONS

---

**NOTES:**

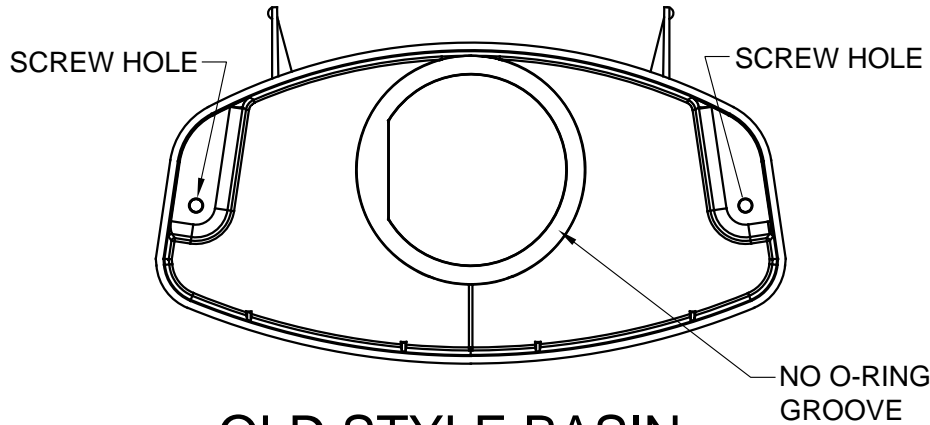
1. REMOVE THE BOTTLE FILLER FROM ITS MOUNTING BRACKET (DISCONNECT ALL WATER AND POWER; UNBOLT THE FOUR SCREWS ON THE TOP AND SIDES) AND REMOVE THE LARGE HOLE PLUG FROM THE BOTTOM. PULL THE DRAIN BASIN OUT OF THE UNIT.
2. REMOVE THE DRAIN GRATE FROM THE DRAIN BASIN. KNOCK OUT THE CENTER D-HOLE IN THE BOTTOM OF THE DRAIN BASIN. IF NECESSARY, REMOVE EXCESS MATERIAL FROM EDGES OF D-HOLE WITH A KNIFE.
3. SEE SHEET 2 FOR DETAIL ON SEALING THE SUPPLIED WASTE STRAINER INTO THE DRAIN BASIN.
4. SLIDE THE SUPPLIED FIBER WASHER OVER THREADS OF THE STRAINER. SCREW THE SUPPLIED LOCK NUT ONTO THE STRAINER AND TIGHTEN UNTIL THE TOP SURFACE OF THE STRAINER IS FLUSH WITH THE BOTTOM OF THE DRAIN BASIN.
5. REPLACE THE DRAIN GRATE INTO THE DRAIN BASIN.
6. SLIDE THE SUPPLIED SLIP NUT ALL THE WAY UP THE 1-1/4" OD WASTE BEND AND, WITH THE SUPPLIED RUBBER WASHER IN BETWEEN THE WASTE BEND AND THE WASTE STRAINER, TIGHTEN THE SLIP NUT ONTO THE STRAINER.
7. RETURN THE DRAIN BASIN INTO ITS PLACE IN THE UNIT. IT IS RECOMMENDED THAT THE SUPPLIED WASHERS AND SCREWS BE USED TO SECURE THE DRAIN BASIN INTO THE UNIT.
8. **AUTO-PURGE OPTION:** IF DESIRED, THE UNIT MAY BE SET TO PURGE ITSELF EVERY 24 HOURS OF NON-USE. REMOVE THE COVER FROM THE CIRCUIT BOARD ENCLOSURE INSIDE THE BOTTLE FILLER AND DO ONE OF THE FOLLOWING:  
 FOR MODEL 2000SM: TOGGLE DIP SWITCH #4 ON THE CIRCUIT BOARD DOWN. REPLACE THE COVER.  
 FOR ALL OTHER MODELS: TOGGLE "NO PURGE" DIP SWITCH TO "OFF" POSITION.
9. RE-INSTALL THE BOTTLE FILLER ONTO THE WALL. THE WASTE BEND WILL PROTRUDE OUT THE BOTTOM; IT MAY NEED TO BE CUT TO THE PROPER LENGTH, DEPENDING ON INDIVIDUAL PLUMBING LAYOUT.



**COMPLETED DRAIN (FROM REAR)**  
(MOUNTING BRACKET HIDDEN FOR CLARITY)

		1455 KLEPPE LANE SPARKS, NEVADA 89431 (775) 359-4712 FAX (775) 359-7424 E-MAIL: HAWS@HAWSCO.COM WEBSITE: WWW.HAWSCO.COM	
ECN NO. 4334 DRAWN: JL APPROVED: FV	REVISED PER: JL ECN: 5181 DATE: 10/15/09 DATE: 09/25/17	MODEL(S)  6470 DRAIN RETROFIT KIT	PART NUMBER 0002077591 REV 5
SCALE: N/A	DRAWING TYPE: INSTALLATION	SIZE: A	SHEET 1 OF 2

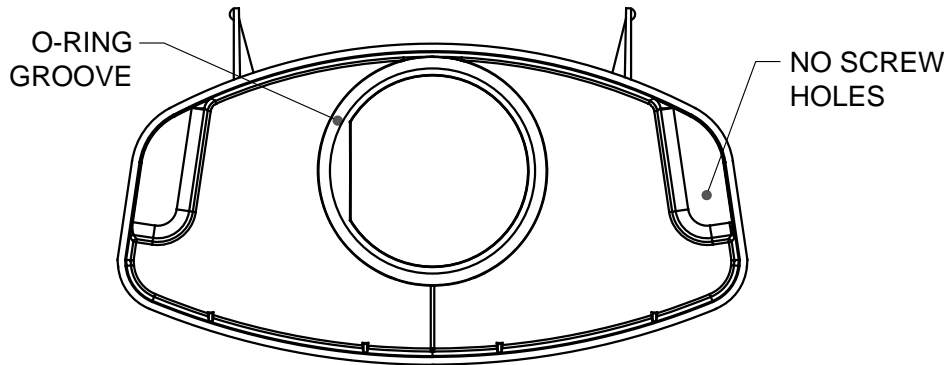
## DRAIN STRAINER SEALING 3



### OLD STYLE BASIN

USE PLUMB GUM (NOT SUPPLIED) TO SEAL

APPLY PLUMB GUM OR PLUMBER'S PUTTY (NOT SUPPLIED) AROUND THE BEVELED FLANGE OF THE STRAINER. INSERT THE STRAINER INTO THE D-HOLE OF THE DRAIN BASIN SUCH THAT THE THREADED PORTION PROTRUDES FROM THE BOTTOM.

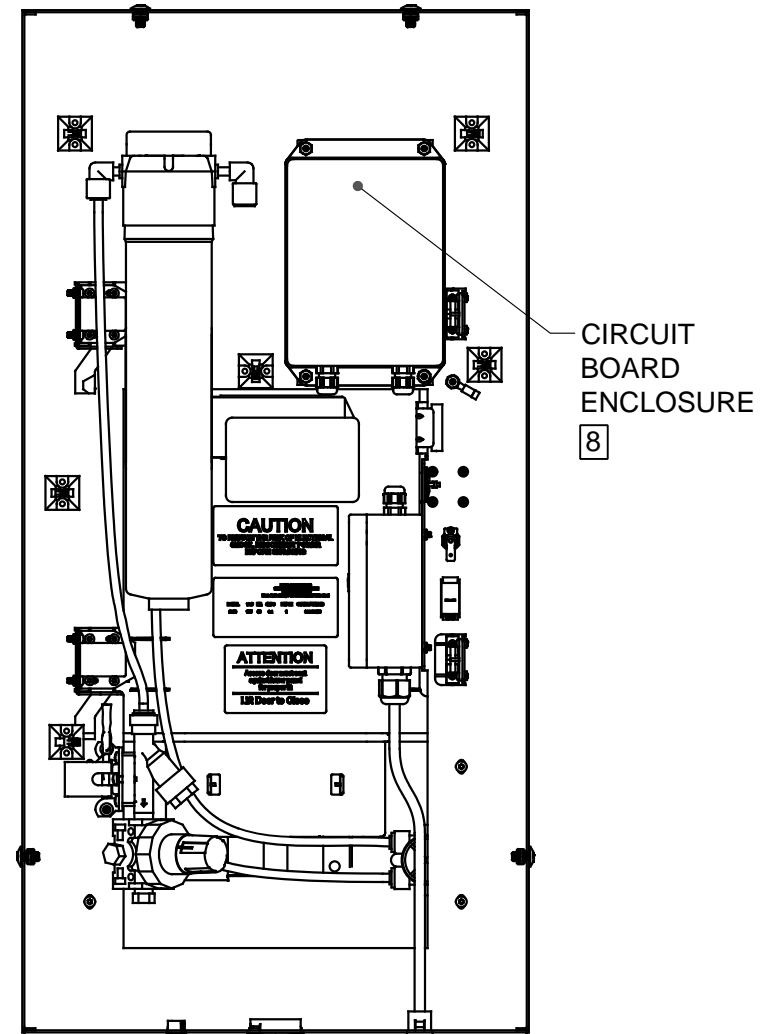


### NEW STYLE BASIN

USE SUPPLIED O-RING TO SEAL

COAT SUPPLIED O-RING WITH DOW CORNING 111 SILICONE (SUPPLIED). PLACE O-RING INTO INDICATED GROOVE ON THE DRAIN BASIN. INSERT THE STRAINER INTO THE D-HOLE OF THE BASIN SUCH THAT THE THREADED PORTION PROTRUDES FROM THE BOTTOM.

## BOTTLE FILLER (REAR VIEW)



		<b>Haws</b> <sup>®</sup>		1455 KLEPPE LANE	
				SPARKS, NEVADA 89431	
ECN NO. 4334		REVISED PER ECN: 5181	BY: JL	PART NUMBER	
DRAWN: JL	DATE: 10/15/09	CHKD.: VWC	6470		0002077591
APPROVED: FV		DATE: 09/25/17	DRAIN RETROFIT KIT		REV 5
SCALE: N/A		DRAWING TYPE: INSTALLATION	SIZE: A		SHEET 2 OF 2