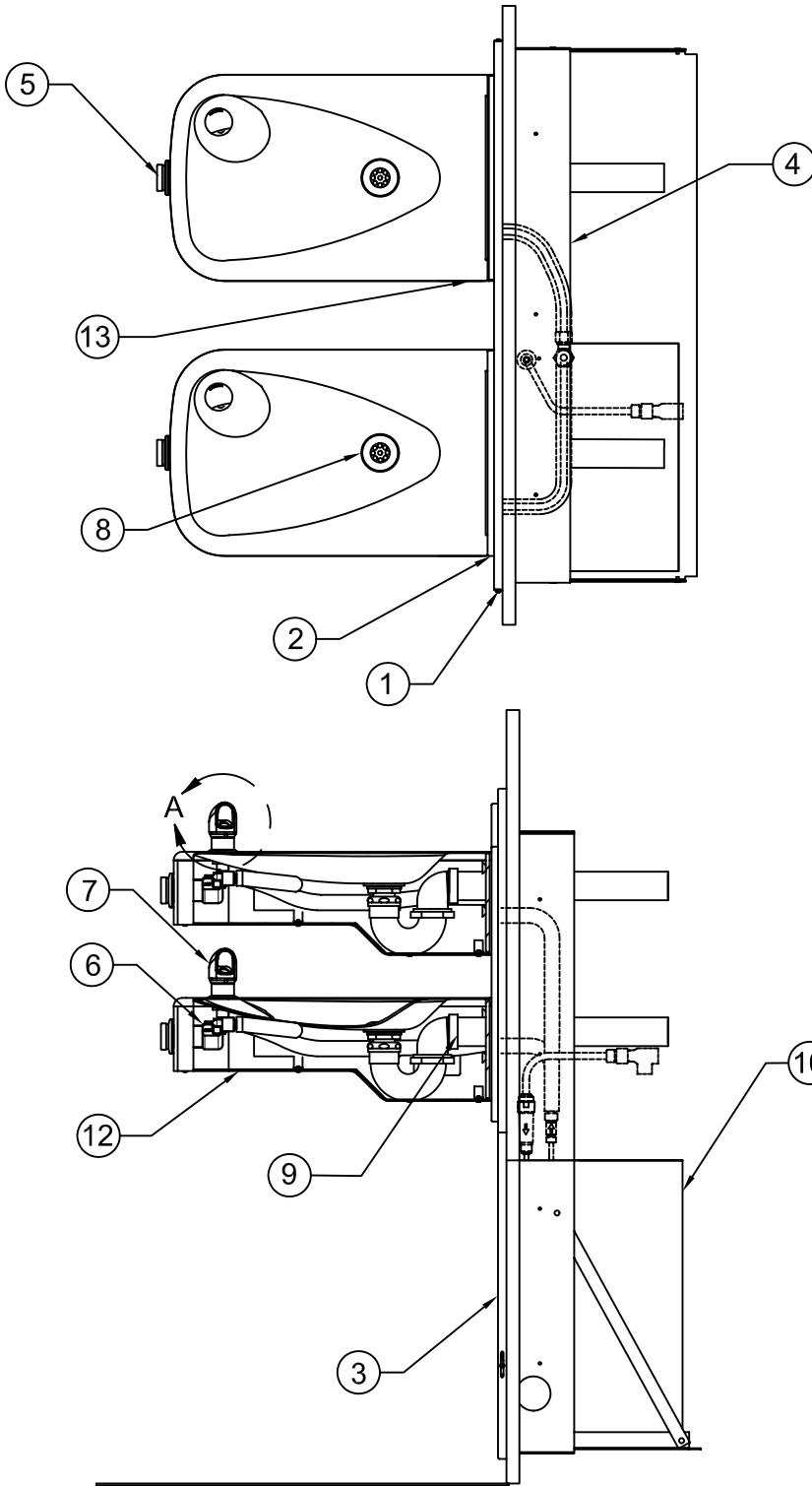
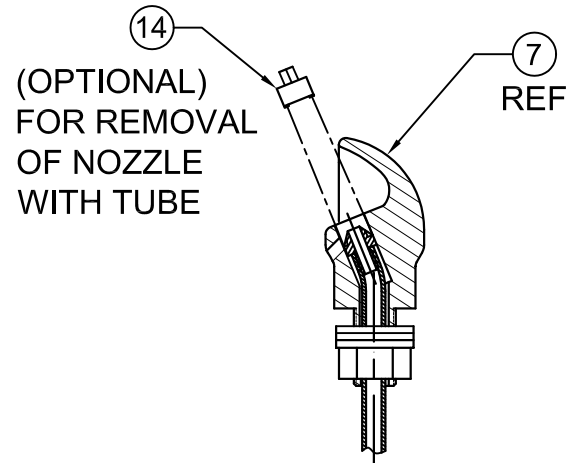


# PARTS BREAKDOWN

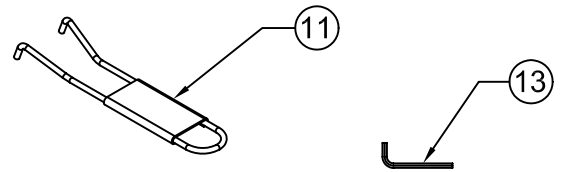
ITEM	DESCRIPTION
1	BACK PANEL P/N 0004023590
2	SMALL BACK PANEL P/N 0004023587
3	GRILLE 1117L P/N 0002626600
4	MOUNTING FRAME MTGFR.17
5	BUTTON PBA6
6	VALVE 5874SS
7	BUBBLER HEAD 5703M
8	STRAINER ASSY 6462
9	TRAP 0005982900
10	REMOTE CHILLER HCR8
11	SPANNER WRENCH P/N 0006983506
12	BOTTOM PLATE P/N 0004449315
13	KEY HEX F/PINNED HEX 0002981127
14	DRIVER, NOZZLE .25 HEX 0002082253




OPTIONAL



DETAIL A  
ROTATED 90° CW



 <b>Haws</b> <sup>®</sup>		1455 KLEPPE LANE SPARKS, NEVADA 89431 (775) 359-4712 FAX (775) 359-7424 E-MAIL: HAWS@HAWSCO.COM WEBSITE: WWW.HAWSCO.COM	
		ECN NO. REVISED PER BY: MODEL(S) ECN: 4003 HM H1117.8	PART NUMBER: 0002080215
DRAWN: C. FENNER DATE: 10/25/06 APPROVED:	DATE: CHKD.: DATE:	DRAWING NO.: 15273A00	REV. 9
SCALE: 1:1		DRAWING TYPE: PARTS BREAKDOWN	SIZE: A SHEET 1 OF 1

**WHEN ORDERING PARTS PLEASE SPECIFY YOUR MODEL NUMBER**