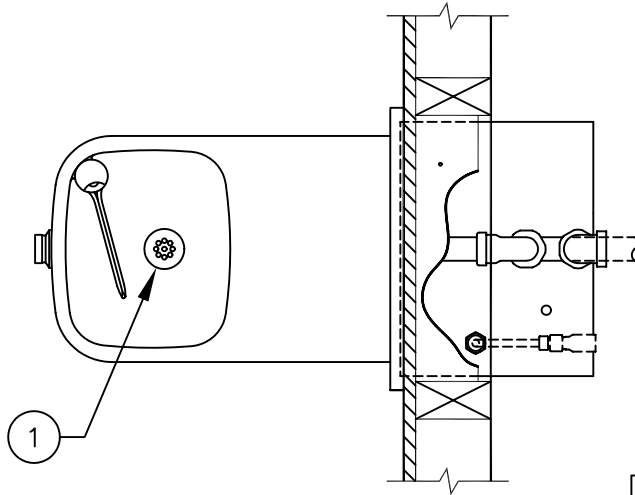
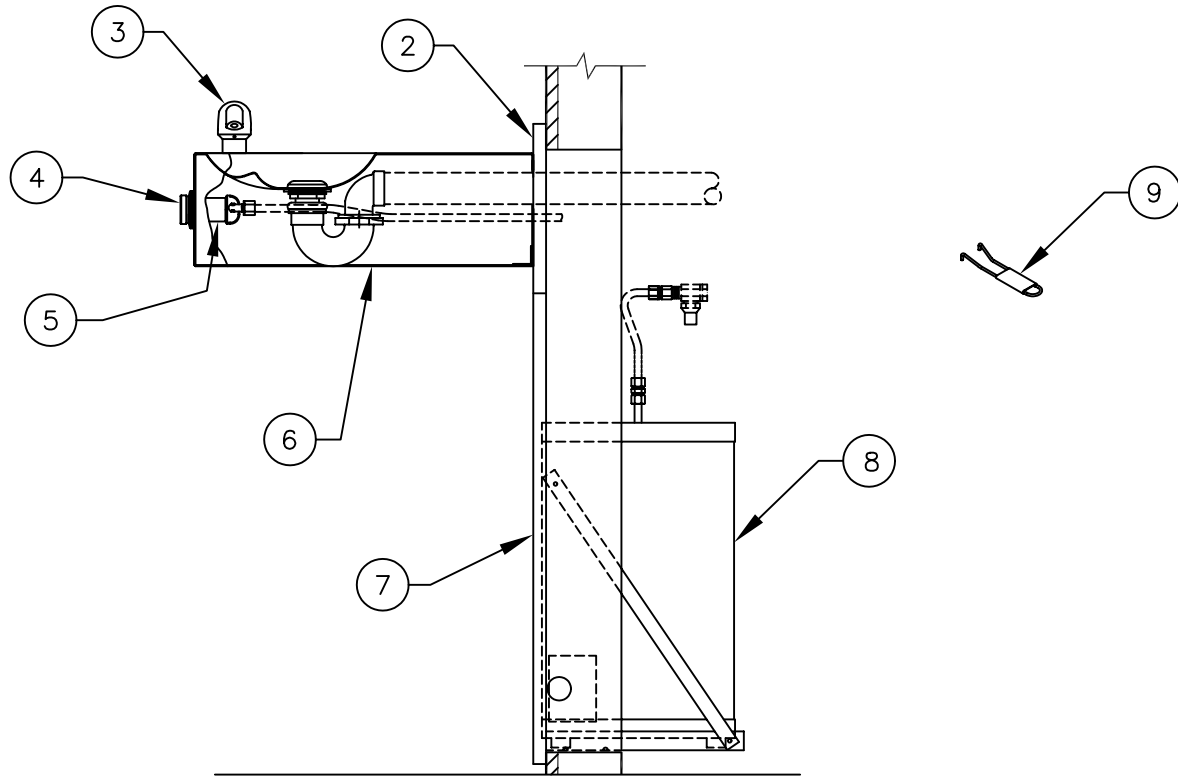


ITEM	DESCRIPTION
1	STRAINER ASSY 6462
2	BACK PANEL BP3
3	BUBBLER HEAD 5703M
4	PUSH BUTTON ASSY PBA6
5	VALVE 5874
6	BOTTOM PLATE PBM1109
7	MOUNTING FRAME MTGFR.SM
8	CHILLER HCR8
9	SPANNER WRENCH P/N 0006983506

# PARTS BREAKDOWN



WHEN ORDERING PARTS PLEASE SPECIFY YOUR MODEL NUMBER



REV	DESCRIPTION	ECN	DATE	BY/APVD
5	UPDATED PER ECN	3361	3/5/03	DDD
4	UPDATED PER ECN	3117	2/6/02	RH
3	UPDATED PER ECN	3050	11/5/01	RH
2	UPDATED PER ECN	3022	3/12/01	FV
1	UPDATED PER ECN	2845	4/6/00	PM
0	RELEASED PER ECN	2435	8/25/98	FV

REVISIONS

**Haws**  
corporation

1455 KLEPPE LANE | BACHWEG 3  
SPARKS, NEVADA | CH3401 BURGDORF  
SWITZERLAND

DRAWN BY: F. VASQUEZ	DATE: 8 /25/98	CHECK BY:	APP'D BY:	SCALE: N/A
TITLE: MODEL H1109.8		PART NUMBER: 0002080252		
DRAWING TYPE: PARTS BREAKDOWN		DRAWING NUMBER: 13370C00		REV: 5