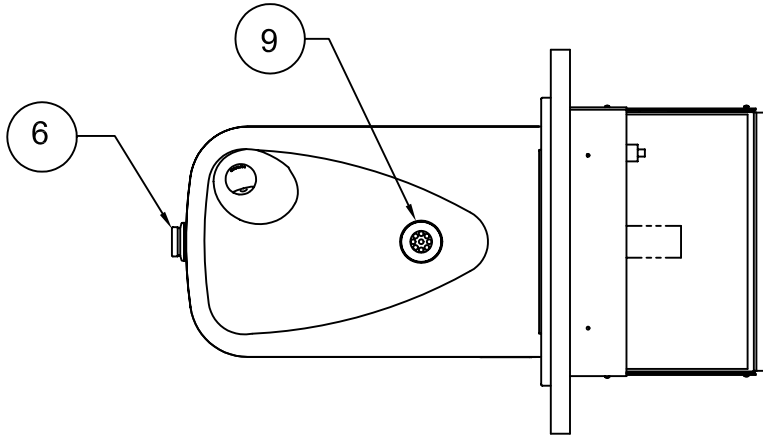
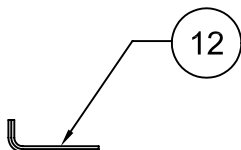
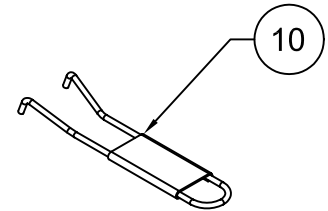
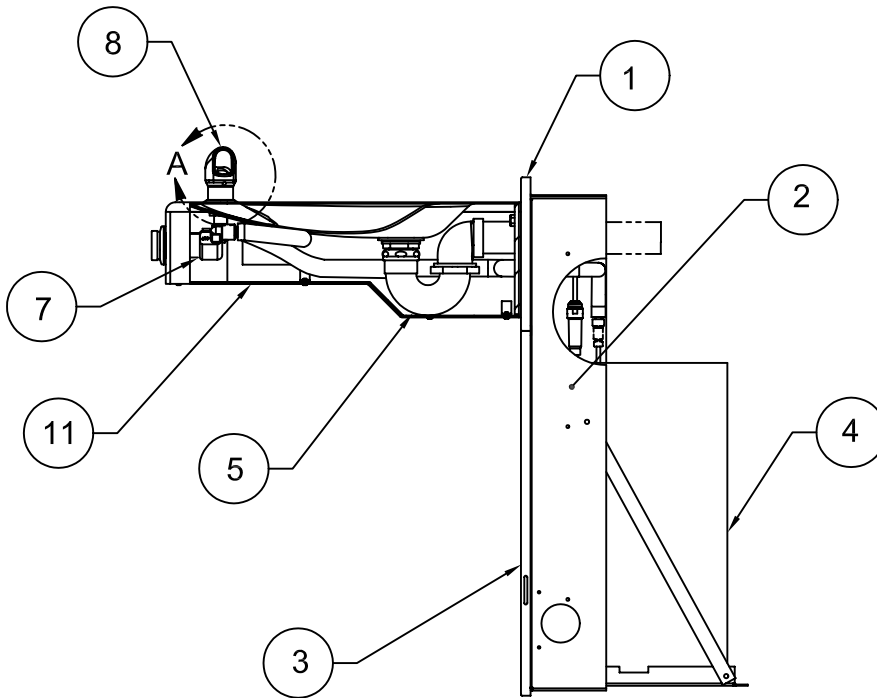
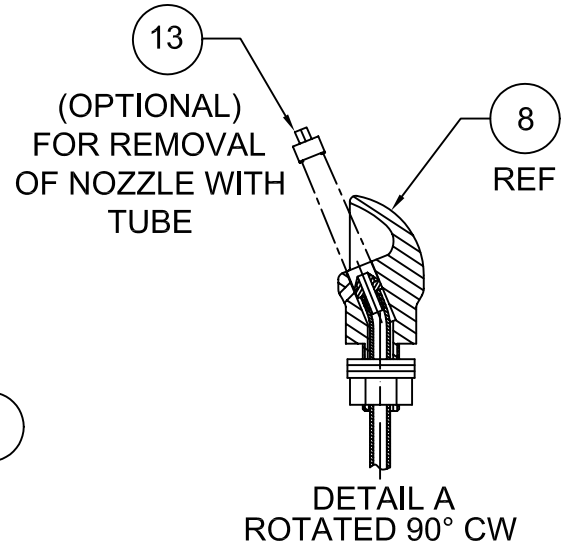



PARTS BREAKDOWN

ITEM	DESCRIPTION
1	BACK PANEL BP7
2	MOUNTING FRAME MTGFR.7
3	GRILLE 1107L P/N 0002626550
4	REMOTE CHILLER HCR8
5	TRAP 0005982900
6	BUTTON PBA6
7	VALVE 5874SS
8	BUBBLER HEAD 5703M
9	STRAINER ASSY 6462
10	SPANNER WRENCH P/N 0006983506
11	BOTTOM PLATE PBM1107
12	KEY HEX F/PINNED HEX 0002981127
13	DRIVER, NOZZLE .25 HEX 0002082253



OPTIONAL



 Haws [®]		1455 KLEPPE LANE SPARKS, NEVADA 89431 (775) 359-4712 FAX (775) 359-7424 E-MAIL: HAWS@HAWSO.COM WEBSITE: WWW.HAWSO.COM	
		ECN NO. REVISED PER BY: MODEL(S) ECN: 4003 HM H1107.8	PART NUMBER: 0002080221
DRAWN: DATE: CHK'D: C. FENNER 10/25/06	APPROVED: DATE:	DRAWING NO.: REV. 15270A00 10	SCALE: 1:1 DRAWING TYPE: PARTS BREAKDOWN SIZE: A SHEET 1 OF 1

WHEN ORDERING PARTS PLEASE SPECIFY YOUR MODEL NUMBER