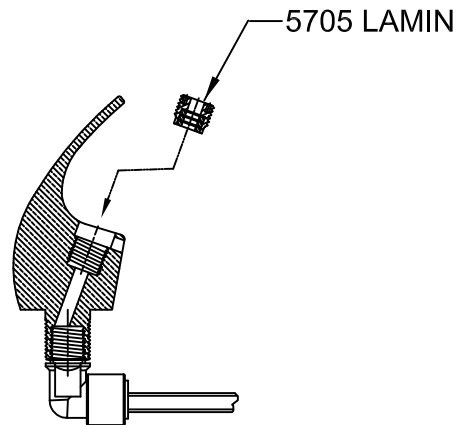
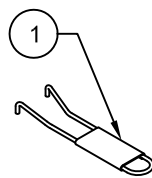
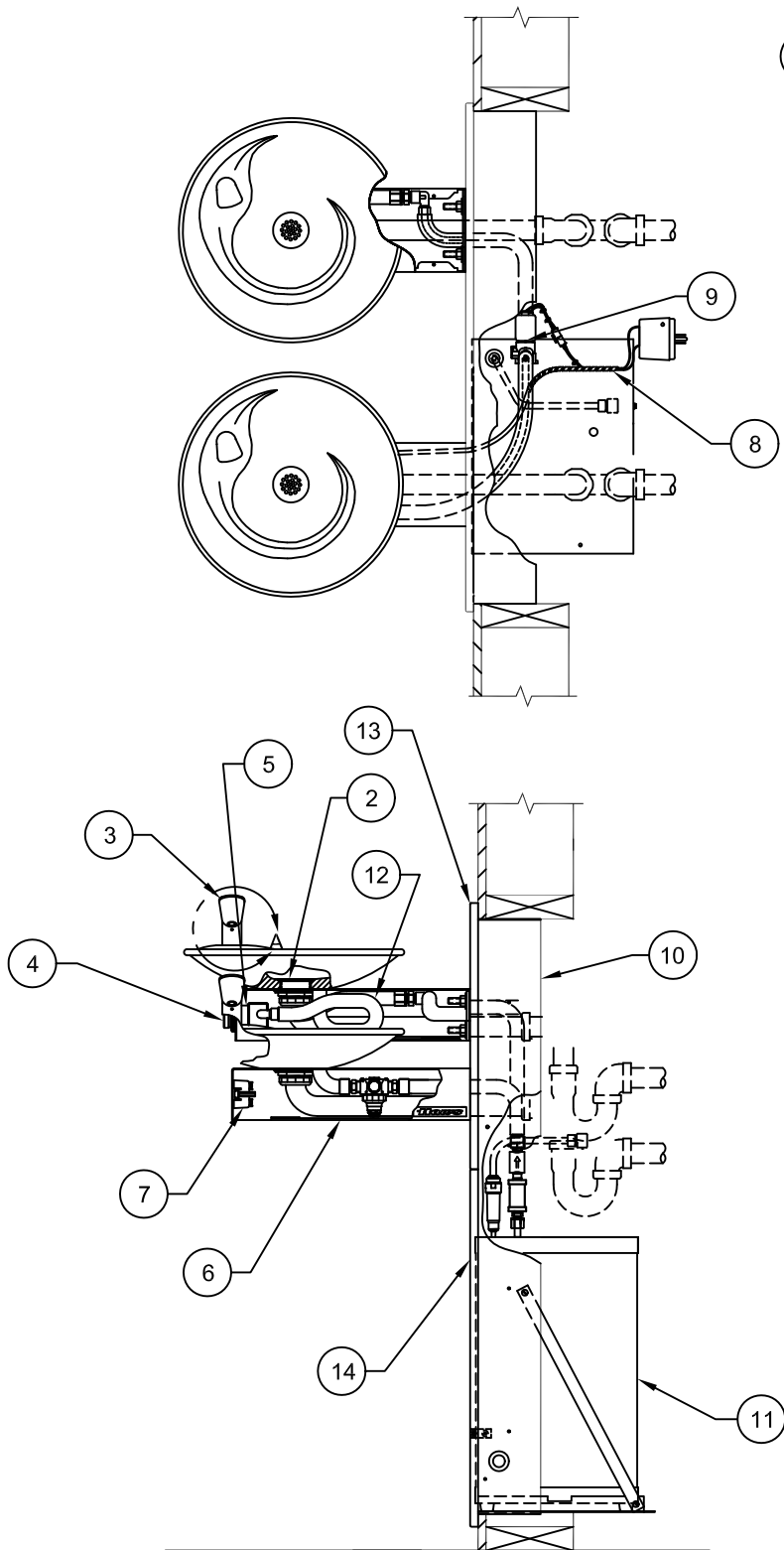
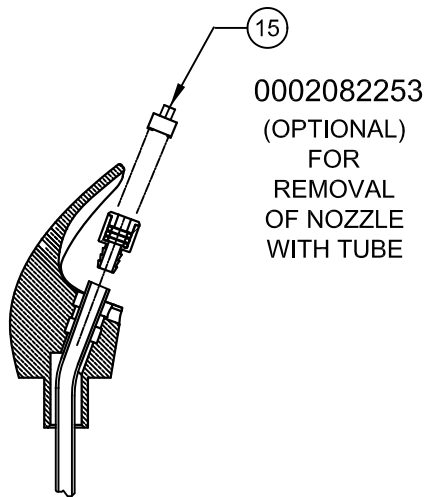


PARTS BREAKDOWN

| ITEM | DESCRIPTION |
|------|--|
| 1 | SPANNER WRENCH P/N 0006983506 |
| 2 | STRAINER ASSY 6463 |
| 3 | BUBBLER HEAD W/INSERT 5705 (STYLE A OR STYLE B) |
| 4 | PUSH BUTTON ASSY PBA6 |
| 5 | VALVE, 5874SS |
| 6 | ACCESS PLATE PBM1000 |
| 7 | SENSOR VRKH01 |
| 8 | WIRING HARNESS VRKH02 |
| 9 | SOLENOID VRKH03 |
| 10 | MOUNTING FRAME MTGFR.LG |
| 11 | CHILLER HCR8 |
| 12 | PRESSURE REGULATOR 5867 |
| 13 | BACK PANEL 0004012000 |
| 14 | GRILLE 0002626651 |
| 15 | DRIVER, NOZZLE .25 HEX 0002082253 |




STYLE A
(TUBING CONNECTS
TO ELBOW)



STYLE B
(TUBING CONNECTS TO
INSERT ASSY)

FOUNTAIN COULD HAVE EITHER STYLE

DETAIL A
ROTATED 90° INTO VIEW

| | | | | | |
|---|--|---|--|---|--------------------------|
|  | | Haws [®] | | 1455 KLEPPE LANE SPARKS, NEVADA 89431 (775) 359-4712 FAX (775) 359-7424 E-MAIL: HAWS@HAWSCO.COM WEBSITE: WWW.HAWSCO.COM | |
| | | ECN NO: _____ ECN: 4698 REVISION: _____ DATE: 10/21/08 BY: HM CHKD.: _____ | MODEL(S) H1011.8HO DRINKING FOUNTAIN | PART NUMBER: 0002080250 | DRAWING NO.: 13369C00 |
| WHEN ORDERING PARTS PLEASE SPECIFY YOUR MODEL NUMBER | | SCALE: 1/6 | DRAWING TYPE: PARTS BREAKDOWN | SIZE: A | SHEET 1 OF 1 |