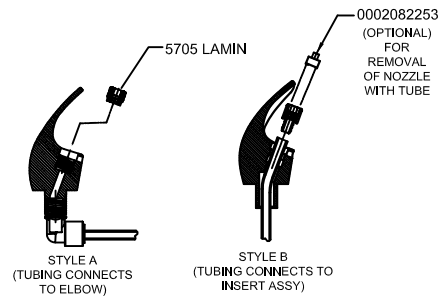
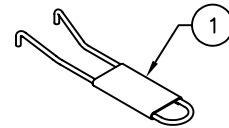
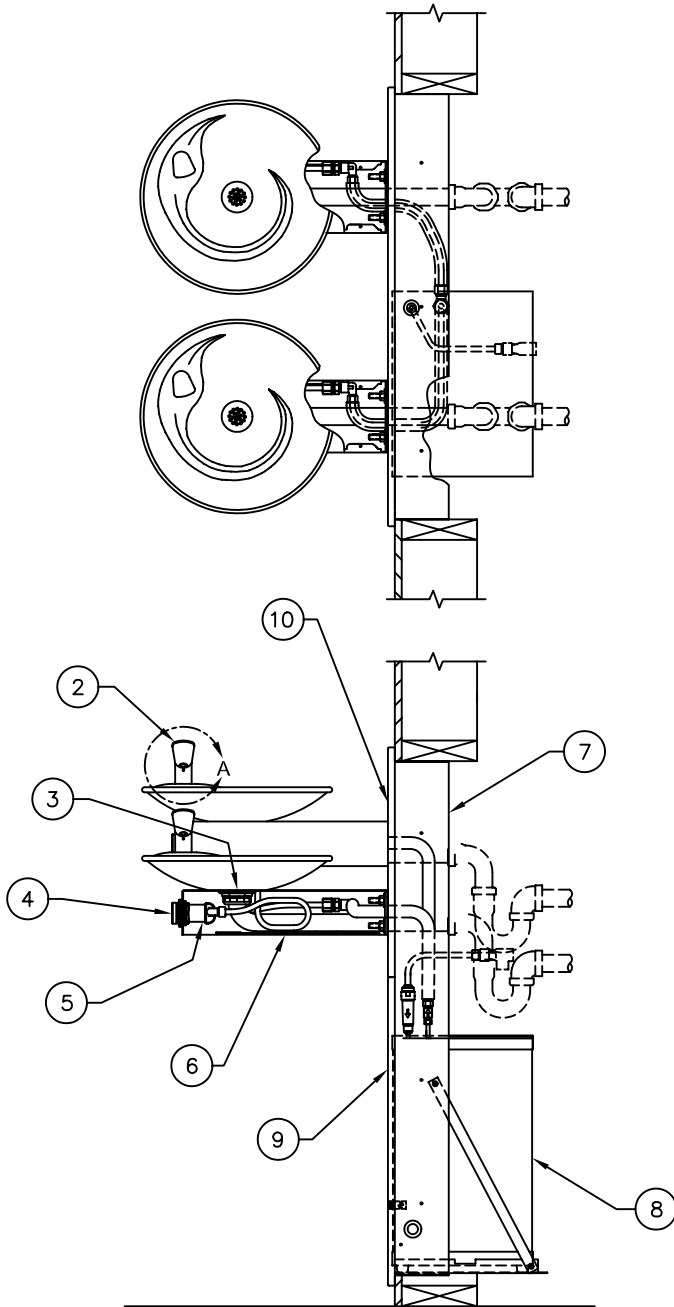


PARTS BREAKDOWN

ITEM	MODEL		DESCRIPTION
	H1011.8	H1011.8HPS	
1	0006983506	0006983506	SPANNER WRENCH
2	5705	5705	BUBBLER HEAD W/INSERT (STYLE A OR STYLE B)
3	6463	6463PCP	STRAINER ASSY
4	PBA6	PBA6	PUSH BUTTON ASSY
5	5874SS	5874SS	VALVE
6	PBM1000	PBM1000	ACCESS PLATE
7	MTGFR.LG	MTGFR.LG	MOUNTING FRAME
8	HCR8	HCR8	CHILLER
9	0002626651	0002626665	GRILLE
10	0004012000	0004012023	BACK PANEL



FOUNTAIN COULD HAVE EITHER STYLE

DETAIL A
ROTATED 90° INTO VIEW

		1455 KLEPPE LANE SPARKS, NEVADA 89431 (775) 359-4712 FAX (775) 359-7424 E-MAIL: HAWS@HAWSCO.COM WEBSITE: WWW.HAWSCO.COM	
		ECN NO: _____ ECN: 4175 REVISOR: HM DATE: 11/21/99 CHKD.: _____	MODEL(S) H1011.8/H1011.8HPS DRINKING FOUNTAIN
DRAWN: RTM APPROVED: _____		SCALE: 1/7 DRAWING TYPE: PARTS BREAKDOWN	DRAWING NO.: 13368C00 REV. 16

WHEN ORDERING PARTS PLEASE SPECIFY YOUR MODEL NUMBER