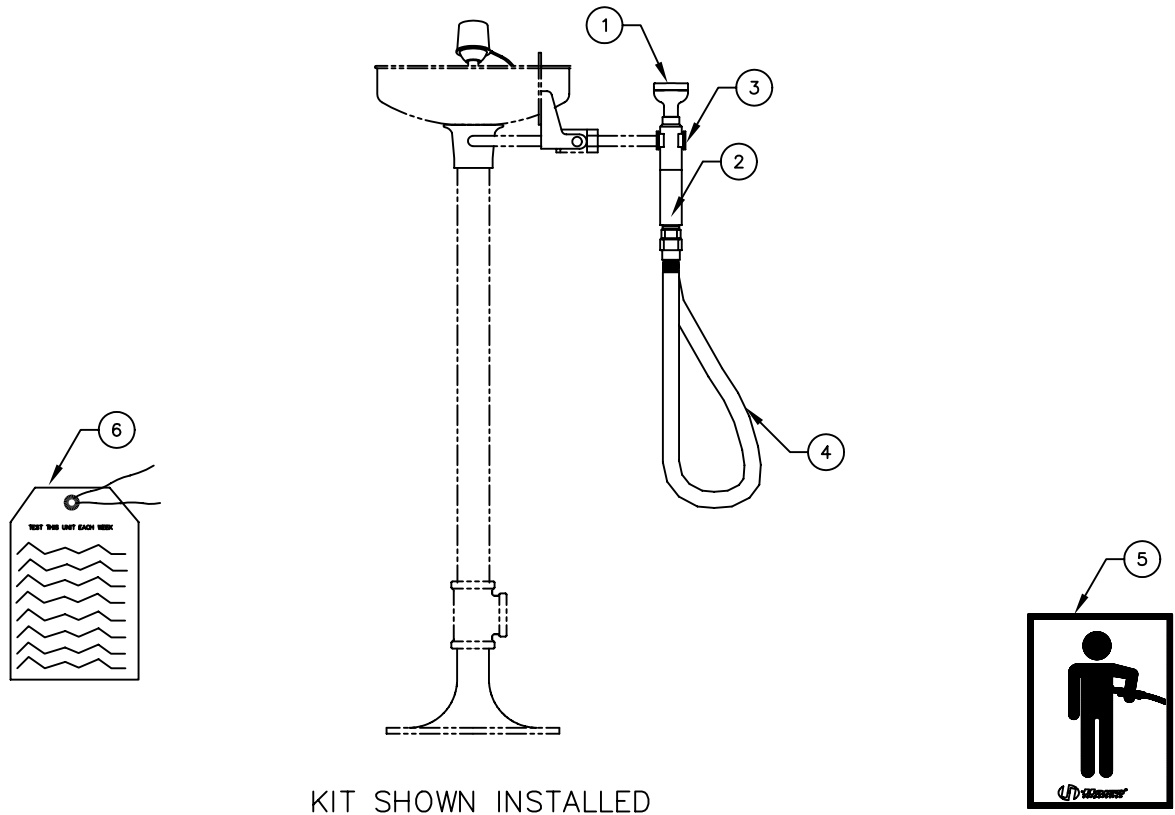


ITEM	DESCRIPTION
1	EYE/FACE WASH HEAD 0002974804
2	FLOW CONTROL
3	SP248 VALVE ASSEMBLY
4	SP140 HOSE ASSEMBLY
5	SP176 HOSE SPRAY SIGN
6	SP170 TEST TAG
-	VRK SP248 VALVE REPAIR KIT

PARTS BREAKDOWN



KIT SHOWN INSTALLED WITH PEDESTAL EYEWASH UNIT

REV	DESCRIPTION	ECN	DATE	BY/APVD
6	UPDATED PER ECN	4367	12/2/09	IR
REVISIONS				

WHEN ORDERING PARTS PLEASE SPECIFY YOUR MODEL NUMBER			1455 KLEPPE LANE SPARKS, NEVADA 89431 (775) 359-4712 FAX (775) 359-7424 E-MAIL: HAWS@HAWS.CO.COM WEBSITE: WWW.HAWS.CO.COM	
	DRAWN BY: CLF	DATE: 03/17/93	CHECK BY:	APPVD BY:
TITLE: 8901RFK BODY SPRAY RETROFIT KIT			PART NUMBER: 0002080192	
DRAWING TYPE: PARTS BREAKDOWN			DRAWING NUMBER: 11511C00	REV: 6