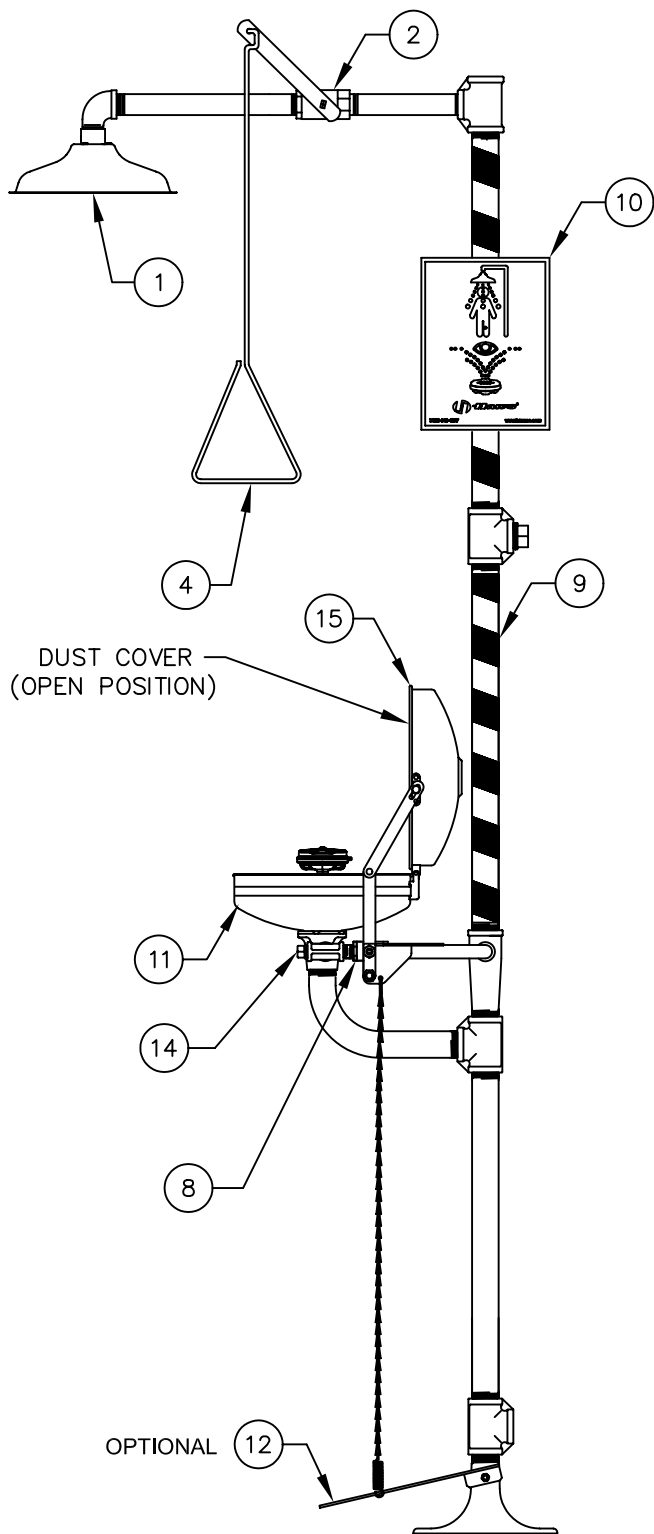
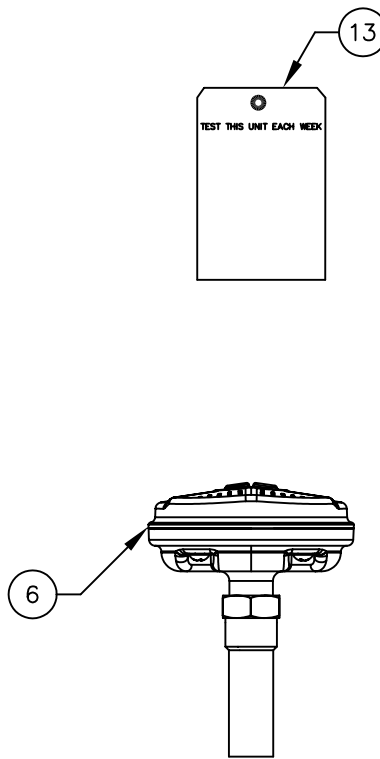


PARTS BREAKDOWN



OPTIONAL

ITEM	DESCRIPTION
1	SP829SS SHOWER HEAD
2	SP265 VALVE ASSEMBLY
3	-
4	SP200 PULL ROD
5	DELETED
6	SP65SS EYE/FACE WASH HEAD
7	DELETED
8	SP228 VALVE ASSEMBLY
9	SP185 STRIPE TAPE
10	SP178 SHOWER SIGN
11	SP90 BOWL
12	SP220SS FOOT TREADLE
13	SP170 TEST TAG
14	SP509SS L-STRAINER
15	9102 DUST COVER ASSEMBLY
16	DELETED



SP65SS EYE/FACE WASH ASSEMBLY

		1455 KLEPPE LANE SPARKS, NEVADA 89431 (775) 359-4712 FAX (775) 359-7424 E-MAIL: HAWS@HAWS.CO.COM WEBSITE: WWW.HAWS.CO.COM	
		ECN NO: REVISED PER BY: MODEL(S) ECN: 4351 IR 8330	PART NUMBER: 0002080174
DRAWN: C.J.L. DATE: 05/91 APPROVED: DATE:	SS SHOWER EYE/FACE WASH SCALE: 1/6 DRAWING TYPE: PARTS BREAKDOWN	DRAWING NO.: 11499C00 REV. 21	SIZE: A SHEET 1 OF 1

WHEN ORDERING PARTS PLEASE SPECIFY YOUR MODEL NUMBER