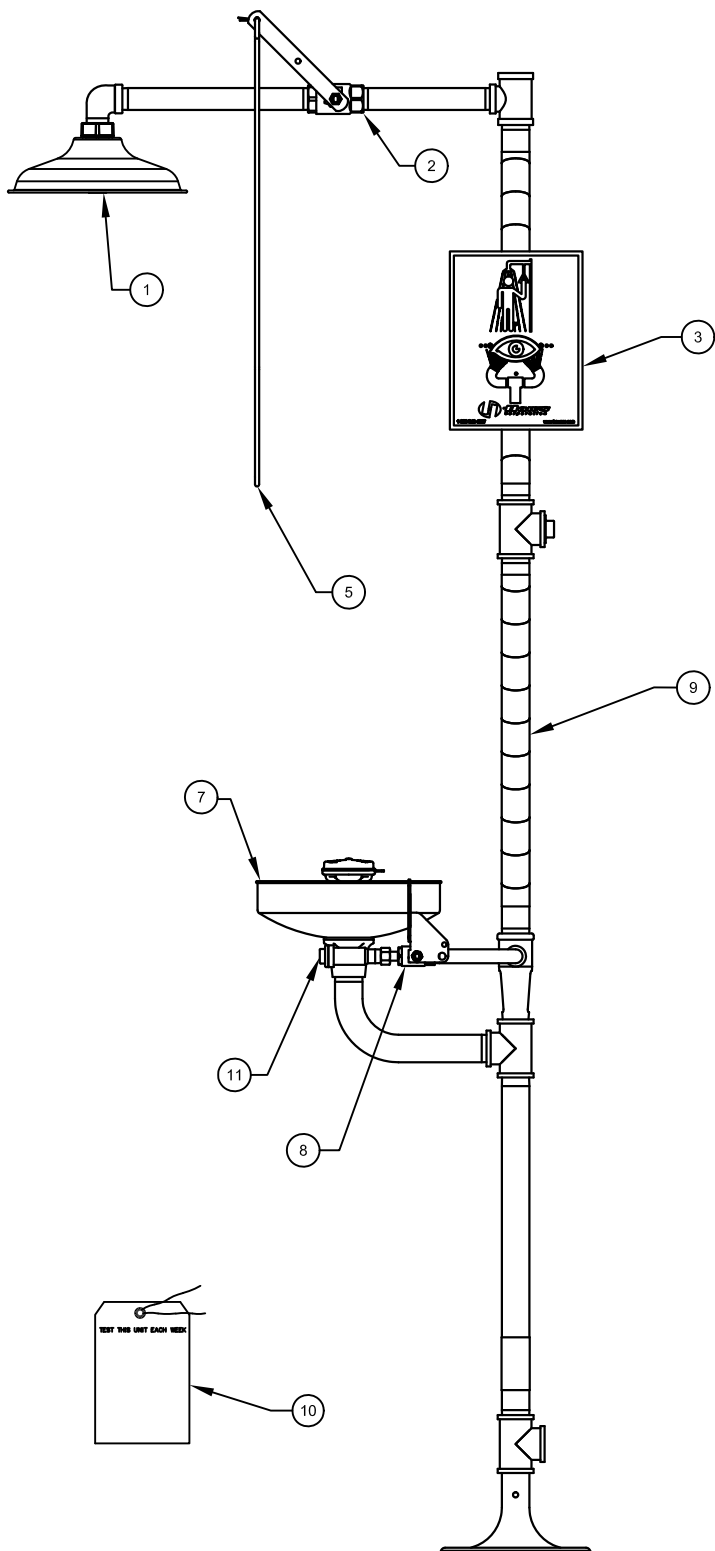
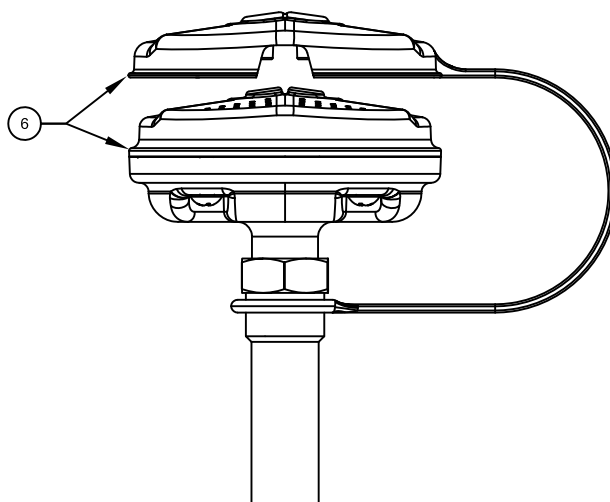


PARTS BREAKDOWN

OPTIONAL



| ITEM | DESCRIPTION | PART NO. |
|------|--------------------------|----------|
| 1 | SHOWER HEAD | SP829 |
| 2 | VALVE ASSEMBLY | SP260 |
| 3 | SHOWER SIGN | SP178 |
| 4 | FOOT TREADLE (NOT SHOWN) | SP220 |
| 5 | PULL ROD | SP200 |
| 6 | EYE/FACE WASH ASSY | SP65 |
| 7 | SS BOWL | SP90 |
| 8 | VALVE ASSEMBLY | SP225 |
| 9 | STRIPE TAPE | SP185 |
| 10 | TEST TAG | SP170 |
| 11 | L-STRAINER | SP509 |
| -- | STR. REPAIR KIT | VRKEWSTR |
| -- | EYEWASH ASSEMBLY | SP62FC |



SP65 EYE/FACE WASH ASSEMBLY

NOTE: MODEL 8300CRP/8309CRP HAS CORROSION RESISTANT COATING ON ALL EXPOSED PIPING.

WHEN ORDERING PARTS PLEASE SPECIFY MODEL NUMBER.

| | | | |
|----------------------------|------------------|---------------------------------------------------------------------------------------------------------------------------------------|---------------------------------------|
| | | 1455 KLEPPE LANE SPARKS, NEVADA 89431 (775) 359-4712 FAX (775) 359-7424 E-MAIL: HAWS@HAWS.CO.COM WEBSITE: WWW.HAWS.CO.COM | |
| | | ECN NO. REVISED PER BY ECN: 4621 HM | MODEL(S) 8300/8300CRP/8309/8309CRP |
| DRAWN CLF DATE 03/10/93 | APPROVED DATE | DRAWING NO. 11488C00 | REV 20 |
| SCALE: 1:1 | | DRAWING TYPE: PARTS BREAKDOWN | SIZE: A SHEET 1 OF 1 |